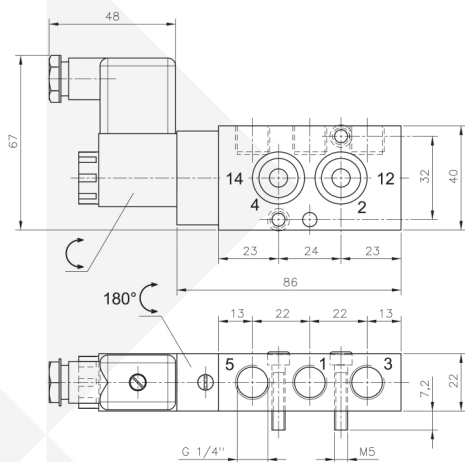
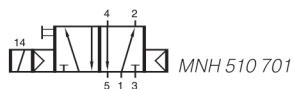


NAMUR VALVE

ACCESSORIES AND DEVICES

MNH 510 701



MNH 510 701

5/2-way solenoid valve actuated by permanent signal. Interface according to Namur standard.

MNH 510 701 with pneumatic spring return

Available with actuators:
230V/50Hz, 110V/50Hz, 24V/50Hz, 48V=,
24V=, 12V=.

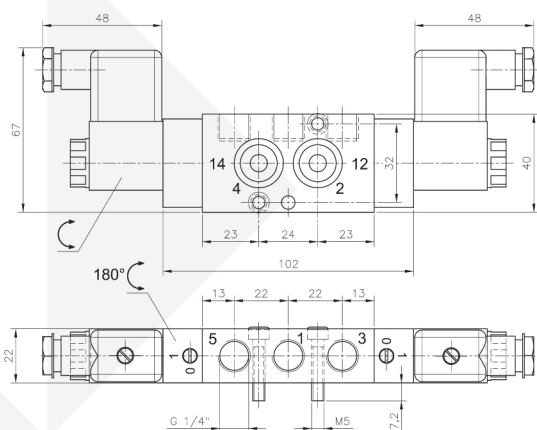
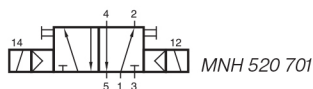
The valves are generally equipped with manual override to turn. If requested without manual override please order MN 51 _ _ _ _.

Also available with external pilot feed and mechanical spring return. If requested please order MENH 511 _ _ _ _ (add 3 digits for size).

Delivery includes 1 pin, 2 screws, 2 O-rings and 1 connector as shown on the photo.

Type	Port size	Air flow	Operating press.	Power consumption	Weight
MNH 510 701	G 1/4"	1250 l/min	1,5 - 10 bar	3 W = / 5 VA ~	0,27 kg

MNH 520 701



MNH 520 701

5/2-way solenoid valve actuated by impulse. Position is kept until next electrical signal even when not attached to electrical source. Interface according to Namur standard.

MNH generally with manual override to turn with actuators 230V/50Hz, 110V/50Hz, 24V/50Hz, 48V=, 24V=, 12V=.
Delivery includes 1 pin, 2 screws, 2 O-rings and 1 connector.

Type	Namur	Port size	Air flow	Operating press.	Power cons.	Weight
MNH 520 701	1/4"	G 1/4"	1250 l/min	2 - 10 bar	3 W = / 5 VA ~	0,35 kg



VALBIA



A.P.S. CONTROL CO., LTD., THAILAND

7 SOI ON-NUCH 62 SUKHUMVIT 77 RD. ON-NUCH SUANLUANG BANGKOK 10250 WWW.APSCONTROL.CO.TH

Tel: 0 2721 1800 (Auto) Fax: 0 2721 1791 E-mail: sales@apscontrol.co.th Line ID: aps.sales Tax.ID: 010-55430-20618

Note: We are engineering partner as a total system solution provider, VALBIA manufactures a range of components to ensure cost effective and reliable about quarter-turn actuators. As a comprehensive solution provider, We have great quality control procedures. The calculate various system designs and can work together perfectly. Finally we are fully committed to maintaining environment quality together.

VALBIA S.R.L., ITALY & **HAFNER-PNEUMATIK KRÄMER KG.**, GERMANY

Note: Only excellence allows to compete in the international market. The challenge can be faced thanks to the passion and the energy of the researchers, who plan and manufacture avant-garde quality and technology, a team which is perfectly integrated for providing total, customer satisfaction; we are ready!

To ensure the quality and technical standards at the highest level, the manufacturer reserves the right to alter the specifications without notice. This documentation supersedes and replaces all previous editions. / Hafner-Pneumatik is the manufacturer of a complete range of high-quality pneumatic control valves made in Europe.

THE VALBIA & HAFNER ACCESSORIES © 2019 Valbia. All Rights Reserved.