



# PILOT VALVE ENCLOSURES FOR NON-HAZARDOUS LOCATIONS



# GOYEN - NEMA4/RAINTIGHT/ATEX II 3 D G DIECAST PILOT VALVE ENCLOSURES (5, 8, 12 VALVE) FOR NON-HAZARDOUS LOCATIONS

PRODUCT LEAFLET

## DIECAST ALUMINIUM ENCLOSURES FOR GOYEN RCA3D PILOT VALVES



3-5 V Enclosure



3-8 V Enclosure



3-12 V Enclosure

For reliable operation, ensure supply voltage is within -10% and +15% of rated solenoid voltage.

To guarantee NEMA4 performance ensure gasket is in place when attaching lid to enclosure base. Replace components within 1 million cycles (refer to Spare Parts).

### CONSTRUCTION

**Body:** Aluminium (diecast)  
**Pilot Body:** Aluminium (diecast)  
**Ferrule:** 305 SS  
**Armature:** 430FR SS  
**Seals:** Nitrile  
**Screws:** 302 SS or 304 SS  
**Clip:** Mild steel (plated)

### SPARE PARTS

K0380 Nitrile replacement seal, armature, spring & ferrule kit.  
 K0384 As above in viton.  
 RCA3D0-\*\*\* } Replacement pilot assemblies.  
 RCA3D1-\*\*\* } Refer to page 3 of RCA3 Solenoid Pilot Valves brochure.

### OPERATION

**Recommended on time range:** 50-500 ms  
**Recommended time between pulses:** 1 minute or greater

### OPTIONS

- Heater, see order code below
- Anti-condensation heater, see order code below

### APPROVALS

- C-Tick
- CE - EMC (2004/108/EC) and LV (2006/95/EC)
- CSA
- UL Listed J&P 42V8
- ATEX Ex II 3 D G

Approvals do not apply when heaters or slave cards are installed.

### PRODUCT PERFORMANCE

FLOW	MAXIMUM WORKING PRESSURE	MINIMUM WORKING PRESSURE	TEMPERATURE MIN	TEMPERATURE MAX	FLUID MEDIA
0.32 Cv/ 0.27 Kv	860 kPa/ 125 psi	0 kPa/0 psi	-40°C/-40°F	82°C/180°F	Air or inert gas

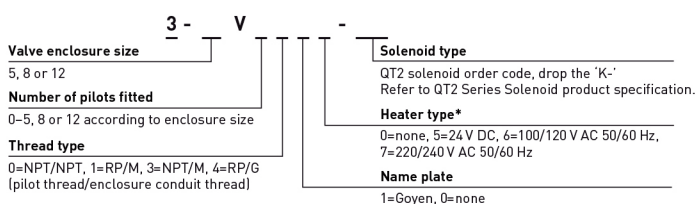
### SUITABLE FOR

ATEX Category Ex II 3 GD and IP65 and all other non-hazardous applications, for piloting Goyen diaphragm valves.

### INSTALLATION

Ensure device is disconnected from power before opening the enclosure. These enclosures are all finished with the common solenoid terminals pre-wired.

### ANTI-CONDENSATION HEATER, SEE ORDER CODE BELOW



Note that enclosures are pre-wired with QT2 type solenoids only.  
 \* = heaters currently not available in 3-5V5 enclosures.

### EXAMPLE

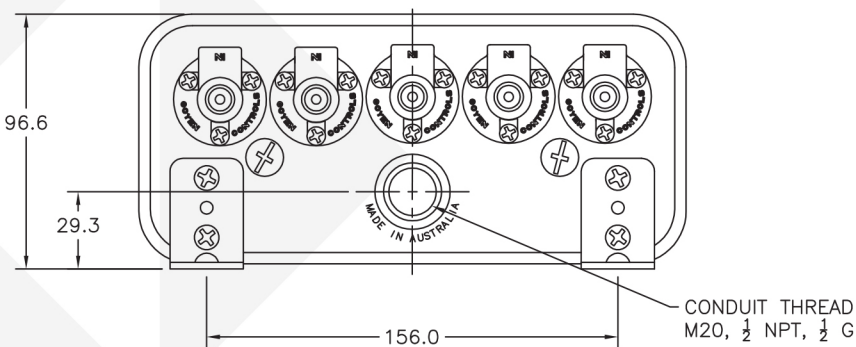
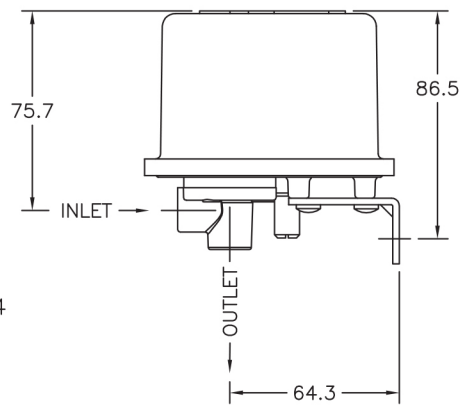
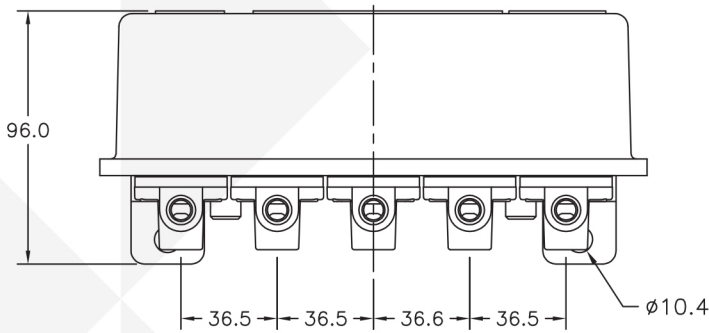
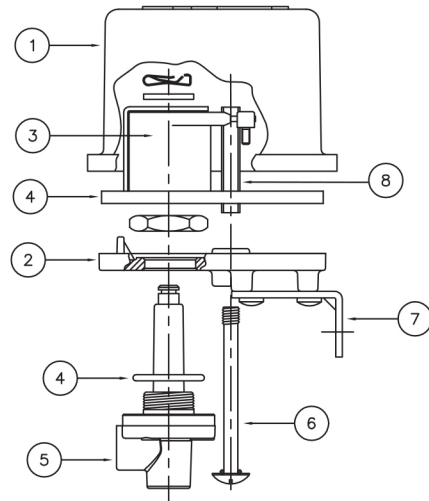
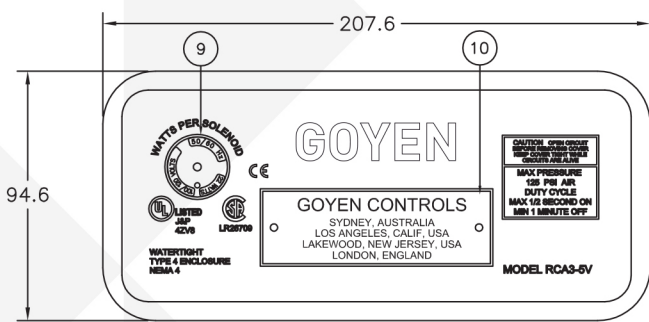
3-8V6010-330  
 8 valve enclosure, fitted with 6 pilots, with NPT pilot and conduit thread type, Goyen name plate, no heater and 220/240 V AC 50/60 Hz solenoids.



# GOYEN - NEMA4/RAINTIGHT/ATEX II 3 D G DIECAST PILOT VALVE ENCLOSURES (5, 8, 12 VALVE) FOR NON-HAZARDOUS LOCATIONS

PRODUCT LEAFLET

## DIMENSIONS AND WEIGHTS IN MM



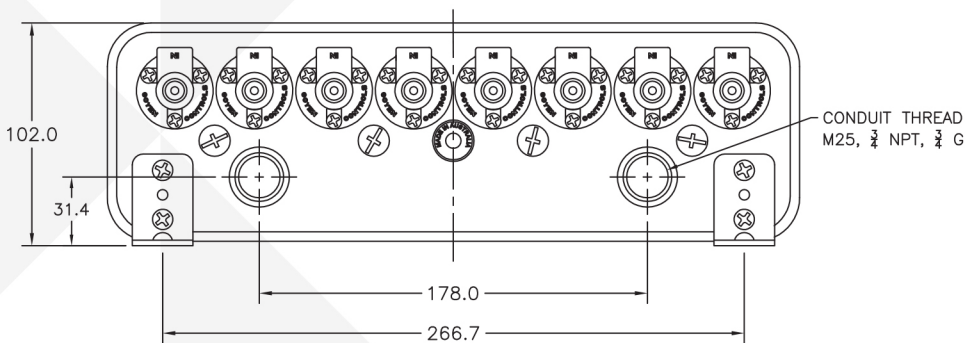
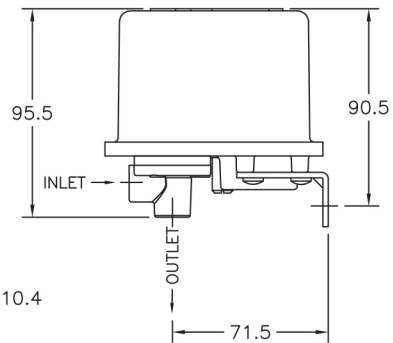
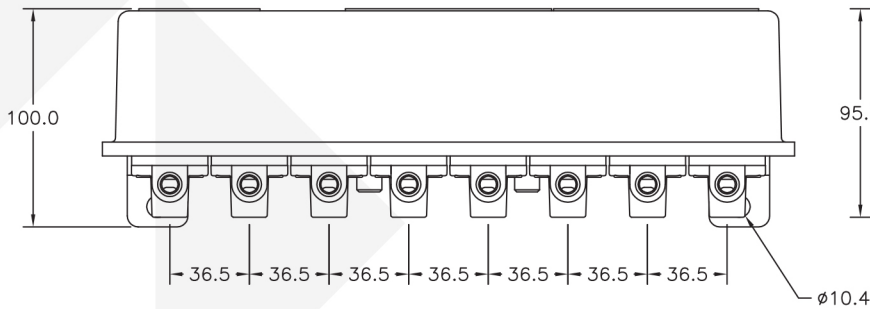
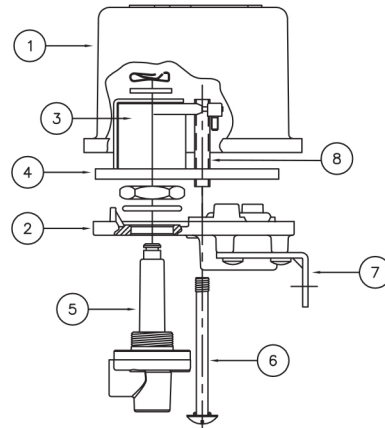
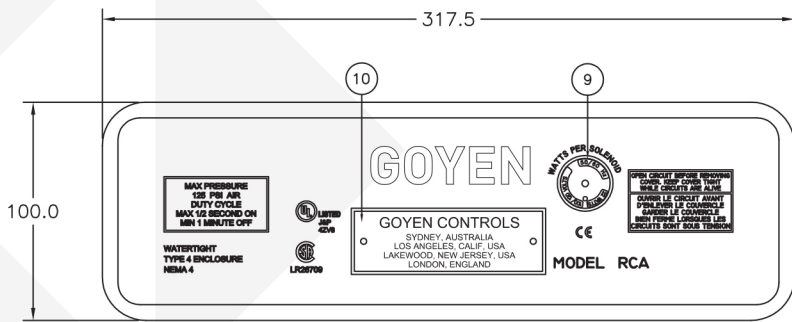
### 3-5V5 Series

Mass = 0.814 kg + 0.174 kg per valve pilot fitted  
 (1.795 lb + 0.384 lb per pilot valve fitted)



# GOYEN - NEMA4/RAINTIGHT/ATEX II 3 D G DIECAST PILOT VALVE ENCLOSURES (5, 8, 12 VALVE) FOR NON-HAZARDOUS LOCATIONS

PRODUCT LEAFLET



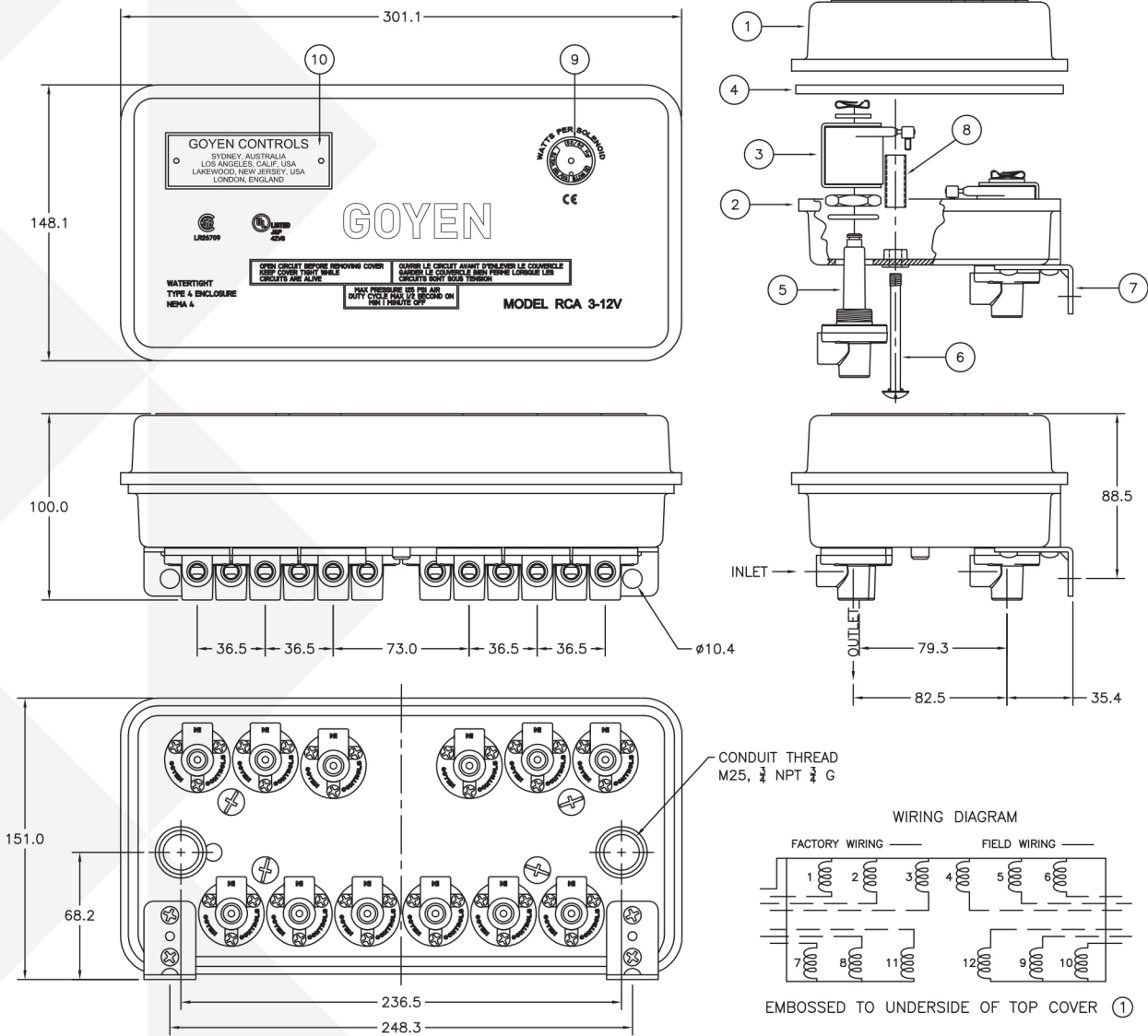
### 3-8V8

Mass = 1.280 kg + 0.174 kg per pilot valve fitted  
 (2.820 lb + 0.384 lb per pilot valve fitted)



# GOYEN - NEMA4/RAINTIGHT/ATEX II 3 D G DIECAST PILOT VALVE ENCLOSURES (5, 8, 12 VALVE) FOR NON-HAZARDOUS LOCATIONS

PRODUCT LEAFLET



### 3-12V12

Mass = 1.574 kg + 0.174 kg per pilot valve fitted  
 (3.470 lb + 0.384 lb per pilot valve fitted)



**A.P.S. CONTROL CO., LTD.**, THAILAND

7 SOI ON-NUCH 62 SUKHUMVIT 77 RD. ON-NUCH SUANLUANG BANGKOK 10250 WWW.APSCONTROL.CO.TH

Tel: 0 2721 1800 (Auto) Fax: 0 2721 1791 E-mail: sales@apscontrol.co.th Line ID: aps.sales Tax.ID: 010-55430-20618

Note: We are engineering partner as a total system solution provider, GOYEN manufactures a range of components to ensure cost effective and reliable cleaning system design, installation and operation within a reverse pulse filter. Within a reverse pulse filter the overall cleaning efficiency and long term performance of the bags or cartridges are critically dependent upon to control of the cleaning air into the individual filter bag or cartridge. GOYEN products are produced to exacting tolerances and quality standards to ensure their effectiveness within any reverse pulse filter. As a comprehensive solution provider, We have great quality control procedures. The calculate various system designs and can work together perfectly. Finally we are fully committed to maintaining environment quality together.

**GOYEN CONTROLS PTY LIMITED**, AUSTRALIA

Note: The information and data contained in this document are based on our general experience and are believed to be correct. They are given in good faith and are intended to provide a guideline for the selection and use of our products. Since the conditions under which our products may be used are beyond our control, this information does not imply any guarantee of final product performance and we cannot accept any liability with respect to the use of our products. The quality of our products is guaranteed under our conditions of sale. Existing industrial property rights must be observed.

THE GOYEN PILOT VALVES ENCLOSURES FOR NON-HAZARDOUS LOCATION © 2017 Goyen. All Rights Reserved.