



RCA3

# SOLENOID PILOT VALVES



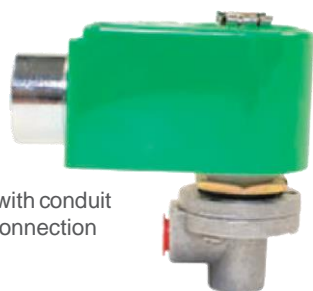
# GOYEN-RCA3 SOLENOID PILOT VALVES

PRODUCT LEAFLET

## RCA3D - REMOTE SOLENOID PILOT VALVE TO CONTROL THE ACTUATION OF DUST COLLECTOR DIAPHRAGM VALVES



RCA3D with flying lead connection



RCA3D with conduit entry connection



RCA3D with spade connection



RCA3D with DIN43650A connection

### SUITABLE FOR

All Goyen dust collector diaphragm valves.

### INSTALLATION

Prepare pilot mounting hole in panel to Ø 19.3/19.4 (Ø 0.760"). Panel thickness must exceed 1.5 mm (0.062"). Ensure o-ring is in place before tightening locknut. Preferably, install pilot valves with solenoid on top. For reliable operation, ensure supply voltage is within -10% and +15% of rated solenoid voltage. Replace components within 1 million cycles (refer to Spare Parts).

### CONSTRUCTION

**Body:** Aluminium (diecast)  
**Ferrule:** 305 SS  
**Armature:** 430FR SS  
**Seals:** Nitrile or Viton  
**Locknut:** Mild steel zinc passivated  
**Screws:** 302 SS or 304 SS  
**Clip:** Mild steel (plated)

### DIMENSIONS AND WEIGHTS IN MM AND INCHES

SERIES	WEIGHT
RCA3D0, RCA3D1 (no solenoid)	0.174 kg/0.384 lb

### PRODUCT PERFORMANCE

FLOW	MAXIMUM WORKING PRESSURE	MINIMUM WORKING PRESSURE	TEMPERATURE MIN	TEMPERATURE MAX	FLUID MEDIA
0.32 Cv/ 0.27 Kv	860 kPa/ 125 psi	0 kPa/0 psi	-40°C/-40°F	82°C/180°F	Air or inert gas

### ORDER CODE\*

MODEL	THREAD TYPE	ORIFICE SIZE
RCA3D0-...	1/8" NPT	3.2 mm (0.126")
RCA3D1-...	1/8" BSPP	3.2 mm (0.126")

### OPERATION

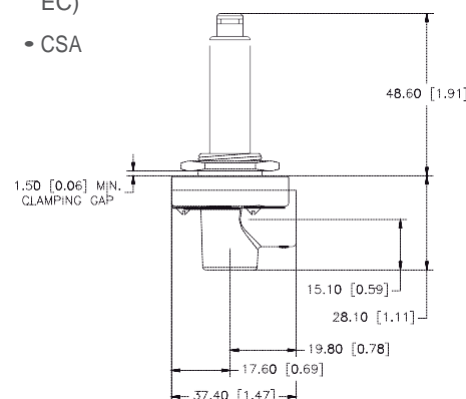
**Recommended on time range:** 50–500 ms  
**Recommended time between pulses:** 1 minute or greater

### OPTIONS

None

### APPROVALS

- C-Tick
- CE – EMC (2004/108/EC) and LV (2006/95/EC)
- CSA



### SPARE PARTS

- K0380 Nitrile replacement seal, armature, spring & ferrule kit.
- K0384 As above in viton.

\* Please refer to Q Series Solenoid product data sheet on page 3 for information on electrical characteristics and to complete the order code, e.g. 1 8" NPT pilot valve with 240 VAC solenoid = RCA3D0-300



# GOYEN-RCA3

## SOLENOID PILOT VALVES

PRODUCT LEAFLET

### ORDER CODE AND ELECTRICAL CHARACTERISTICS

#### RCA3D1 Series = 1/8" BSPP

MODEL	CONNECTION TYPE	PROTECTION CLASS	VOLTAGE	POWER
RCA3D1-300	DIN 43650A	IP64	200/240 V 50/60 Hz	17.4/22.6 V A
RCA3D1-301	DIN 43650A	IP64	100/120 V 50/60 Hz	15.2/19.7 V A
RCA3D1-302	DIN 43650A	IP64	24 V 50/60 Hz	23.1/17.2 V A
RCA3D1-303	DIN 43650A	IP64	110 V DC	24 W
RCA3D1-304	DIN 43650A	IP64	48 V DC	20 W
RCA3D1-305	DIN 43650A	IP64	24 V DC	20 W
RCA3D1-306	DIN 43650A	IP64	12 V DC	20 W
RCA3D1-310	Conduit (M20 x 1.5)	IP31	200/240 V 50/60 Hz	17.4/22.6 V A
RCA3D1-311	Conduit (M20 x 1.5)	IP31	100/120 V 50/60 Hz	15.2/19.7 V A
RCA3D1-312	Conduit (M20 x 1.5)	IP31	24 V 50/60 Hz	23.1/17.2 V A
RCA3D1-313	Conduit (M20 x 1.5)	IP31	24 V DC	20 W
RCA3D1-314	Conduit (M20 x 1.5)	IP31	12 V DC	20 W
RCA3D1-320	Conduit (1/2" NPSC)	IP31	200/240 V 50/60 Hz	17.4/22.6 V A
RCA3D1-321	Conduit (1/2" NPSC)	IP31	100/120 V 50/60 Hz	15.2/19.7 V A
RCA3D1-322	Conduit (1/2" NPSC)	IP31	24 V 50/60 Hz	23.1/17.2 V A
RCA3D1-323	Conduit (1/2" NPSC)	IP31	24 V DC	20 W
RCA3D1-324	Conduit (1/2" NPSC)	IP31	12 V DC	20 W
RCA3D1-330	Screw / spade	NA	200/240 V 50/60 Hz	17.4/22.6 V A
RCA3D1-331	Screw / spade	NA	100/120 V 50/60 Hz	15.2/19.7 V A
RCA3D1-332	Screw / spade	NA	24 V 50/60 Hz	23.1/17.2 V A
RCA3D1-333	Screw / spade	NA	240 V DC	24 W
RCA3D1-334	Screw / spade	NA	110 V DC	24 W
RCA3D1-335	Screw / spade	NA	48 V DC	20 W
RCA3D1-336	Screw / spade	NA	24 V DC	20 W
RCA3D1-337	Screw / spade	NA	12 V DC	20 W
RCA3D1-340	Flying Lead	IP64	200/240 V 50/60 Hz	17.4/22.6 V A
RCA3D1-341	Flying Lead	IP64	100/120 V 50/60 Hz	15.2/19.7 V A
RCA3D1-342	Flying Lead	IP64	24 V 50/60 Hz	23.1/17.2 V A
RCA3D1-343	Flying Lead	IP64	24 V DC	20 W
RCA3D1-344	Flying Lead	IP64	12 V DC	20 W

**Note:** RCA3D1-331 is an RCA3D remote pilot with 1 8" BSPP threads and 110/240 V AC spade screw coil.



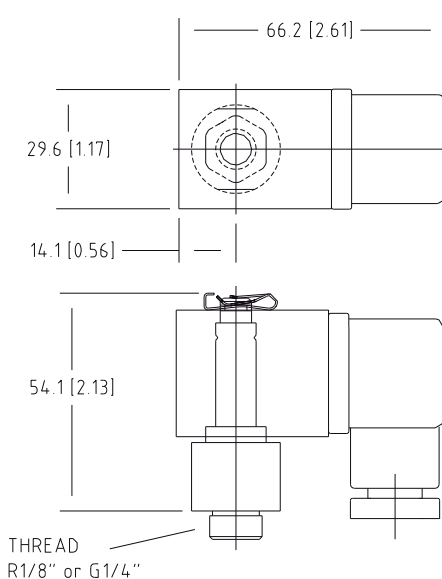
# GOYEN-RCA3 SOLENOID PILOT VALVES

PRODUCT LEAFLET

## RCA3PV/3PV2-PILOTVALVE



### DIMENSIONS IN MM (AND INCHES)



### FOR INTEGRAL PILOT (CA) APPLICATIONS

The RCA3PV pilot is another option for integral pilot (CA) applications. The RCA3PV pilot is a screw-in pilot available in 1/8" and 1/4" port sizing.

RCA3DM and RCA3PV are suitable piloting options for all 4 Series valves and the RCA35T diaphragm valve.

### COIL CONSTRUCTION

**Encapsulation:** Nylon  
**Insulation class:** H /180°C  
**IP Rating:** IP65  
**Rating:** Non-continuous use only  
**Clip:** Mild steel (mechanically plated))

### OPERATION

**Recommended on time range:** 50–500 ms  
**Recommended time between pulses:**  
1 minute or greater

### APPROVALS

• CE–LV (2006/95/EC)–ROHS (2002/95/CE)

### SPARE PARTS

No pilot valve overhaul kits are available for the RCA3PV pilot; however, coil kits are available as listed below:

- K0203 – Dual rating: 110 V DC 18 W or 220/240 V 50/60 Hz – kit includes coil, stabilus clip and washer.
- K0204 – Dual rating: 48 V DC 18 W or 115 V 50/60 Hz – kit includes coil, stabilus clip and washer.
- K0205 – Dual rating: 24 V DC 18 W or 48 V 50/60 Hz – kit includes coil, stabilus clip and washer.
- K0206 – Dual rating: 12 V DC 18 W or 24 V 50/60 Hz – kit includes coil, stabilus clip and washer.



# GOYEN-RCA3 SOLENOID PILOT VALVES

PRODUCT LEAFLET

## RCA3PV/3PV2-HOWTOORDER

**RCA 3 PV 2 - 2 0 5**

<p><b>Valve type</b> RCA – Pilot valve – Remote-controlled air</p> <p><b>Pilot size</b> 3 – 1/8" Pipe thread</p> <p><b>Body style</b> PV – Male inlet, suits all RCA and RCAC main valves</p> <p><b>Thread type</b> Blank – R1/8" thread 2 – G1/4" thread</p>	<p><b>Voltage options</b></p> <p>3 Dual rating: 110 V DC 18 W or 220/240 V 50/60 Hz 46/37 VA</p> <p>4 Dual rating: 48 V DC 18 W or 115 V 50/60 Hz 63/53 VA</p> <p>5 Dual rating: 24 V DC 18 W or 48 V 50/60 Hz 41/32 VA</p> <p>6 Dual rating: 12 V DC 18 W or 24 V 50/60 Hz 38/31 VA</p> <p><b>Coil connection</b> 0 – Square DIN connector</p> <p><b>Coil series</b> 2 – DIN 43650 Form B connection</p>
---	---

**RCA3PV 2 - 203**

<p><b>Valve type</b> Remote Pilot valve</p> <p><b>Pilot size</b> Blank – 1/8" 2 – 1/4" thread</p>	<p><b>Coil series</b> Blank – Pilot only 203 } 204 } See table below for coil code. 205 } 206 }</p>
---	---

## PRODUCT PERFORMANCE

FLOW	MAXIMUM WORKING PRESSURE	MINIMUM WORKING PRESSURE	TEMPERATURE MIN.	TEMPERATURE MAX.	FLUID MEDIA
0.28 Cv/0.24 Kv	860 kPa/125 psi	0 kPa/0 psi	-40°C/-40°F	82°C/180°F	Air or inert gas

## ELECTRICAL CHARACTERISTICS

DIN SOCKET CONNECTOR	Pg9 connection (cable entry)
DIN SOCKET SPECIFICATION	EN175301 - 803 (previously DIN 43650A) / A/ISO 4400
DIN SOCKET OPTIONAL	94/9/CE ATEX II 3GD T6
ISOLATION CLASS DIN SOCKET	VDE 0110 - 1/89
DIN SOCKET PROTECTION	IP65 EN60529

MODEL	TYPE	CONNECTION TYPE	PROTECTION CLASS	VOLTAGE	POWER	COLOUR
206	SB4	DIN 43650A	IP65	12 V DC (max. +10% supply)	18 W	Black
205	SB4	DIN 43650A	IP65	24 V DC (max. +10% supply)	18 W	Black
204	SB4	DIN 43650A	IP65	48 V DC (max. +10% supply)	18 W	Black
203	SB4	DIN 43650A	IP65	110 V DC (max. +10% supply)	18 W	Black
206	SB4	DIN 43650A	IP65	24 V 50/60 Hz (max. +10% supply)	38/31 VA	Black
205	SB4	DIN 43650A	IP65	48 V 50/60 Hz (max. +10% supply)	41/32 VA	Black
204	SB4	DIN 43650A	IP65	110/127 V 50/60 Hz (max. +10% supply)	63/53 VA	Black
203	SB4	DIN 43650A	IP65	220/240 V 50/60 Hz (max. +10% supply)	46/37 VA	Black



**A.P.S. CONTROL CO., LTD., THAILAND**

7 SOI ON-NUCH 62 SUKHUMVIT 77 RD. ON-NUCH SUANLUANG BANGKOK 10250 WWW.APSCONTROL.CO.TH

Tel: 0 2721 1800(Auto) Fax: 0 2721 1791 E-mail: sales@apscontrol.co.th Line ID: aps.sales Tax.ID: 010-55430-20618

Note: We are engineering partner as a total system solution provider, GOYEN manufactures a range of components to ensure cost effective and reliable cleaning system design, installation and operation within a reverse pulse filter. Within a reverse pulse filter the overall cleaning efficiency and long term performance of the bags or cartridges are critically dependent upon to control of the cleaning air into the individual filter bag or cartridge. GOYEN products are produced to exacting tolerances and quality standards to ensure their effectiveness within any reverse pulse filter. As a comprehensive solution provider, We have great quality control procedures. The calculate various system designs and can work together perfectly. Finally we are fully committed to maintaining environment quality together.

**GOYEN CONTROLS PTY LIMITED, AUSTRALIA**

Note: The information and data contained in this document are based on our general experience and are believed to be correct. They are given in good faith and are intended to provide a guideline for the selection and use of our products. Since the conditions under which our products may be used are beyond our control, this information does not imply any guarantee of final product performance and we cannot accept any liability with respect to the use of our products. The quality of our products is guaranteed under our conditions of sale. Existing industrial property rights must be observed.

THE GOYEN FLANGED VALVES / FS-SERIES © 2017 Goyen. All Rights Reserved.