



# GOYEN - ECS/ECX SERIES

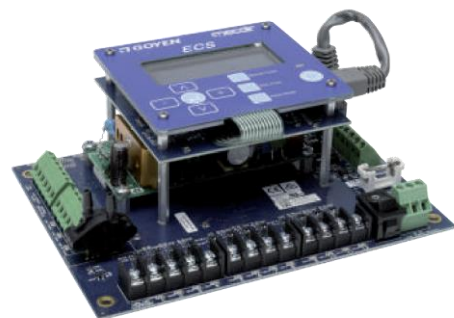
## ECS CONTROL SYSTEM

### PRODUCT LEAFLET

#### DESCRIPTION

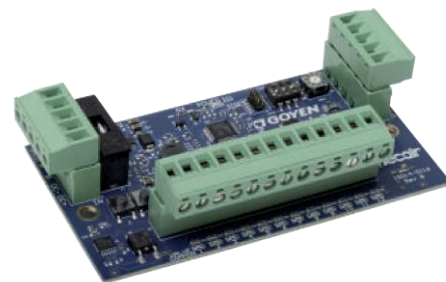
The ECS Control System is an intelligent controller developed to provide flexible solutions for economical filter life by minimising the costs associated with maintaining and operating modern dust filtration systems. The integrated dP transducer allows the controller to determine exactly when filters require cleaning. This feature ensures the filters are cleaned only when necessary, dramatically extending filter life and lowering emissions, while significantly reducing compressed air use.

The ECS base board has 12 solenoid outputs on board. The addition of expansion cards, matched to the AC or DC output of the controller, increases this number to 360 outputs. The ECS may be ordered as the control board only or in an enclosure (polycarbonate).



#### FEATURES

- High-performance, cost-minimising controller.
- Expansion cards extend the control up to 360 solenoid outputs.
- Quick Pulse Technology
- Each AC output can have 10 pilot valves connected in parallel, enabling up to 3600 pilot valves to be supported. Each DC output can have 2 pilot valves connected in parallel between  $-40^{\circ}\text{C}$  to  $60^{\circ}\text{C}$  ( $-40^{\circ}\text{F}$  to  $140^{\circ}\text{F}$ ), enabling up to 720 pilot valves to be supported. The main PCB only can have 3 DC pilot valves connected in parallel between  $-20^{\circ}\text{C}$  to  $60^{\circ}\text{C}$  ( $-4^{\circ}\text{F}$  to  $140^{\circ}\text{F}$ ).
- Low temperature operation  $-40^{\circ}\text{C}$  ( $-40^{\circ}\text{F}$ )
- Automatic pilot valve detection
- Voltage-free coil error output and a visual indication on the display showing which pilot valve output has an error, enabling quick fault finding and debugging.
- Conforms to the requirements of UL, CE, FCC and RCM.



DC Board

#### TECHNICAL CHARACTERISTICS & PERFORMANCE

DP SUPPORT	0 to 4.5 kPa
INPUT VOLTAGE	AC: 100/240 V @ 50/60 Hz
OUTPUT VOLTAGE	AC: 100/240 V @ 50/60 Hz (same as input). DC: 24 V
MAXIMUM INPUT POWER	AC IN, AC OUT Model: 235 W. AC IN, DC OUT Model: 65 W
DISCRETE SOLENOID OUTPUTS	12 outputs, expandable up to 360 via 12 output expansion cards
ENCLOSURE	Polycarbonate or no enclosure
PROTECTION RATING	Polycarbonate: IP65 & NEMA 1, 4, 4X, 12 & 13
OPERATING TEMPERATURE	$-40^{\circ}\text{C}$ to $60^{\circ}\text{C}$ ( $-40^{\circ}\text{F}$ to $140^{\circ}\text{F}$ )
ON & OFF TIME	ON: 30 ms to 1000 ms, OFF: 1 s to 1000 s
INPUTS	Voltage Free: Fan Stop, Low Header Alarm, Demand/Continuous
OUTPUTS	Voltage Free: Coil is Firing, Coil Alarm, High dP. Analogue Output: 4–20 mA dP signal



# GOYEN - ECS/ECX SERIES

## ECS CONTROL SYSTEM

PRODUCT LEAFLET

### ORDER CODE – ECS SEQUENCER

<b>ECS –</b>	–	<b>Enclosure type</b>
<b>Output Voltage</b>		
AC=AC V (same as input)		PC=Polycarbonate
DC=24 V DC		Blank=No enclosure

**SAMPLE ORDER CODE: ECS-AC-PC**

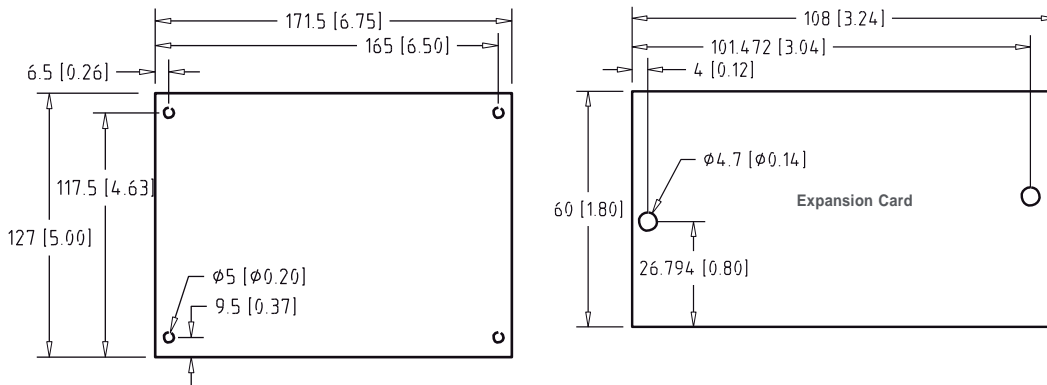
(ECS Control System, AC output with Polycarbonate enclosure)

<b>ECX –</b>
<b>Output Voltage</b>
AC=AC V (same as input)
DC=24 V DC

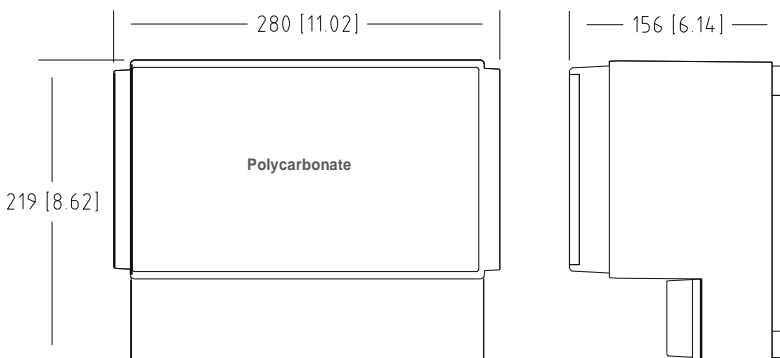
**SAMPLE ORDER CODE: ECX-AC**

(ECS Expansion Card, AC output)

### PCB BOARD DIMENSIONS – MM (INCH)



### ENCLOSURE DIMENSIONS – MM (INCH)



#### A.P.S. CONTROL CO., LTD., THAILAND

7 SOI DN-NUCH 62 SUKHUMVIT 77 RD. DN-NUCH SUANLUANG BANGKOK 10250 WWW.APSCONTROL.CO.TH  
Tel: 0 2721 1800(Auto) Fax: 0 2721 1791 E-mail: sales@apscontrol.co.th Line ID: aps.sales Tax.ID: 010-55430-20618

Note: We are engineering partner as a total system solution provider, GOYEN manufactures a range of components to ensure cost effective and reliable cleaning system design, installation and operation within a reverse pulse filter. Within a reverse pulse filter the overall cleaning efficiency and long term performance of the bags or cartridges are critically dependent upon to control of the cleaning air into the individual filter bag or cartridge. GOYEN products are produced to exacting tolerances and quality standards to ensure their effectiveness within any reverse pulse filter. As a comprehensive solution provider, We have great quality control procedures. The calculate various system designs and can work together perfectly. Finally we are fully committed to maintaining environment quality together.

#### GOYEN CONTROLS PTY LIMITED, AUSTRALIA

Note: The information and data contained in this document are based on our general experience and are believed to be correct. They are given in good faith and are intended to provide a guideline for the selection and use of our products. Since the conditions under which our products may be used are beyond our control, this information does not imply any guarantee of final product performance and we cannot accept any liability with respect to the use of our products. The quality of our products is guaranteed under our conditions of sale. Existing industrial property rights must be observed.

THE GOYEN FLANGED VALVES / FS-SERIES © 2017 Goyen. All Rights Reserved.