



# BULKHEAD CONNECTORS



# GOYEN BULKHEAD CONNECTORS

PRODUCT LEAFLET



BHD



BHDD



BHSS

## DESCRIPTION

Goyen produces a range of aluminium diecast bulkhead connectors designed to ease the installation of cleaning systems onto dust collectors. These components eliminate the requirement for welding and allow easy removal of cleaning systems and blowtubes for maintenance purposes.

## SUITABLE FOR

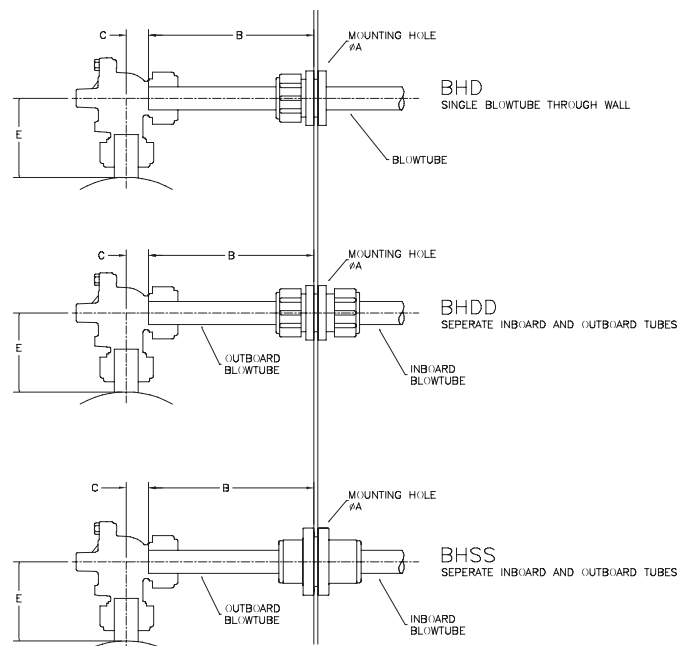
Most reverse pulse jet dust collector installations and their variations including bag filters, cartridge filters, envelope filters, ceramic filters, and sintered metal fibre filters.

1. Dresser nut and slide seal assemblies are for sealing purposes only and are not intended for valve or blowtube restraint.
2. Blowtubes and valves must be independently restrained.
3. Do not pressurise system until all valves are fully secured.
4. Fully relieve pressure before conducting any work on the cleaning system components.

## INSTALLATION

MODEL	ØA MM (INCHES)	B MM (INCHES)
BH20D	45 – 51 (1.75 – 2.0)	97 (3.81)
BH25D	56 – 62 (2.2 – 2.4)	118 (4.63)
BH40D	72 – 78 (2.8 – 3.1)	157 (6.19)
BH20DD	45 – 51 (1.75 – 2.0)	97 (3.81)
BH25DD	56 – 62 (2.2 – 2.4)	118 (4.63)
BH40DD	72 – 78 (2.8 – 3.1)	157 (6.19)
BH25SS	56 – 62 (2.2 – 2.4)	118 (4.63)
BH45SS	72 – 78 (2.8 – 3.1)	157 (6.19)

MATING VALVE	C MM (INCHES)	E MM (INCHES)
20DD	22 (0.86)	105 (4.13)
25DD	30 (1.18)	121 (4.76)
45DD	40 (1.57)	155 (6.10)
20T	7 (0.28)	NA
25T	5 (0.20)	NA
45T	16 (0.63)	NA
20FS	34 (1.34)	66 (2.60)
25FS	67 (2.63)	82 (3.23)
45FS	88 (3.46)	96 (3.78)





**GOYEN**

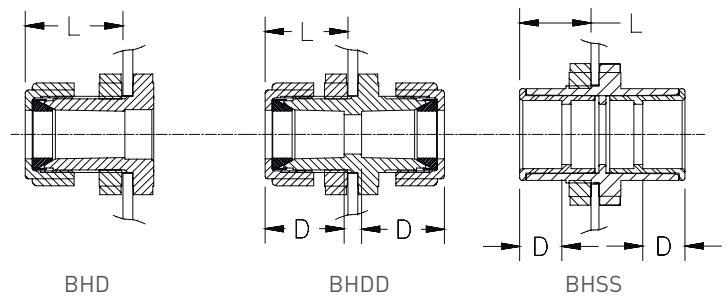
# BULKHEAD CONNECTORS

PRODUCT LEAFLET

## DIMENSIONS

[Dimensions in mm and [inches]]

MODEL	L – LENGTH MM (INCHES)	D – INSERTION DEPTH MM (INCHES)
BH20D	51 [2.01]	NA
BH25D	55 [2.17]	NA
BH40D	72 [2.83]	NA
BH20DD	52 [2.05]	48 [1.89]
BH25DD	55 [2.17]	52 [2.05]
BH40DD	72 [2.83]	58 [2.28]
BH25SS	52 [2.05]	30 [1.18]
BH45SS	51 [2.01]	30 [1.18]



## ORDER CODE AND CHARACTERISTICS

ORDER CODE	NOM. PIPE SIZE MM (INCHES)	STYLE	MATERIAL	TEMPERATURE RANGE °C °(F)	UNIT MASS KG (LBS)
BH20D	20 (¾)	Single dresser nut	Diecast aluminium & nitrile	-40 [-40] to 80 [176]	0.27 [0.60]
BH20D-V	20 (¾)	Single dresser nut	Diecast aluminium & viton	-29 [-20.2] to 232 [449.6]	0.27 [0.60]
BH25D	25 (1)	Single dresser nut	Diecast aluminium & nitrile	-40 [-40] to 80 [176]	0.40 [0.88]
BH25D-V	25 (1)	Single dresser nut	Diecast aluminium & viton	-29 [-20.2] to 232 [449.6]	0.40 [0.88]
BH40D	40 (1.5)	Single dresser nut	Diecast aluminium & nitrile	-40 [-40] to 80 [176]	0.76 [1.68]
BH40D-V	40 (1.5)	Single dresser nut	Diecast aluminium & viton	-29 [-20.2] to 232 [449.6]	0.76 [1.68]
BH20DD	20 (¾)	Two dresser nuts	Diecast aluminium & nitrile	-40 [-40] to 80 [176]	0.41 [0.90]
BH20DD-V	20 (¾)	Two dresser nuts	Diecast aluminium & viton	-29 [-20.2] to 232 [449.6]	0.41 [0.90]
BH25DD	25 (1)	Two dresser nuts	Diecast aluminium & nitrile	-40 [-40] to 80 [176]	0.66 [1.46]
BH25DD-V	25 (1)	Two dresser nuts	Diecast aluminium & viton	-29 [-20.2] to 232 [449.6]	0.66 [1.46]
BH40DD	40 (1.5)	Two dresser nuts	Diecast aluminium & nitrile	-40 [-40] to 80 [176]	1.16 [2.56]
BH40DD-V	40 (1.5)	Two dresser nuts	Diecast aluminium & viton	-29 [-20.2] to 232 [449.6]	1.16 [2.56]
BH25SS	25 (1)	Slide seal	Diecast aluminium & EPDM	-40 [-40] to 80 [176]	0.53 [1.17]
BH25SS-V	25 (1)	Slide seal	Diecast aluminium & viton	-29 [-20.2] to 232 [449.6]	0.53 [1.17]
BHS25SSV	25 (1)	Slide seal	316 stainless steel & viton	-29 [-20.2] to 232 [449.6]	1.5* [3.4]*
BH45SS	40 (1.5)	Slide seal	Diecast aluminium & EPDM	-40 [-40] to 80 [176]	0.85 [1.87]
BH45SS-V	40 (1.5)	Slide seal	Diecast aluminium & viton	-29 [-20.2] to 232 [449.6]	0.85 [1.87]

\* Approximate mass only



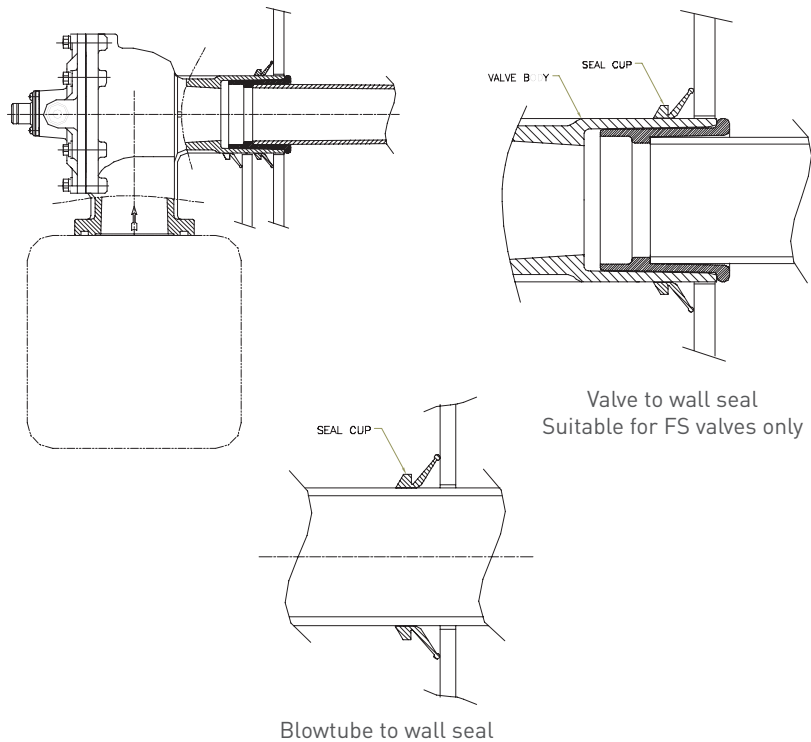
**DESCRIPTION**

Goyen produces a range of EPDM and viton bulkhead seals designed to ease the installation of cleaning systems onto dust collectors. These components eliminate the requirement for welding and allow easy removal of cleaning systems and blowtubes for maintenance purposes.

**SUITABLE FOR**

Most reverse pulse jet dust collector installations and their variations including bag filters, cartridge filters, envelope filters, ceramic filters, and sintered metal fibre filters.

**INSTALLATION**



**ORDER CODE AND CHARACTERISTICS**

ORDER CODE	NOM. PIPE OD SCHEDULE 40	STYLE	MATERIAL	TEMPERATURE RANGE °C °[F]	UNIT MASS KG (LBS)
690591	¾"	Valve to wall seal*	EPDM	-40 [-40] to 82 [179.6]	0.005
690591-2	¾"	Valve to wall seal*	Viton	-29 [-20.2] to 232 [449.6]	0.005
690125	1"	Valve to wall seal*	EPDM	-40 [-40] to 82 [179.6]	0.015
690125-2	1"	Valve to wall seal*	Viton	-29 [-20.2] to 232 [449.6]	0.015
690093	1½"	Valve to wall seal*	EPDM	-40 [-40] to 82 [179.6]	0.025
690093-2	1½"	Valve to wall seal*	Viton	-29 [-20.2] to 232 [449.6]	0.025
690593	¾"	Blowtube to wall seal	EPDM	-40 [-40] to 82 [179.6]	0.005
690593-2	¾"	Blowtube to wall seal	Viton	-29 [-20.2] to 232 [449.6]	0.005
690129	1"	Blowtube to wall seal	EPDM	-40 [-40] to 82 [179.6]	0.015
690129-2	1"	Blowtube to wall seal	Viton	-29 [-20.2] to 232 [449.6]	0.015
690094	1½"	Blowtube to wall seal	EPDM	-40 [-40] to 82 [179.6]	0.025
690094-2	1½"	Blowtube to wall seal	Viton	-29 [-20.2] to 232 [449.6]	0.025

\* Suitable for FS valves



**A.P.S. CONTROL CO., LTD., THAILAND**

7 SOI ON-NUCH 62 SUKHUMVIT 77 RD. ON-NUCH SUANLUANG BANGKOK 10250 [WWW.APSCONTROL.CO.TH](http://WWW.APSCONTROL.CO.TH)

Tel: 0 2721 1800(Auto) Fax: 0 2721 1791 E-mail: [sales@apscontrol.co.th](mailto:sales@apscontrol.co.th) Line ID: [aps.sales](https://www.line.me/aps.sales) Tax.ID: 010-55430-20618

Note: We are engineering partner as a total system solution provider, GOYEN manufactures a range of components to ensure cost effective and reliable cleaning system design, installation and operation within a reverse pulse filter. Within a reverse pulse filter the overall cleaning efficiency and long term performance of the bags or cartridges are critically dependent upon to control of the cleaning air into the individual filter bag or cartridge. GOYEN products are produced to exacting tolerances and quality standards to ensure their effectiveness within any reverse pulse filter. As a comprehensive solution provider, We have great quality control procedures. The calculate various system designs and can work together perfectly. Finally we are fully committed to maintaining environment quality together.

**GOYEN CONTROLS PTY LIMITED, AUSTRALIA**

Note: The information and data contained in this document are based on our general experience and are believed to be correct. They are given in good faith and are intended to provide a guideline for the selection and use of our products. Since the conditions under which our products may be used are beyond our control, this information does not imply any guarantee of final product performance and we cannot accept any liability with respect to the use of our products. The quality of our products is guaranteed under our conditions of sale. Existing industrial property rights must be observed.

THE GOYEN FLANGED VALVES /FS-SERIES © 2017 Goyen. All Rights Reserved.