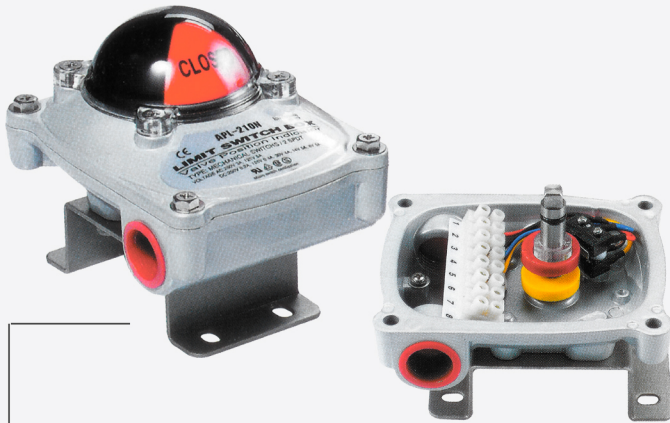


LIMIT SWITCH BOX

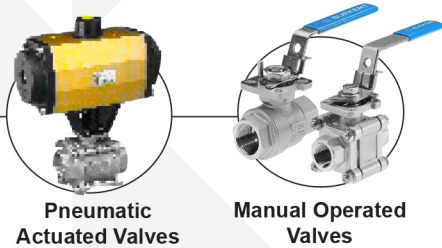
ACCESSORIES AND DEVICES

Electrical Feedback and Position Monitor for Quarter Turn Actuator or Valve



- Compact powder coated aluminium die-casted housing - weather proof to IP67
- Bolt on adjustable visual position indicator
- Quick - set cam for easy setting
- Dual cable entries and captive cover bolts design
- Namur standard stainless steel mounting bracket

The 0210 electrical feedback and position monitor can be combined with



Pneumatic Actuated Valves

Manual Operated Valves

ALPHAIR APL210N Electrical feedback and position monitor system is designed for quick and easy mounting to quarter turn pneumatic actuator or quarter turn valve (eg. ball or butterfly valves).

The compact design makes the device highly suitable for small space. The spring loaded splined cams allow quick, easy and precise adjustment of the switching positions of the feedback switches. The large dome shape position indicator also enables easy and distant optical viewing of the position status of the valve or actuator.

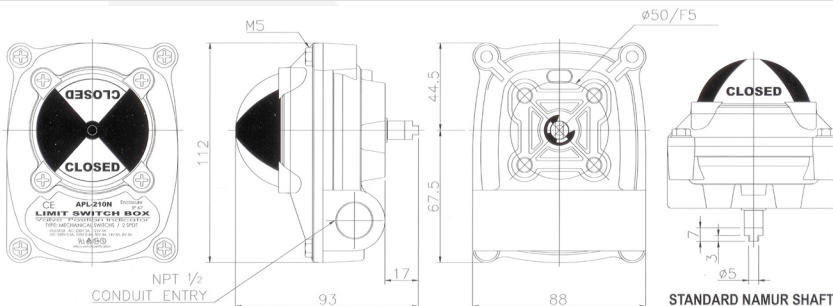
The device is delivered complete with one choice of stainless steel Namur standard bracket to suit different sizes of pneumatic actuator.

Specification

Enclosure	Weather proof IP67 / NEMA 4 & 4X
Ambient temperature	-20°C ~ +80°C
Electrical Connection	2 x NPT 1/2"
Switch Rating	2 x Mechanical switch (SPDT) 250VAC/3A, 125VAC/5A, 250VDC/0.2A, 125VDC/0.4A, 30VDC/4A (Approval Standards: UL, CSA, SEMKO, SEV EN61058-1) (Proximity sensor switch option on request)

Material:
Housing Aluminium die cast, powder coated
Shaft Stainless steel
Indicator cover Polycarbonate
Indicator ABS/Polycarbonate
Cam Polycarbonate
Spring Stainless steel
Housing cover bolt Stainless steel
O-ring NBR
Bushing Bronze
Bracket Stainless steel

Dimensions (mm unless otherwise specified)



Ordering

Item No	Description
ASN31284	with bracket for Namur 30 x 80 x h20 actuator
ASN31298	with bracket for Namur 30 x 80 x h30 actuator
On request	with bracket for Namur 30 x 130 x h50 actuator



VALBIA



A.P.S. CONTROL CO., LTD., THAILAND

7 SOI ON-NUCH 62 SUKHUMVIT 77 RD. ON-NUCH SUANLUANG BANGKOK 10250 WWW.APSCONTROL.CO.TH

Tel: 0 2721 1800 (Auto) Fax: 0 2721 1791 E-mail: sales@apscontrol.co.th Line ID: aps.sales Tax.ID: 010-55430-20618

Note: We are engineering partner as a total system solution provider, VALBIA manufactures a range of components to ensure cost effective and reliable about quarter-turn actuators. As a comprehensive solution provider, We have great quality control procedures. The calculate various system designs and can work together perfectly. Finally we are fully committed to maintaining environment quality together.

VALBIA S.R.L., ITALY & **HAFNER-PNEUMATIK KRÄMER KG.**, GERMANY

Note: Only excellence allows to compete in the international market. The challenge can be faced thanks to the passion and the energy of the researchers, who plan and manufacture avant-garde quality and technology, a team which is perfectly integrated for providing total, customer satisfaction; we are ready!

To ensure the quality and technical standards at the highest level, the manufacturer reserves the right to alter the specifications without notice. This documentation supersedes and replaces all previous editions. / Hafner-Pneumatik is the manufacturer of a complete range of high-quality pneumatic control valves made in Europe.

THE VALBIA & HAFNER ACCESSORIES © 2019 Valbia. All Rights Reserved.