

DS-QAE0210G1-V
Analog Ceiling Speaker 10W



- 5" paper basin
- Rated Power: 5/10 W
- Sensitivity(1 m, 1 W): 91 dB
- Max. SPL: 104 dB
- Frequency Response: 80 Hz to 20kHz
- White

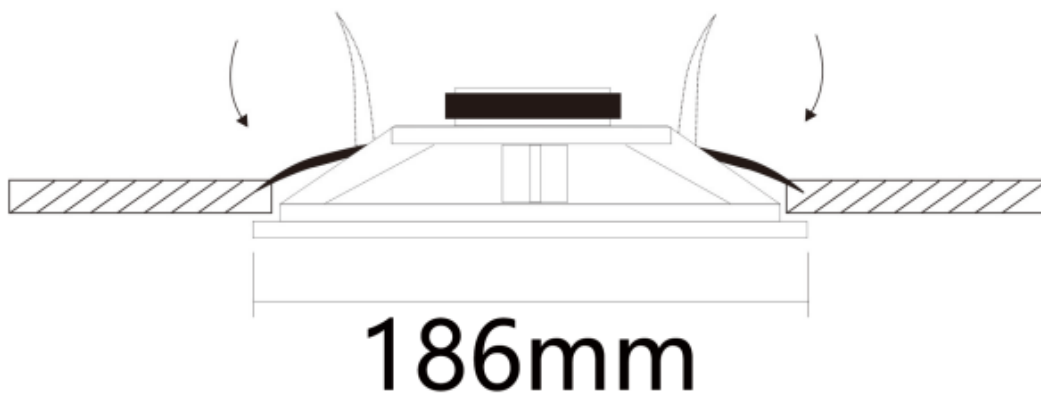
▪ Specification

Speaker	
Impedance	8 Ω
Speaker Unit	5" × 1
Rated Power	5W/10W
Sensitivity(1 m, 1 W)	91 dB ± 3 dB
Maximum Sound Pressure Level	104dB
Frequency Response	80Hz to 20kHz
Interface	
Audio In	Rated voltage , 100 V
General	
Material	Shell: ABS; Mesh enclosure: iron mesh
Dimension	∅180 × 70 mm(∅7.08" × 2.75")
Package Dimension	204x203x90mm(8.03" × 7.99" × 3.54")
Weight	Approx. 607 g (1.33 lb.)
With Package Weight	Approx. 784g (1.73 lb.)
Packing List	Device × 1 Quick Start Guidex1
Operating Temperature	-20 °C~50 °C (-4 °F to 122 °F)
Operating Humidity	< 95%
Mounting Hole Dimension	∅163mm(∅6.41")

▪ Available Model

DS-QAE0210G1-V

▪ Dimension



See Far, Go Further



www.hikvision.com
support@hikvision.com

