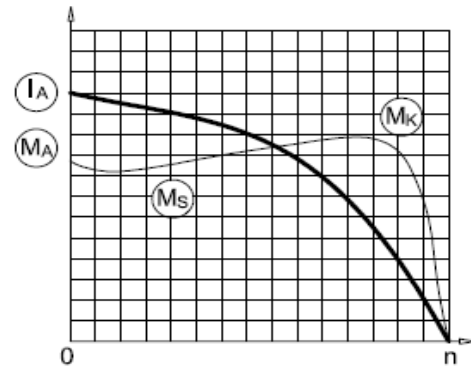


## MSD 71 2a

1-Phase 230 V 50 Hz

Duty Type : S1  
 Degree of protection : IP 55 ( TEFC )  
 Insulation class : F ( 155 °C )  
 Temp rise : Class B ( 80K )  
 Mounting Design : B3



## ELECTRICAL DESIGN

Rated output (kW) : 0.37  
 Speed (rpm) : 2885  
 Rated current (A) : 2.5  
 Torque – Mn (Nm) : 1.22  
 Starting Capacitor 330V (μF) : 53-64  
 Permanent Capacitor 400V (μF) : 15  
 Cos φ : 0.96  
 Efficiency % : 67.0  
 Moment of inertia J (kgm)<sup>2</sup> : 0.0028

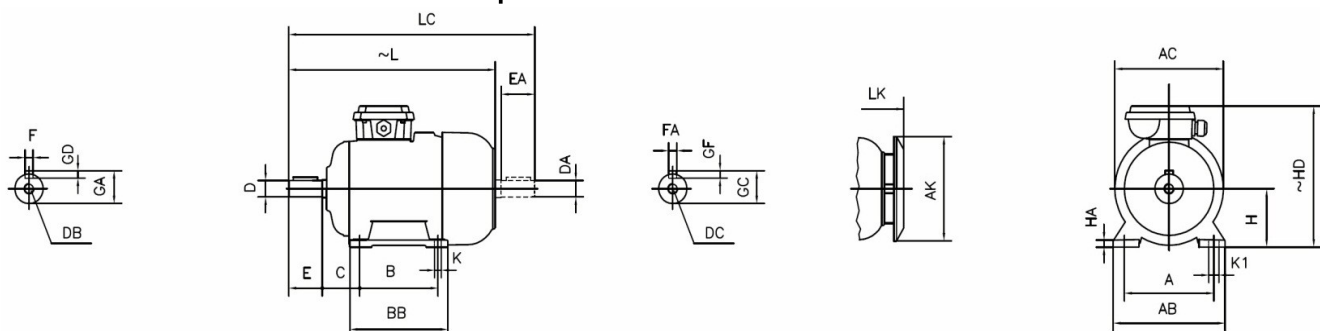
Locked rotor Current – I<sub>a</sub> (A) : 11.75  
 I<sub>a</sub> / I<sub>n</sub> : 4.7  
 Locked rotor Torque – M<sub>a</sub> (Nm) : 2.6  
 M<sub>a</sub> / M<sub>n</sub> : 2.1  
 Breakdown Torque – M<sub>k</sub> (Nm) : 2.7  
 M<sub>k</sub> / M<sub>n</sub> : 2.2

## MECHANICAL DESIGN

Frame : Aluminium  
 End shields : Aluminium  
 Cooling fan : Plastic  
 Terminal box : Plastic  
 Cable gland : Pg 16  
 No of cable glands : 1

### Bearing Arrangement

	Drive End	Non Drive End
Standard design	6202 ZZ	6202 ZZ
Paint	: RAL 7031- Grey	
Approximate weight (kg)	: 6.2	



## DIMENSIONS

### FOOT MOUNTED MOTORS - B3, B6, B7, B8 B15, V5, V6

H	HD	HA	A	AB	AC Ø	AK Ø	K	K1	B	BB	L	LC	LK	C	E	DB	DØ	GA	FXGD
	~										~		~		EA	DC	DAØ	GC	FAXGF
71	208	10	112	140	138	116	7	11	90	108	247	282	277	45	30	M5	14	16	5X5