

## RH804G-GP XPON 4 PORTS GE POE ONU RH804G-GP



### 1. Product Overview

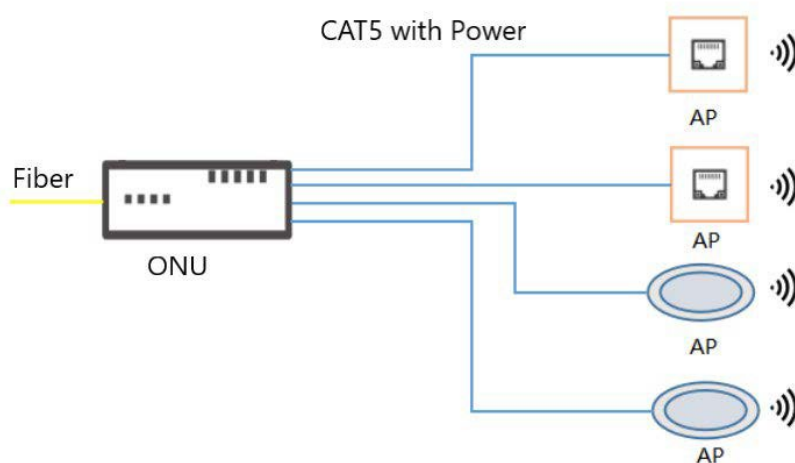
RH804G-GP ONU is designed for fulfilling FTTH and triple play service demand of fixed network operators or system integrator. The ONT is based on the mature Gigabit GPON technology, Support POE function, meet the 802.3af and 802.3at standard. They are highly reliable and easy to maintain, with guaranteed QoS for different service. And It is fully compliant with technical regulations such as ITU-T G.984.x.

### 1.1 Product Positioning

RH804G-GP ONU is designed for fulfilling FTTH and triple play service demand of fixed network operators or system integrator. The ONT is based on the mature Gigabit GPON technology, Support POE function, meet the 802.3af 802.3 at standard. They are highly reliable and easy to maintain, with guaranteed QoS for different service. And It is fully compliant with technical regulations such as ITU-T G.984.x .

### 1.2 Network Mode

RH804G-GP is the FTTH mode terminal equipment which designed for applications. Specific application refers to Picture 1-2



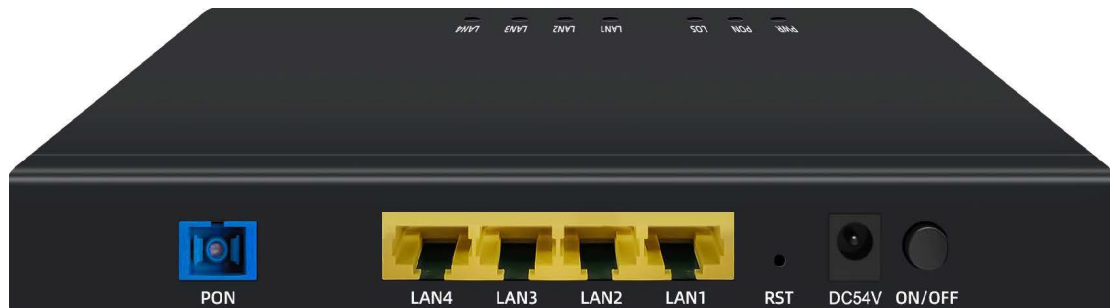
Picture 1-2 RH804G-GP products application diagram



## 2. Hardware Features

### 2.1 Interface of device

RH804G-GP equipment interface as Picture 2-1



Picture 2-1 RH804G-GP back panel picture

Table 2-1 Description RH804G-GP back panel Interface

Port Type	Function
PON port	Connect PON port with internet by SC type, single mode optical fiber cable
Ethernet port	Ethernet port RJ45 Port connects to local internet, speed 10/100/1000Mbps
Reset button (Reset)	Press down reset button and keep 1-5 seconds to make the device restart and recover from the factory default Settings.
Power	DC 54V/3 . 1A
Power turn on/off	Power turn on/o ff

### 2.2 Interface of device

Table 2-3RH804G-GP LED statement

Indicators	status	Description
POWER	Light on	ONU power supply normally
	Light off	ONU no power supply
PON	Light on	ONU link active
	Flash	ONU manage to link
	Light off	ONU receiving power rate lower than optical receiver sensitivity
LOS	Blink	Device does not receive optical signals.
	Off	Device has receivedoptical signal.
LAN1~ LAN4	Light on	network port linked, but no data transmitting
	Flash	network port data pass
	Light off	ONU no power supply or internet cable unlink



## 3. Technical Specifications

### 3.1 Physical structure, Environment and Electrical parameter

Table 3-1 RH804G-GP specification and working environment

Parameter	Nominal
Dimension	190mmx105mmx26mm (LxWxH)
Net weight	1.5 kg
Typical power consumption	< 167.4W
Noise	None
Cooling style	Naturally cooling
Power supply	DC 54/3.1A
Installation style	Support PC, wall mount or put inside of information box
Environment	5 ~ 55°C
Atmospheric pressure	70~106Kpa
MTBF	50,000hours
MTTR	30minutes

### 3.2 GPON Interface Specifications

Table 3-2 RH804G-GP GPON Interface

Parameter	Nominal
Connector style	Default SC/UPC
PON quantity	1
Fiber style	Single mode
Wavelength	TX: 1310 +/-20nm RX: 1490+/-10nm
PON interface standard	ITU-T G. 984.2/ITU-T G. 984. 3 /ITU-TG. 988 Class B+
PON interface receiving rate	1.244Gpbs
PON interface transmitting rate	2.488Gpbs
Output optical power	Min: 0dBm   Max: +5dBm
Optical receiver sensitivity	-8dBm----- -28dBm
The length of the optical link	Max 20km

### 3.3 Special function

- Support TR069, NAT, DMZ, DNS features
- Support Multiple VLAN
- Support IPV6 ,PPPoE, DHCP and Static IP configuration for WAN Interface
- Support IP, MAC filtering, Firewall Functionality in routed mode
- Support for XPON, adaptive EPON or GPON OLT on the network

