

Specifications

LW541H

		32" (80cm)	43" (108cm)	49" (123cm)	55" (139cm)	
DISPLAY	Type	Direct LED			Edge LED	
	Resolution	1,366 x 768 (HD)	1,920 x 1,080 (FHD)			
	Brightness	300cd/m ²				
	Dynamic Contrast Ratio	1,000,000:1				
	Static Contrast Ratio	1,200:1				
	Viewing Angle Degree	178° / 178°				
BROADCASTING SYSTEM	Analogue	PAL/SECAM				
	Digital	DVB-T2/C/S2 (Varied by Countries)				
VIDEO	Triple XD Engine	•				
	Real Cinema 24p (3:3 Pull down)	•				
	Aspect Ratio	• 8 modes (16:9, Just scan, Original, Full Wide, 4:3, 14:9, Cinema Zoom 1, Zoom)				
AUDIO	Audio Output / Speaker System	10W + 10W / 2.0 ch				
	Sound Mode	• 6 modes (Standard, News, Music, Cinema, Soccer, Game) * India Only : 6modes (Standard, News, Bollywood, Cinema, Cricket, Game)				
	Clear Voice	•				
GENERAL FEATURES	ProCentric®	Pro:Centric V				
		PCA 3.7				
		1 Tuner				
		GEM / Flash				
	Management	Remote Diagnostics (USB) / EZ-Manager (for Initial Configuration)				
	Interactivity	HTNG / HDMI-CEC				
	Connectivity	MHL				
	RJP Compatibility	Teleadapt (RS232C), Teleadapt / Guestlink (HDMI CEC)				
	Advanced Settings	Auto Off / Auto Sleep, Smart Energy Saving, Motion Eye Care				
Anti-theft System	Kensington Lock, Credenza / Security Screw Hole, Lock Down Plate, Commercial Swivel Stand					
COMMERCIAL FEATURES	Welcome Screen/Video, USB Cloning, One Channel Map, Hotel Mode, Lock Mode, IR Out, Multi IR Code, Instant On, External Speaker Out, External Power, External Clock Ready					
INTERFACE	Side	HDMI In (2), USB 2.0, CI Slot				
	Rear	RF In (2), AV In, Component In + Audio (Commonly used w / AV In), Optical Audio Out, HDMI Input, RS-232C, Headphone Out, Clock Interface, LAN Port, External Speaker Out (2)				
PHYSICAL SPECIFICATION	Bezel Width (L/R, U, B) : on bezel based	14.1, 13.6, 19.1	12.1, 12.1, 15.1		12.9, 12.9, 15.9	
	Bezel Width (L/R, U, B) : off bezel based	11.6, 11.1, 16.6	9.8, 9.8, 12.8		10.4, 10.4, 13.4	
	Vesa	200 X 200		300 X 300		
	WxHxD / weight (w/o stand)	733 x 436 x 72.2 (SPK 76.3) / 5.32kg	974 x 571 x 70.3 (SPK 79.4) / 9.2kg	1,107 x 645 x 70.3 (SPK 79.4) / 12kg	1,241 x 720 x 41.5 (SPK63.0) / 17.3kg	
	WxHxD / weight (with stand)	733 x 490 x 282 / 7.79kg	974 x 619 x 325 / 12.6kg	1,107 x 695 x 325 / 15.4kg	1,241 x 770 x 325 / 19.7kg	
	WxHxD / weight (Carton)	812 x 520 x 190 / 10kg	974 x 620 x 199 / 14.7kg	1,300 x 775 x 175 / 19.8kg	1,360 x 860 x 190 / 24.3kg	
POWER	Voltage, HZ	100~240V, 50 / 60 Hz				
	Typical (Watts)	42.6	62.7	73.9	85.3	
	Stand-by (Watts)	0.2	0.22	0.21	0.20	
STANDARD (CERTIFICATION)	Safety	AS/NZS 60065, CB Scheme				
	EMC	AS/NZS CISPR 32, RCM				
	Energy Rating	N/A	148kWh/year, 6 star	178kWh/year, 6 star	N/A	

Comprehensive Hospitality Solution with Pro:Centric®

The LG Pro:Centric® solution allows hoteliers to customise the in-room experience, providing an easy way to interface with interactive programme guides and internet data feeds, as well as applications designed to connect guests to hotel services.



LW541H

- Pro:Centric® Application
- Embedded Customisable Templates
- Remote Management via RF & IP
- Multiple Channel Spooling
- EZ-Manager for quick and simple TV settings
- Commercial Swivel Stand

*Full features are available when the model is connected to the Pro:Centric® server.

screen size

32" (80cm), 43" (108cm), 49" (123cm), 55" (139cm)

Key Features



Enhanced Guest Experience

Pro:Centric provides customisable billboards and Electronic Program Guide(EPG) which allow easy navigation of TV channels and programs for customers in-room experience.

Features

- Hotel Information, Weather, Map, Advanced wake-up time setting
- EPG
- PMS Interfaced Service ready



Easy Content Management

Pro:Centric enables centralised and intuitive in-room TV control from the TV settings to content creation and updates.

Features

- Embedded Customisable Templates
- Up to 8 Hotel Channel Spooling



Optimised Total Cost of Ownership

Save on setup and operating expenses with the LG set top box (STB) integrated solution

Features

- EZ-Manager 2.1 for more efficient initial configuration
- Remote Management via RF & IP

Hospitality Features



Commercial Swivel Stand

Expand the range of comfort for the guests with a commercial grade stand by allowing them to watch a TV from wider angle. It also prevent stealing.



Welcome Screen/Video

First impressions are important. Having a warm greeting message with the Hotel name and its logo on the TV or a customised video in various formats* will help the guest feel more welcome.

* mp4, avi, mov, tp, wma, ts etc.



Remote Diagnostics (USB)

Enables service technicians to recognise technical issues in the TV quickly and easily through a USB device. The TV stores technical issues it encounters and can output it to a USB device. Service technicians can use the information to diagnose technical issues remotely.



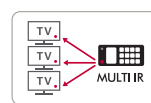
External Speaker Out

By adding an additional speaker, guests can listen to the TV sound from a second location in the guest room. Even in the bathroom, guests can hear and control the TV sound level.



One Channel Map

The one channel mapping feature allows users to edit and list the channels of their choice from any of the multiple broadcasting signals (DVB-T, analogue, digital TV or radio).



Multi IR

Multi IR function reduces the remote control signal interference between TVs in multiple dwelling beds.

* Hospitality features available without Pro:Centric® Server.

Comprehensive Hospitality Solution with Pro:Centric®

Pro:Centric® V LW541H



Pro:Centric® Features

Enhanced Customer Experience



Personalise the page with the Pro : Centric® Applications(PCA) which improves guests' in-room experience as well as providing a variety of additional features conveniently just for your customers.



Welcome Page



Language selection



Wake-up Setting



Weather Information

• Personalised Pages

When linked with the Property Management System, it provides a Welcome Page with the guest name, Auto Language Setting and Billing information with the guest's name.

• Various Additional Features

PCA serves the convenience of the guest through a Wake-up setting, Weather Information, Map Service, and many more functions that you can choose from

Easy Content Creation & Management



Pro:Centric® allows you to create your own content and manage multi hotel channels which can be specialised for your property. It provides you customisable solutions for your Hotel Service.



• Customisable Pages

8 sections with 40 pages of billboards can be made with the web based editing tool.



• Hotel Channel Spooling

Operation of up to 8 hotel channels (22 sub-channels available) can offer various information and added services.

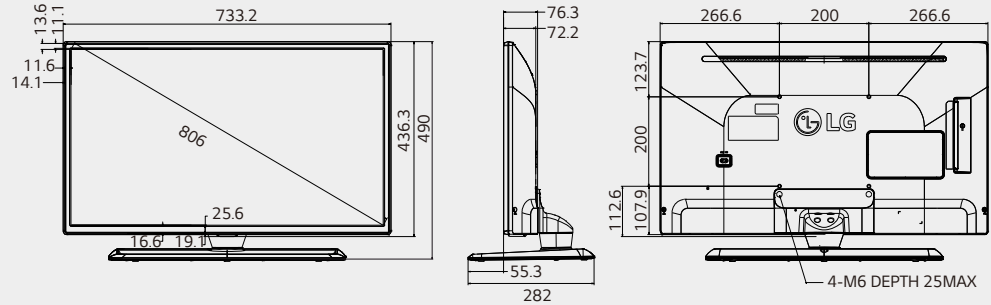
Dimensions (with stand)

32"

733.2 x 490 x 282

8.2kg

*Swivel

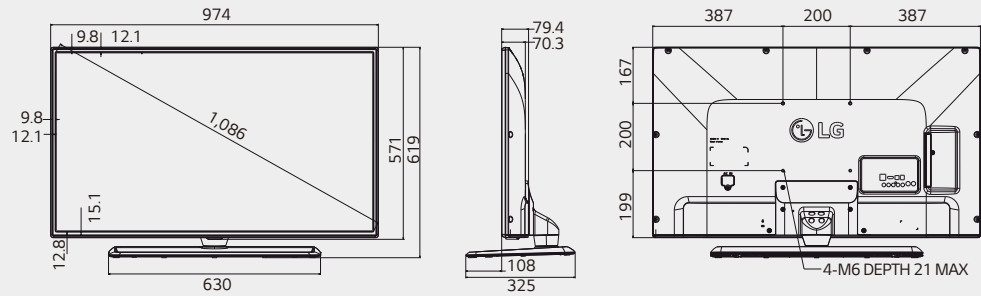


43"

974 x 619 x 325

12.6kg

*Swivel

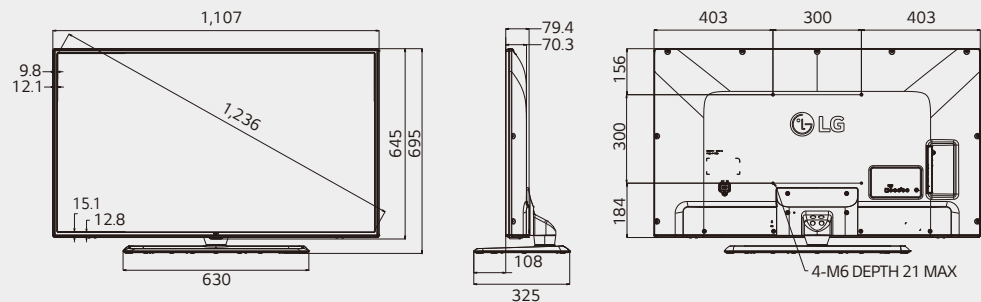


49"

1,107 x 695 x 325

15.4kg

*Swivel

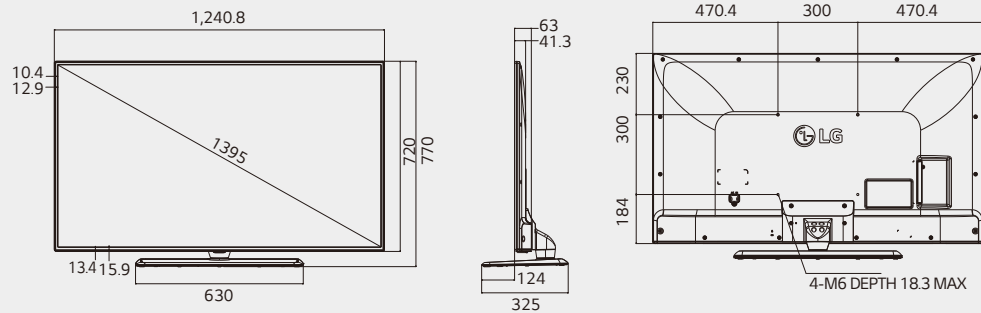


55"

1,240.8 x 770 x 325

19.7kg

*Swivel



Connectivity

- ① H/P OUT
- ② OPTICAL AUDIO OUT
- ③ LAN
- ④ HDMI IN 1
- ⑤ VOLUME CONTROL
- ⑥ STEREO
- ⑦ CLOCK
- ⑧ RS-232C IN
- ⑨ COMPONENT IN / AV IN
- ⑩ LNB Satellite IN
- ⑪ ANTENNA/CABLE IN
- ⑫ HDMI IN 2
- ⑬ HDMI IN 3
- ⑭ USB IN

