

## 16 DVB-T/T2 to IP Output

### ACE 16T-IP

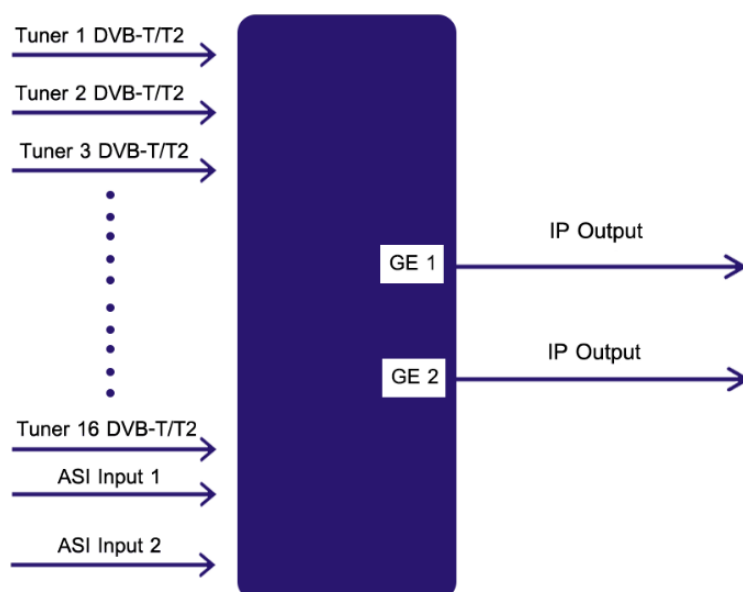


The **ACE 16T-IP** is a head-end interface conversion device which supports MPTS and SPTS output switchable. It supports 16 MPTS or 512 SPTS output over UDP and RTP/RTSP protocol. It is integrated with tuner demodulation (or ASI input) and gateway function, which can demodulate the signal from 16 tuners DVB-T/T2 into IP package, or directly convert the TS from ASI input and tuner into IP package, then output the IP package through different IP address and ports.

#### Main Features:

- Support 16 DVB- T/T2 input, 2 ASI input
- 16 MPTS or 512 SPTS output (MPTS and SPTS output switchable).
- 2 GE mirrored output, up to 850Mbps---SPTS.
- 2 independent GE output port, GE1 + GE2---MPTS.
- Support PID filtering, re-mapping (Only for SPTS output).
- Support "Null PKT Filter" function (Only for MPTS output).
- Support Web operation.

#### Principle Chart:



## Specifications:

| PRODUCT        |  | ACE 16T-IP                          |                    |
|----------------|--|-------------------------------------|--------------------|
| Input:         | 16 DVB-T/T2 Tuners input   |                                     |                    |
| Output:        | 512 SPTS IP mirrored output over UDP and RTP/RTSP protocol through GE1 and GE2 port, Unicast and Multicast                   |                                     |                    |
|                | 16 MPTS IP output (for Tuner/ASI passthrough) over UDP and RTP/RTSP protocol through GE1 and GE2 port, Unicast and Multicast |                                     |                    |
| Tuner Section: | DVB-T/T2   | Input Frequency                     | 30MHz ~999.999 MHz |
|                |  | Bandwidth                           | 6M, 7M, 8M         |
| Multiplexing:  | Maximum PID Remapping  | 256 per input channel               |                    |
|                | Function   | PID Remapping                       |                    |
|                |  | Accurate PCR adjusting              |                    |
|                |  | Generate PSI/SI table automatically |                    |
| Miscellaneous  | Dimension  | 482mmx410mmx44mm (WxLxH)            |                    |
|                | Approx. weight   | 3.6kg                               |                    |
|                | Environment  | 0~45°C (work) ; -20~80°C (Storage)  |                    |
|                | Power requirements   | 100~240VAC, 50/60Hz                 |                    |
|                | Power consumption  | 20W                                 |                    |

