

Maxi Duty Cross Belt Sorter SBIR MD

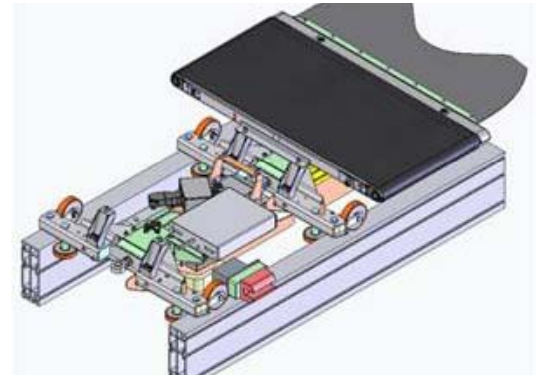


Ultimate technology for automated solutions

High speed and throughput
Maximum reliability and accuracy
Reduction of “no sortable items”

Gentle handling
Transport surface completely closed
Widest jam prevention

The Maxy Duty family includes the cross-belt sorters that have been designed to bring all the benefits of the “active” technology to applications where only passive technology was available



Sorter Cell Unit

The SBIR MD family is available in different models according to system requirements in terms of capacity and product specification.

The high speed sorters **SBIR MD-B**, **SBIR MD-J**, **SBIR MD-K**, **SBIR MD-W** and **SBIR MD-2Y** represent the preferred choice for meeting the automation challenges of today’s postal and parcel distribution centers. One of the key advantages is the “width-wise” loading: items are loaded with their length perpendicular to the direction of transport. This technique allows for maximizing the density of the items on the sorter, delivering a capacity much greater than the “lengthwise” method at very high speed.



The **SBIR MD DYN (Dynamic)** is designed for medium size logistics and sorting centers. It features a simplified solution and an optimized item accumulation in the outlets. It enables processing of flyers and parcels on the same sorter; thanks to the 15 degree inclined induction line, the orientation of the items is kept optimized during the loading onto the sorter unit. The control system allocates a dynamic number of sorter units according to the length of each single item.



Specifications*	MD-B	MD-J	MD-K	MD-W	MD-2Y	MD-DYN
Cell dimensions (mm)	1,000 x 560	1,000 x 500	1,400 x 500	1,400 x 560	1,600 x 500	1,000 x 440
Cell pitch (mm)	750 – 1,000	700	700	800	650	550
Capacity at max. working speed 2.7 m/sec (pph)	12,960 – 9,720	13,886	13,886	12,150	14,953	7,000
Minimum package size (mm)	100x100x10	100x100x10	100x100x10	100x100x10	100x100x10	100x100x10
Maximum package size (mm)	1,000x800 x800	1,000x800 x800	1,500x800 x800	1,500x800 x800	1,600x1,000 x1,000	2,000x900 x800
Minimum package weight (g)	50	50	50	50	50	50
Maximum package weight (kg)	80	80	80	80	80	80

* The information is subject to change. Actual specifications are depending on system configuration and physical characteristics of the item to handle