

**SPECIFICATION**  
**OIL IMMERSED TRANSFORMER**  
**400 KVA. 3 Ph. 50 Hz**  
**24000 - 416 / 240 V.**

**TCT** THAI CENTER TRANSFORMER CO.,LTD  
SPECIFICSTION THREE PHASE TRANSFORMER

Address : 67 / 1 Moo. 7 T. Bangkam A. Muang Nakonpathom 73000

**Transformer Specification**

**Quote. Ref :**

**Customer :**

**Project :**

Rated power	..... <b>KVA</b>	400	
Type of transformer	-	Oil immersed ( Hermetically sealed )	
Standard	-	IEC 76	
Cooling System	-	ONAN	
No. Of phase	-	3	
Frequency	..... <b>Hz</b>	50	
Rate of voltage : Primary	..... <b>V.</b>	24000	
: Secondary	..... <b>V.</b>	416/240	
Vector group	-	Dyn 11	
Tapping Type	-	off circuit tap changer	
No. of steps	-	5	
Percentage of tapping	-	- 4 x 2.5 %	
Impedance voltage at 75 C	..... <b>%</b>	4	
NO - Load current	..... <b>%</b>	1	
Ambient temperature	..... <b>C</b>	40	
Average Temperature rise of winding	..... <b>C</b>	65	
Average Temperature rise of top oil	..... <b>C</b>	60	
Noise level not more than	..... <b>dB</b>	56	
No - Load loss	..... <b>Watt</b>	930	
Load loss at 75 C	..... <b>Watt</b>	4150	
Efficiency at P.F. = 1	: 25 % of rate power	..... <b>%</b>	98.94
	: 50 % of rate power	..... <b>%</b>	98.08
	: 75 % of rate power	..... <b>%</b>	98.79
	: 100 % of rate power	..... <b>%</b>	98.64
Voltage regulation	: at P.F. = 0.8	..... <b>%</b>	3.22
	: at P.F. = 0.9	..... <b>%</b>	2.71
	: at P.F. = 1.	..... <b>%</b>	1.17
Impulse Withstand Voltage	: Primary winding	..... <b>KV.</b>	125
	: Secondary winding	..... <b>KV.</b>	-
Power Frequency	: Primary winding	..... <b>KV.</b>	50
	: Secondary winding	..... <b>KV.</b>	3
Terminal arrangement H.V. Side		Cable	
L.V. Side		Cable	
Installation on		Pole mounted / Platform	

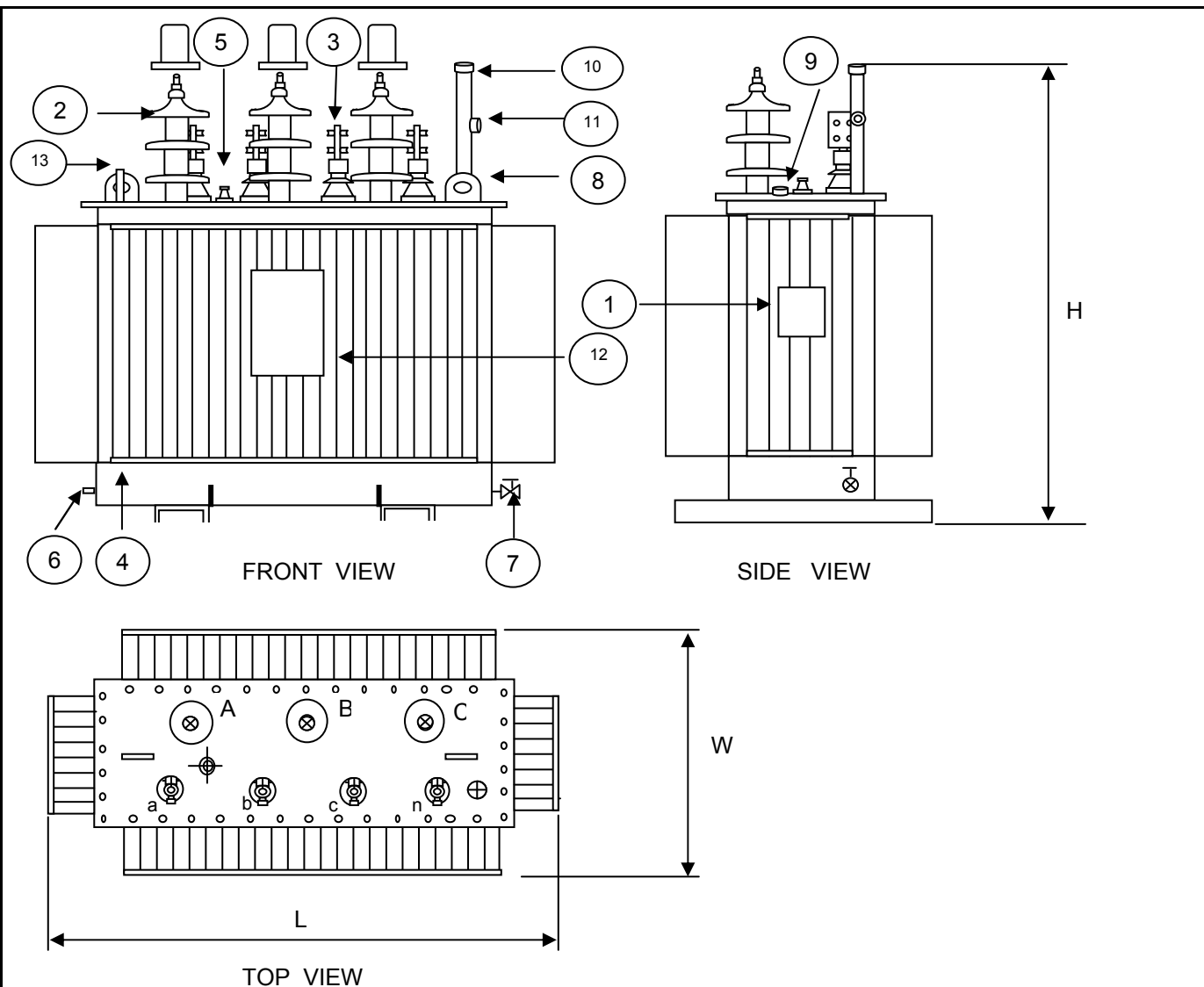
**Transformer Specification**

**Quote. Ref :**

**Customer :**

**Project :**

Rated power	<b>400</b>
Type of transformer	Oil immersed ( Hermeticall sealed )
<b>Accessories</b>	
H.V. Bushing with terminal connector	Included
L.V. Bushing with terminal connector	Included
Grounding pad or earth terminal	Included
upper filter press sampling valve	Included
Oil drain, filter press sampling valve	Included
Name plate	Included
Arcing Horn	Included
Skid Base	Included
Mechanical pressure relief device	Included ( without contact )
Oil level indicator	Included ( with contact )
	Included ( with contact )
	Included ( with contact )
<b>Testing</b>	
<b>- Routine test</b>	
Ratio test at each position of tap	Included
Polarity and phase relation test	Included
Resistance measurement	Included
No - Load loss and exciting current test	Included
Impedance and load loss test	Included
Applied potential test	Included
Induced potential test	Included
Insulation resistance test	Included
Oil test	Included
<b>- Specia test</b>	
Impulse withstand test	Included ( Thaicenter lab )
Temperature rise test	Included ( Thaicenter lab )



NO	DESCRIPTION	QTY.
1	NAMEPLATE WITH CONNECTION DIAGRAM	1
2	HV. BUSHING W / TERMINAL CONNECTOR	3
3	LV. BUSHING W / TERMINAL CONNECTOR	4
4	TANK	1
5	TAP CHANGE	1
6	EARTH TERMINAL	1
7	OIL DRAIN VALAE	1
8	LIFTING EYES ON THE COVER	2
9	OIL LEVEL INDICATOR	1
10	OIL FILLING PIPE	1
11	OIL LEVEL GAUGE	1
12	LOGO	1
13	THERMOMETER POCKET	1

THAI CENTER TRANSFORMER CO.,LTD					
Dimension in millimetres			Total wt.	Oil	
H	L	W	( Kgs.)	( Litres )	
1675 mm.	1560 mm.	815 mm.	1450	425	
<b>DESIGN No.</b> 00400TCT0010052			S/O No. A100052		
<b>NAME</b>			<b>TITLE :</b> OUTLINE DRAWING		
<b>DRN.BY</b>			400 kVA. 3 Ph.Dyn11		
<b>CHK.BY</b>			24000 - 416 / 240v		
<b>APP. BY</b>			<b>TYPE :</b> Hermeticall sealed tank		

**PRELIMINARY DRAWING**  
 This drawing is for estimation only showing approximate dimensions and should not be used for actual purposes  
 In case of order a definite drawing will be produced for formal approval