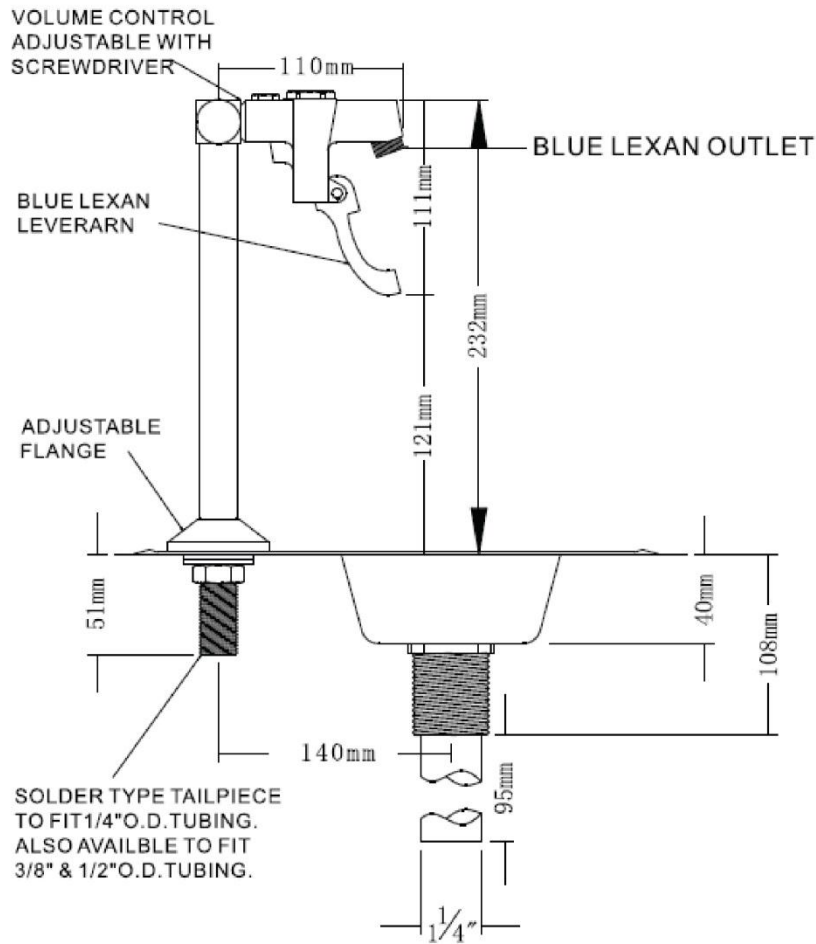


## Water Station 9850



### Feature:

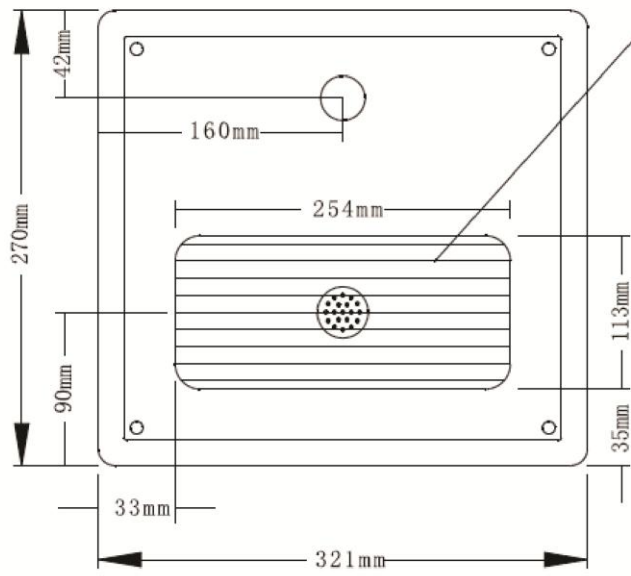
- 267mm x 318mm drip pan is one piece 18 gauge stainless steel
- push back glass filler with 203mm clearance from tip to pan
- Chrome plated escutcheon: 267 x 51mm
- Coupling nut and 6mm sweat tailpiece for copper tube connection
- 2 1/4 inches diameter grid drain
- Drain 1 1/4" x 4" long. 17 gauge tailpiece
- Stainless steel and brass construction
- Brass cartridge



- **Warranty** : 1 Year

- See more at: <http://www.passpusit.com>

92/117 moo5 t.bangsrmuang , MuangNothaburi, Nonthaburi 11000  
Tel : +66 2965-2448, Mobiles : 062-259-8589 ID line : YANI073157 Mail : ult.salees@gmail.com



DROP IN GRID

NOTE1:AVAILABLELESS(4)  
CORNER MOUNTING HOLES  
IF SPECIFIED.

NOTE2:18GAUGE STAINLESS  
STEEL PAN WITH BEADED EDGE.  
SUPPLIED WITH MASTIC &  
STAINLESS STEEL SCREWS  
FOR MOUNTING.

NOTE3:SUGGESTED CUT OUT  
SIZE FOR PAN IS 10-1/2"X5"  
CUSTOMER TO BERIFY ACTUAL  
CUT-OUT NEEDED PRIOR TO  
INSTALLATION