

AC 226

Self Contained Ice Machine 145 kg

| |
|-----------|
| Item #: |
| Project: |
| Quantity: |



FEATURES

- Produces individual Gourmet crystal clear ice cubes.
- Resistant stainless steel exterior.
- Advanced diagnostics computerized control.
- Front panel in and out airflow (air-cooled model only) for built-in installation.
- Front access condenser air filter, removable and washable (air cooled version only).
- Easily accessible front panel mount ON-OFF Switch.
- Routine maintenance visible alarm light on front panel.
- Ergonomically designed ice storage access, with disappearing door. Door-closing movement dampening system.



AC L 226
Large Gourmet 39 g
Ø 38 x H 41 mm



AC M 226
Medium Gourmet 20 g
Ø 30 x H 34 mm



AC S 226
Small Gourmet 8 g
Ø 21 x H 25 mm

CONDENSING SYSTEM

Air cooled
Water cooled

REFRIGERANT GAS

R404A
R452A

VOLTAGE V/Hz/ph

230/50/1
230/60/1

INTERNAL BIN CAPACITY

70 kg

CERTIFICATIONS



OPERATING REQUIREMENTS

| | Minimum | Maximum |
|--------------------|----------------|----------------|
| Air temperature | 10 | 43 |
| Water temperature | 5 | 38 |
| Water pressure | 1 bar (14 psi) | 5 bar (70 psi) |
| Electrical voltage | -10% | +10% |

IMPORTANT NOTICE:
Models and specifications are subject to change without notice.
This spec sheet is meant for commercial purpose only.
For technical documentation please refer to our service manuals.

www.scotsman-ice.it
www.scotsman-ice.com

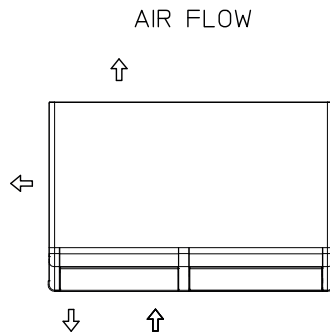
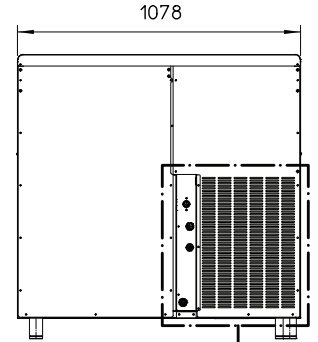
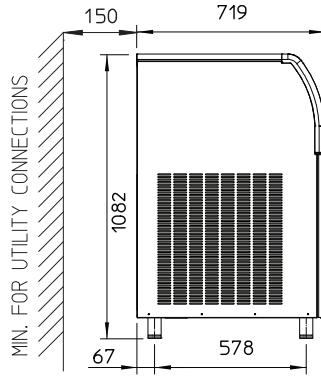
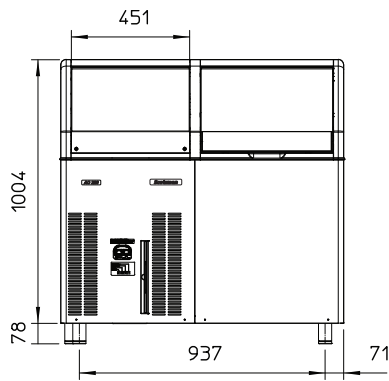
Self Contained Ice Machine 145 kg

AC 226

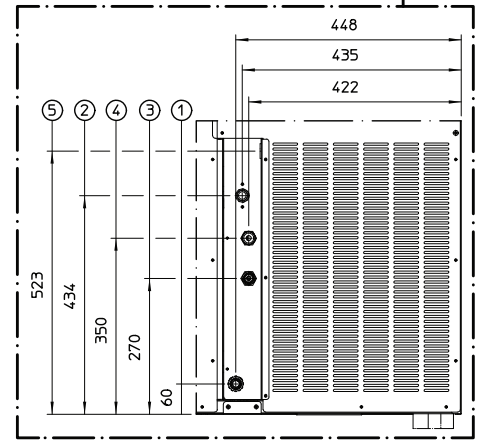
Self Contained Ice Machine 145 kg

| |
|-----------|
| Item #: |
| Project: |
| Quantity: |

Self Contained Ice Machine 145 kg



- UNIT OF MEASUREMENT: mm
1. 3/4" OD - OVERFLOW DRAIN
 2. 3/4" GAS - WATER INLET
 3. 3/4" GAS - WATER OUTLET WATER COOLED UNIT ONLY
 4. 3/4" GAS - WATER INLET WATER COOLED UNIT ONLY
 5. CORD SET



| UNIT DATA | | SHIPPING DATA | | (*) Data refer to 32°C Amb. / 21°C Water temperature conditions | | | | | | | | | |
|------------------|----------|---|-----------|---|------------------------|----------------------|-----------------|---------------|------------|------------------------|----------------|--|--|
| Size (W x D x H) | | 1078 x 719 x 1082 mm | | Carton (W x D x H) | | 1150 x 780 x 1160 mm | | | | | | | |
| Net weight | | 96 kg | | Weight | | 110 kg | | | | | | | |
| Version | Voltage | 24 h ice production kg °C Amb. / °C Water | | | Energy consumption (*) | | Water usage (*) | Instant power | Compressor | Circuit wires | Max. fuse size | | |
| | | 10°C/10°C | 21°C/10°C | 32°C/21°C | kWh/100 kg | kWh/24h | l/h | W | W | No. x Ømm ² | A | | |
| ACL 226 AS | 230/50/1 | 134 | 128 | 101 | 23.6 | 23.7 | 11.3 | 1150 | 2650 | 3 x 1.5 | 16 | | |
| ACL 226 WS | 230/50/1 | 150 | 130 | 100 | 15.0 | 19.5 | 141.7 | 800 | 2650 | 3 x 1.5 | 16 | | |
| ACM 226 AS | 230/50/1 | 145 | 142 | 110 | 22.0 | 24.2 | 13.8 | 1150 | 2650 | 3 x 1.5 | 16 | | |
| ACM 226 WS | 230/50/1 | 150 | 147 | 130 | 14.8 | 19.2 | 139.2 | 800 | 2650 | 3 x 1.5 | 16 | | |
| ACS 226 AS | 230/50/1 | 145 | 140 | 110 | 22.5 | 24.7 | 16.7 | 1150 | 2650 | 3 x 1.5 | 16 | | |
| ACS 226 WS | 230/50/1 | 145 | 140 | 110 | 22.5 | 24.7 | 139.2 | 1300 | 2650 | 3 x 1.5 | 16 | | |
| ACL 226 AS | 230/60/1 | 148 | 143 | 105 | 25.0 | 26.0 | 14.0 | 1400 | 3100 | 3 x 1.5 | 16 | | |
| ACL 226 WS | 230/60/1 | 147 | 143 | 114 | 23.3 | 26.4 | 141.7 | 1150 | 2650 | 3 x 1.5 | 16 | | |
| ACM 226 AS | 230/60/1 | 145 | 142 | 110 | 25.6 | 28.1 | 15.8 | 1150 | 3100 | 3 x 1.5 | 16 | | |
| ACM 226 WS | 230/60/1 | 145 | 142 | 110 | 25.6 | 28.1 | 139.2 | 1150 | 3100 | 3 x 1.5 | 16 | | |