

## [ UNDERCOUNTER UNIT ]

V.2

### BUCR & BUCF GN1-SERIES

Refrigerator / freezer

*BUCR-GN1-1795  
with optional cylinder locks and stainless steel work top.*

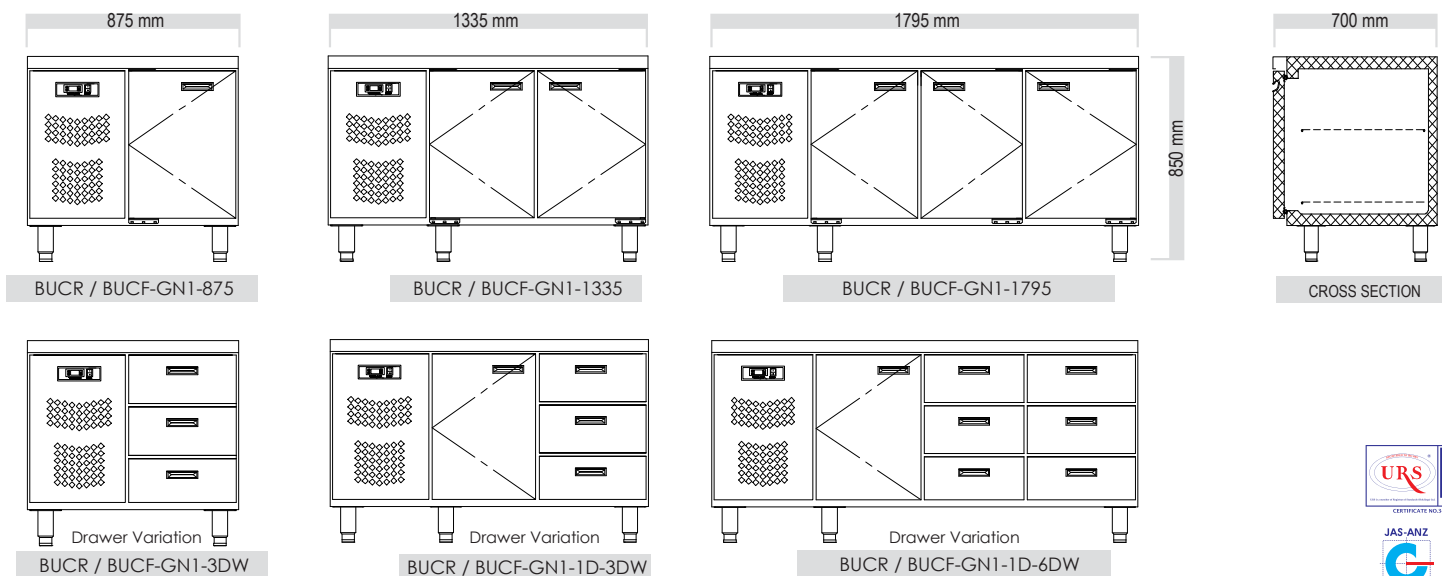


*GN 1/1 Undercounter*

#### STANDARD FEATURES

- Insulation** High structural strength Polyurethane Foamed-in-place insulation.
- Finish** Tough, hygienic construction, exterior bodies are stainless steel 430 no.4 finish. Door frame and mullion are of 430 grade stainless steel for magnetic gaskets. Interior is stainless steel 430 2B finish. Stainless steel top. Base and back are zincalume. Choices different profile of top and backsplash.
- Body & Door** Self closing door with easily replaceable magnetic gasket. Mullion heater are standard for freezer units but optional for refrigerator. Double pane heat reflective glass doors available as options.
- Refrigerator system** Self-contained, easily removable, left or right condensing unit. Fitted with condensate evaporator, no drain connection required.
- Controller** Multi-function microprocessor controlled with digital temperature display.
- Refrigerant** • R134a for refrigerator • R404a for freezer.
- Temperature range** • Refrigerator 2 °C to 5 °C • Freezer -15 °C to -18 °C
- Model Variations** • 2 x 150mm H drawer per section in place of SS door  
• 3 x 100mm H drawer per section in place of SS door
- Shelves** Complete with 2 pieces PVC coated wire shelf per door.
- Options**
  - Stainless steel wire shelf.
  - Glass door instead of S/S door.
  - Marble or granite top.
  - Stainless steel base and back.
  - Swivel castors.
  - Locking plate or cylinder locks.

TECHNICAL DATA	Refrigerated Models			Freezer Models		
Refrigerator model	BUCR-GN1-875	BUCR-GN1-1335	BUCR-GN1-1795	BUCF-GN1-875	BUCF-GN1-1335	BUCF-GN1-1795
Dimension D x H (mm.)	875 x 700 x 850	1335 x 700 x 850	1795 x 700 x 850	875 x 700 x 850	1335 x 700 x 850	1795 x 700 x 850
Capacity Litres	141	312	460	141	312	460
Current consumption (Amps)	2.66	3.54	4.68	2.96	2.52	4.83
Compressor (hp)	1/5	1/3	1/3	1/2	3/8	1/2
Shelves	2	4	6	2	4	6
Power supply	220-240 V / 50 Hz / 1 Ph (60 Hz models are available)					



## [ UNDERCOUNTER UNIT ]

V.2

### BUCR & BUCF GN<sub>2</sub>-SERIES

Refrigerator / freezer

BUCR-GN2-2395

with optional cylinder locks and stainless steel work top.



GN 1/1 Undercounter

#### STANDARD FEATURES

<b>Insulation</b>	High structural strength Polyurethane Foamed-in-place insulation.
<b>Finish</b>	Tough, hygienic construction, exterior bodies are stainless steel 430 no.4 finish. Door frame and mullion are of 430 grade stainless steel for magnetic gaskets. Interior is stainless steel 430 2B finish. Stainless steel top. Base and back are zincalume. Choices different profile of top and backsplash.
<b>Body &amp; Door</b>	Self closing door with easily replaceable magnetic gasket. Mullion heater are standard for freezer units but optional for refrigerator. Double pane heat reflective glass doors available as options.
<b>Refrigerator system</b>	Self-contained, easily removable, left or right condensing unit. Fitted with condensate evaporator, no drain connection required.
<b>Controller</b>	Multi-function microprocessor controlled with digital temperature display.
<b>Refrigerant</b>	• R134a for refrigerator • R404a for freezer.
<b>Temperature range</b>	• Refrigerator 2 °C to 5 °C • Freezer -15 °C to -18 °C
<b>Model Variations</b>	• 2 x 150mm H drawer per section in place of SS door • 3 x 100mm H drawer per section in place of SS door
<b>Shelves</b>	Complete with 2 pieces PVC coated wire shelf per door.
<b>Options</b>	<ul style="list-style-type: none"> <li>• Stainless steel wire shelf.</li> <li>• Glass door instead of S/S door.</li> <li>• Marble or granite top.</li> <li>• Stainless steel base and back.</li> <li>• Swivel castors.</li> <li>• Locking plate or cylinder locks.</li> </ul>

TECHNICAL DATA	Refrigerated Models			Freezer Models		
Refrigerator model	BUCR-GN2-1075	BUCR-GN2-1735	BUCR-GN2-1795	BUCF-GN2-1075	BUCF-GN2-1735	BUCF-GN2-2395
Dimension D x H (mm.)	1075 x 765 x 850	1735 x 765 x 850	2395 x 765 x 850	1075 x 765 x 850	1735 x 765 x 850	2395 x 765 x 850
Capacity Litres	224	470	701	224	470	701
Current consumption (Amps)	2.73	4.68	4.85	3.03	4.83	4.69
Compressor (hp)	1/5	1/3	1/3	1/2	1/2	1/2
Shelves	2	4	6	2	4	6
Power supply	220-240 V / 50 Hz / 1 Ph (60 Hz models are available)					

