

INSTANT-MATE



Under-counter Model



WM-35UH
HOT



WM-35UHC
HOT + CHILLED

Compact Model



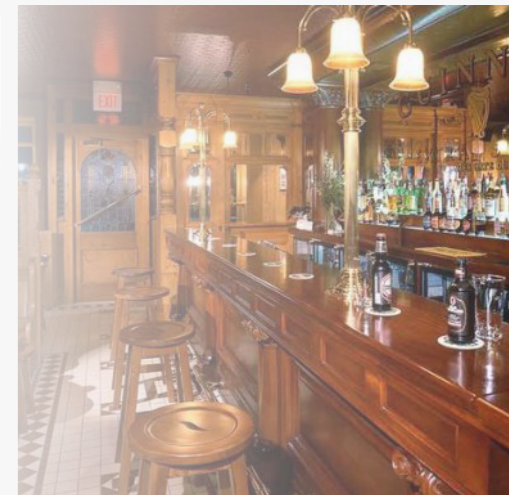
WM-12



WM-30



WM-35



Highlighted Features



1. Under-counter water tank for WM-35UHC (left) WM-35UH (right)

- The beauty of having all features & benefits from the counter-top models without compromising work-top space
- "All-in-one" deck-mounted faucet with an automatic "one press" dispense
- Water output temperature: **(Hot) 92°C-97°C (Chilled) 10°C** (WM-35UHC only)
- Environmental friendly **Non-CFC R134a** refrigerant (WM-35UHC only)
- Perfect for service counters & bars

Optional Accessories

Please refer to the page 7 for more information.

Highlighted Features



1. Equipped with drip tray

- Easy installation with a 13 Amp socket
- Optional wall-mounted bracket available
- Automatic "one press" dispense for WM-12 & WM-30
- Durable Tomlinson drip-free faucet for WM-35

Optional Accessories

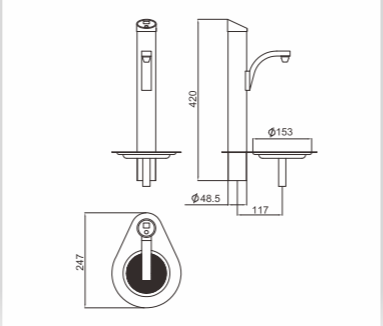
Please refer to the page 7 for more information.

Specifications

Model	WM-35UH	WM-35UHC
Faucet Dimension (mm)	∅ 48.5 x (345 + 90) H	∅ 48.5 x (345 + 90) H
Tank Dimension (mm)	212 W x 235 D x 471 H	530 W x 530 D x 400 H
Voltage	220/SPN	220V/SPN
Loading (kW)	2.0	2.0 (Hot) / 0.5 (Chilled)
Refrigerant	N/A	Non-CFC R134a
Water Inlet	DN15	DN15
Output (L/hr)	28.5	28.5 (Hot) / 20.0 (Chilled)
Output (Glass/hr)	114	114 (Hot) / 80 (Chilled)

* All specifications are subject to change without prior notice

Faucet



Specifications

Model	WM-12	WM-30	WM-35
Dimension (mm)	212 W x 312 D x 426 H	300 W x 282 D x 463 H	212 W x 366 D x 471 H
Voltage	220-240V / SPN		
Loading (kW)	1 - 1.2	1.5 - 1.78	2 - 3.36
Water Inlet	DN15		
Output (L/hr)	14.5	23.5	28.5
Output (Glass/hr)	58	94	114
Net Weight/ Gross Weight (kg)	5.5 / 6.5	8 / 9	8 / 9

* All specifications are subject to change without prior notice



INSTANT-MATE



Standard / Slim Model



WM-60 / 80



WM-60F / 80F

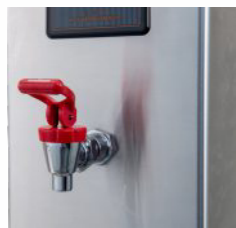
Heavy Duty Model



WM-100 / 180 / 200



Highlighted Features



1. Durable Tomlinson drip-free faucet

- Selection of various water output levels in the same size of the equipment
- Optional wall-mounted bracket available for WM-60 & WM-80
- Slim design on WM-60F & WM-80F for the maximum water output in limited space
- Faucet location on WM-60F & WM-80F designed for fitting tall containers

Optional Accessories

Please refer to the page 7 for more information.

Specifications



Model	WM-60	WM-80	WM-60F	WM-80F
Dimension (mm)	340 W x 225 D x 631 H		220 W x 370 D x 625 H	
Voltage	220-240V / SPN	380-415V / TPN	220-240V / SPN	380-415V / TPN
Loading (kW)	2.85 - 3.36	6 - 7.08	2.85 - 3.36	6 - 7.08
Water Inlet	DN15			
Output (L/hr)	49.5	90	44	84.5
Output (Glass/hr)	198	360	176	338
Net Weight/ Gross Weight (kg)	11 / 13		13 / 15	

* All specifications are subject to change without prior notice

Highlighted Features



1. Double Tomlinson drip-free faucet for heavy duty usage

- Continuous hot water supply without any reheating time
- High level of water output up to 282.5L/hr or serve 1,130 glasses of hot water (250ml/glass) per hour

Optional Accessories

Please refer to the page 7 for more information.

Specifications



Model	WM-100	WM-180	WM-200
Dimension (mm)	510 W x 310 D x 930 H		
Voltage	380-415V / TPN		
Loading (kW)	9 - 10.62	15 - 17.7	18 - 21.24
Water Inlet	DN15		
Output (L/hr)	166.5	244	282.5
Output (Glass/hr)	666	976	1130
Net Weight/ Gross Weight (kg)	25 / 29		

* All specifications are subject to change without prior notice

