

**ecomax**<sup>TM</sup>  
by **HOBART**

# G404

**UNDERCOUNTER  
GLASSWASHERS**



made in germany

**ECOMAX**  
**IT'S YOUR CHOICE!**  
**LOW PRICE**  
**HIGH PERFORMANCE**

**TECHNICAL DATA,**  
**FEATURES AND DRAWINGS**

made in germany



The entry-level models for those who search for a low-cost dishwasher for commercial use. Ideal for start-ups and companies with irregular washing frequency, which invest in a dishwasher for the first time. **ecomax** meets all requirements for hygienic wash results.



## ECOMAX G404 COMPACT GLASSWASHER

*The fast and reliable glasswasher in compact design. Perfect for start-ups, small bars or restaurants.*

### FEATURES

- Electronic control with digital temperature indication for easy operation
- Rotating wash and rinse arms for an even water distribution
- Indented nozzles prevent blocking
- Integrated counter for cycles and water consumption, e.g. for control of water treatment system
- Deep drawn rack track for easy cleaning
- USB connection for easier service access
- Incl. connection cable, supply and drain hose for immediate operation
- Thermostop function for guaranteed temperatures
- Self-cleaning programme for hygienic cleanliness also in the machine (G404-20B)
- Switchable to thermolable temperature setting (G404-20B)



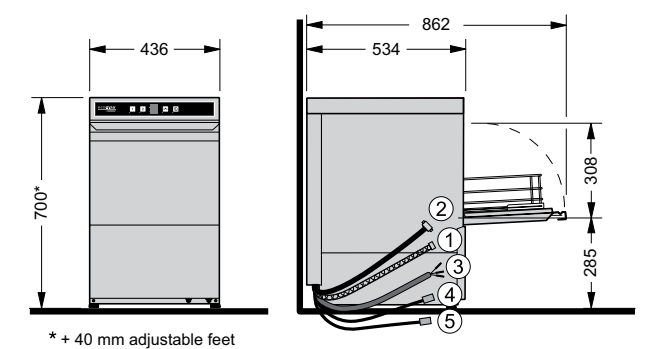
MODELS	ecomax™ by HOBART	
	G404-10B	G404-20B
Cycle times*	60 / 120 sec.	60 / 120 sec.
Capacity cycles	60 /h	60 /h
Tank capacity	10 l	10 l
Water consumption	2 l/rack	2 l/rack
Wash pump	0.2 kW	0.2 kW
Tank heating	1.8 kW	1.8 kW
<b>BOOSTER HEATING</b>		
Standard	1.9 kW (230 V)	1.9 kW (230 V)
Alternative	5.6 kW (400 V)	5.6 kW (400 V)
<b>TOTAL LOADING</b>		
Standard	2.1 kW (230 V)	2.1 kW (230 V)
Alternative	5.8 kW (400 V)	5.8 kW (400 V)
Rated voltage	230/50/1 (400/50/3N)	230/50/1 (400/50/3N)
Width	436 mm	436 mm
Depth	534 mm	534 mm
Height	700 mm	700 mm
Loading height	308 mm	308 mm
Rack size	390 x 390 mm	390 x 390 mm

MODELS	GLASSWASHER	
	G404-10B	G404-20B
External water treatment system**	–	○
Double walled door	●	●
Drain pump	○	●
Rinse pressure pump ***	–	●
Rinse aid dispenser	●	●
Detergent dispenser	○	●
Glass rack (4 sloped rows)	●	●
Cutlery box CB-1	●	●

\* For machine protection the water hardness should not exceed 3°dH, if higher we recommend using an integrated water softener or an external water treatment system.  
 \*\* For use of an external water treatment system, an integrated rinse pressure pump is necessary.  
 \*\*\* Necessary flow pressure without rinse pressure pump: 2-4 bar.  
 Flow pressure with integrated rinse pressure pump: 0,8-4 bar

● inclusive ○ optional – not available

### Glasswasher model G404



① Drain hose ② Supply hose ③ Power cord ④ Detergent <sup>a)</sup> ⑤ Rinse aid <sup>a)</sup>  
<sup>a)</sup> depending on the device chemical dispensers are not included

\* The machines are equipped with an automatic cycle-time control which ensures hygienic rinse temperatures even on a cold-water supply or with reduced heating performance.

\* Hot water connection \*\*with 230/50/1  
 60 Hz versions are available for an extra charge. (min. lot size of 5 machines)