



WAREWASHING  
RACK-TYPE DISHWASHER

**PROFI CS**





## SIMPLE – STRONG – RELIABLE

The **PROFI CS** is HOBART's smallest rack-type dishwasher and stands for top quality and absolute reliability.

If the capacity of a hood-type dishwasher is not sufficient to meet your needs, the **PROFI CS** is the perfect solution.

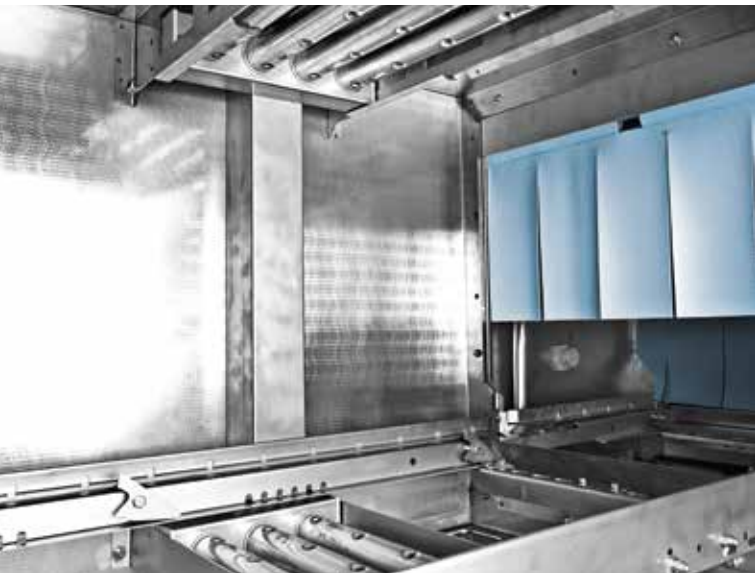
By using the optional heat recovery, you can save up to 7 kWh in energy.



## BEST WASH RESULT

### POWERFUL WASHING

The combination of four upper and three lower wash arms leads to perfect results.



### THOROUGH DUAL RINSE

A second rinsing zone is integrated prior to the actual final rinse. Here, the fresh water collected in the receiving pan is used a second time in an additional pre-rinse. The optional dual rinse ensures a sparkling wash every time.



### WIDE ANGLE NOZZLE

Wash efficiency largely depends on the distribution of the wash water and on avoiding any masked areas. Spraying angles and the precision of the wash jets are vital factors in achieving a powerful, searching wash action and the patented wide angle nozzles provide a substantially broader and more precise spray pattern. Compared with conventional wash arm systems the wash water is distributed more efficiently, masking is avoided and the wash result, especially in the corners, is considerably improved.



### NON-CLOGGING NOZZLE

The indented nozzles cannot be obstructed, resulting in a constantly powerful wash and perfect quality results.

### PRACTICAL DRYER

A perfect wash means not only sparkling clean, but also dry tableware. The optional dryer fulfils these requirements quickly and precisely, allowing rapid reuse of all washed items.

## EASY HANDLING

### CLEAR OPERATING PANEL

Turn on and start at the touch of a button. All other important functions are performed by the controller. A temperature display can be included if required.



### DROP-IN WASH SYSTEM

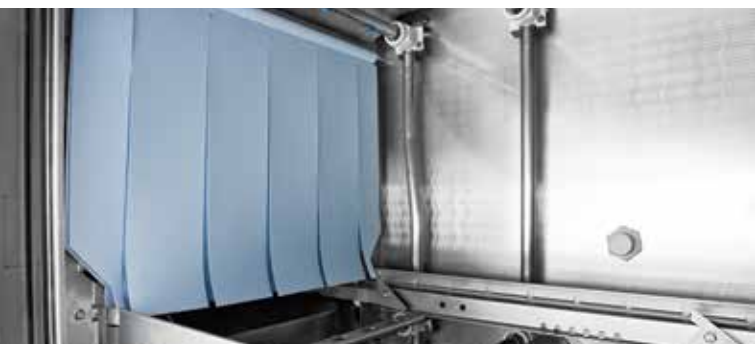
Simple removal and secure insertion of the wash system on drawer runners as well as easy opening and closing of the wash arm through a bayonet wash arm fitting.

### CODED WASH AND RINSE ARMS

The wash and rinse arms are clearly designed to prevent risk of confusion when inserting.

### CODED CURTAINS

Easy to take out and insert. The clear marking on the wash curtains prevents confusion when inserting.



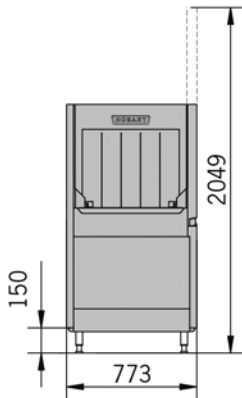
## HIGH LEVEL OF ECONOMY

### TOP-TEMP ENERGY MANAGEMENT

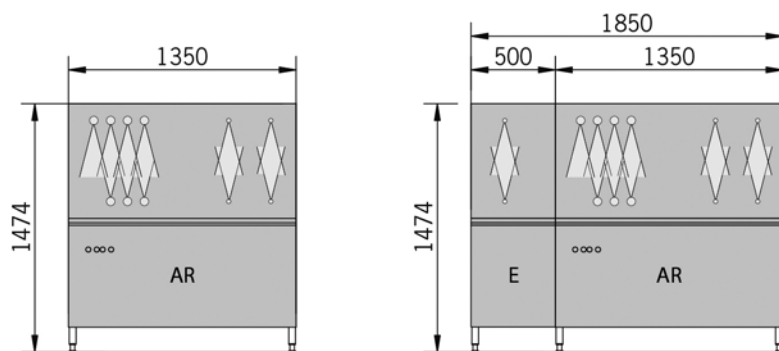
A conventional flight-type dishwasher loses about 80 % of the energy available in the machine by sensitive and latent heat emission. This is primarily due to rinsing with heated fresh water, and to the air and temperature compensation between the machine zones. The consequences are a relatively high energy consumption and a heavy contamination of the work space with steam. The patented Energy Management supplied as a standard prevents losses before they occur. In this system, the hot machine zones are enclosed by the cooler zones such as pre-wash and drying. The resulting temperature curtain ensures that air exchange can only take place within the machine. Energy management reduces the loss of energy by up to 20 %.

## DRAWINGS

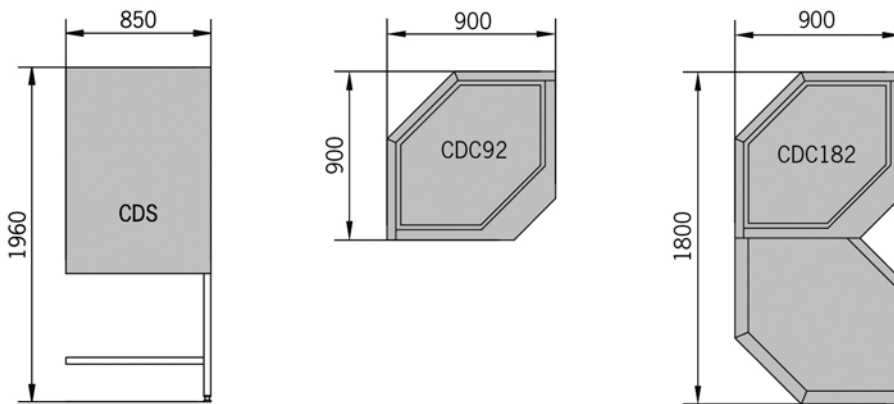
ENTRY SECTION



WASHING



DRYING ZONE



Loading height: 440 mm  
Loading width: 510 mm

## TECHNICAL DATA

RACKS Capacity maximum	CONVEYOR SPEED	WATER CONSUMPTION <sup>[1]</sup>		ENERGY CONSUMPTION kWh (connected load kW) with heat recovery	RECOMMENDED MODEL SELECTION	RECOMMENDED TOTAL LENGTH  in mm, without drying zone
		l/h	l/rack <sup>[2]</sup>			
number/h	m/min					
80 / 120 <sup>[1]</sup>	0.67 / 1,0 <sup>[1]</sup>	230 <sup>[1]</sup>	1.9	31.0 (33.2)	CS-A	1,350
100 / 150 <sup>[1]</sup>	0.83 / 1.25 <sup>[1]</sup>	240 <sup>[1]</sup>	1.6	31.0 (33.4)	CS-E-A	1,850

<sup>[1]</sup> Using dual rinse

<sup>[2]</sup> Using dual rinse ideal values



### THE COMPANY

HOBART is the world market leader in commercial warewashing technology and renowned manufacturer of cooking, food preparation and waste technology. Established 1897 in Troy, Ohio, HOBART today employs more than 6,900 employees around the world. At our manufacturing plant in Offenburg, Germany, HOBART develops, produces, and distributes warewashing technology worldwide. All over the world, the hotel and catering trade, cafeterias, bakeries and butcher shops, supermarkets, airlines, cruise ships, automotive suppliers, research centres and pharmaceutical companies swear by our innovative products, which are considered to be economical and ecological market leaders.

### OUR FOCUS

#### INNOVATIVE - ECONOMICAL - ECOLOGICAL

This is our philosophy. To us, innovation means continuously setting new standards in technology, combined with real added value for the customer. An enterpriseowned technological centre and an innovation centre for warewashing technology at our headquarters in Germany make this possible. Highly efficient products are created with bundled innovation, which continuously confirm our status as technological leader. To be economical means to set standards in relation to the lowest operating costs and minimal use of resources, and to revolutionise the market continuously. To be ecological means a responsible handling of resources and a sustainable energy policy. This applies not only to the product in use, but in general to all areas of the organisation, such as purchasing or manufacturing.

WHENEVER THE FIRST  
MACHINE WILL BE CAPABLE OF  
WASHING WITHOUT WATER –  
IT WILL BE A HOBART.

We provide this promise of quality to our customers,  
and it represents our personal standard upheld  
by all our staff at HOBART.

## OUR VISION - WASH WITHOUT WATER

Intensive market research has shown, that our customers expect warewashing technology that combines efficiency with optimal performance. We hold ourselves to these claims, and they form the foundation for our vision of „washing without water“. This vision is our continuous incentive to walk on new paths in order to constantly reduce the water, energy and chemical consumption. Step by step, we would like to come closer to our goal with innovative excellence, and we already know: Whenever the first machine will be capable of washing without water – it will be a HOBART.


## HOBART COMPETENT - FAST - RELIABLE

HOBART service technicians as well as HOBART service partners are the “real” experts. Thanks to intensive training and many years of experience, these technicians have a unique and profound knowledge of the product. Maintenance and repair work is therefore always carried out professionally, fast, and reliably.



**DEUTSCHLAND/ÖSTERREICH****HOBART GMBH**

Robert-Bosch-Straße 17 | 77656 Offenburg  
Tel.: +49(0)781.600-0 | Fax: +49(0)781.600-23 19  
info@hobart.de | www.hobart.de

 Werkkundendienst 0180.345 62 58  
für Österreich 0820.24 05 99

Zentraler Verkauf 0180.300 00 68

**NEDERLAND****HOBART NEDERLAND B.V.**

Pompmolenlaan 12 | 3447GK Woerden  
Tel.: +31(0)348.46 26 26  
Fax: +31(0)348-43 01 17  
info@hobart.nl  
www.hobart.nl

**KOREA****HOBART KOREA LLC**

7th Floor | Woosan Bldg | 108 | Bangi-dong  
Songpa-gu | Seoul 138-050  
Phone: +82(0)2 34 43 69 01  
Fax: +82(0)2 34 43 69 05  
contact@hobart.co.kr  
www.hobart.co.kr

**SCHWEIZ****GEHRIG GROUP AG**

Bäulerwisenstrasse 1 | 8152 Glattbrugg  
Tel.: +41(0)43.211 56-56  
Fax: +41(0)43.211 56-99  
info@gehriggroup.ch  
www.gehriggroup.ch

**NORGE****HOBART NORGE**

Gamle Drammensvei 120 A | 1363 HØVIK  
Tel.: +47 67 10 98 00  
Fax: +47 67 10 98 01  
post@hobart.no  
www.hobart.no

**JAPAN****HOBART (JAPAN) K.K.**

Suzunaka Building Omori  
6-16-16 Minami-Oi | Shinagawa-ku | Tokyo 140-0013  
Phone: +81(0)3 5767 8670  
Fax: +81(0)3 5767 8675  
info@hobart.co.jp  
www.hobart.co.jp

**FRANCE****COMPAGNIE HOBART**

ZI PARIS EST - Allée du 1er Mai - B.P. 68  
77312 MARNE LA VALLEE Cedex 2  
Téléphone: +33(0)1 64 11 60 00  
Fax: +33(0)1 64 11 60 01  
contact@hobart.fr  
www.hobart.fr

**SVERIGE****HOBART SCANDINAVIA APS**

Box 2101 | 196 02 Kungsängen  
Tel.: +46 8 584 50 920  
Fax: +46 8 584 50 929  
info@hobart.se  
www.hobart.se

**SINGAPORE****HOBART INTERNATIONAL (S) PTE LTD**

158 | Kallang Way | #06-03/05  
Singapore 349245  
Phone: +65(0)6846 7117  
Fax: +65(0)6846 0991  
enquiry@hobart.com.sg  
www.hobart.com.sg

**UNITED KINGDOM****HOBART UK**

Southgate Way | Orton Southgate  
Peterborough | PE2 6GN  
Phone: +44(0)844 888 7777  
customer.support@hobartuk.com  
www.hobartuk.com

**DANMARK****HOBART SCANDINAVIA APS**

Håndværkerbyen 27 | 2670 Greve  
Tel.: +45 43 90 50 12  
Fax: +45 43 90 50 02  
post@hobart.dk  
www.hobart.dk

**THAILAND****HOBART (THAILAND)**

889 Thai CC building | 31st Floor | Room no. 311  
South Sathorn Rd. | Yannawa | Sathorn  
Bangkok 10120  
Phone: +66(0)2-675-6279 | Fax: +66(0)2-675-6280  
enquiry@hobartthailand.com | www.hobartthailand.com

**BELGIUM****HOBART FOSTER BELGIUM**

Industriestraat 6 | 1910 Kampenhout  
Phone: +32(0)16 60 60 40  
Fax: +32 (0)16 60 59 88  
sales@hobart.be  
www.hobart.be

**AUSTRALIA****HOBART FOOD EQUIPMENT**

Unit 1 / 2 Picken Street | Silverwater NSW | 2128  
Tel.: +61(0)2 9714 0200  
Fax: +61(0)2 9714 0242  
www.hobartfood.com.au

**OTHER COUNTRIES****HOBART GMBH**

Robert-Bosch-Straße 17 | 77656 Offenburg | Germany  
Phone: +49(0)781.600-28 20  
Fax: +49(0)781.600-28 19  
info-export@hobart.de  
www.hobart-export.com

Die Angaben in diesem Prospekt beruhen auf dem Stand 04/2016. Technische Änderungen oder Änderungen der Ausführung bleiben vorbehalten.

The details given in this brochure are correct as of 04/2016. We reserve the right to technical or design modifications.

Document non contractuel. Les indications de ce prospectus sont conformes à la mise à jour de 04/2016. Nous nous réservons le droit de modifier les données ou les configurations techniques de nos machines.

