



701 S Ridge Avenue, Troy, OH 45374  
1-888-4HOBART • www.hobartcorp.com

## CL64e DISHWASHER



### STANDARD FEATURES

- 342 racks per hour
- Opti-RinSe™ system
- Patent Pending Rapid Return Conveyor Drive Mechanism
- Insulated hinged double doors with door interlock switches
- Patent Pending Door Seal System
- 19.5 inch chamber height opening
- Top mounted micro-processor control module
- Energy saver mode
- Dirty water indicator
- Low temperature alert
- Conveyor dwell
- Delime notification
- Service diagnostics
- NAFEM Data Protocol compliant
- Patent Pending Computational Fluid Dynamic Designed Self-Aligning Wash Manifolds
- Stainless steel debossed anti-clogging wash arms
- Patent Pending Removable Integrated Pump Intake Screen
- Stainless steel self-draining pump and impeller
- Single, sloping scrap screen and deep basket
- Stainless panels enclose perimeter and bottom
- Door actuated drain closure
- Single point electrical connection (three phase only)
- Convertible hot water or low temp final rinse
- Vent fan and booster heater control

### DIRECTION OF OPERATION

- Right to Left
- Left to Right

### VOLTAGE

- 208/60/1
- 240/60/1
- 380/60/3
- 208/60/3
- 240/60/3
- 480/60/3
- 600/60/3

### MODEL

- CL64e – Dishwasher

### OPTIONS AT EXTRA COST

- Stainless steel pressure-less 15 KW or 30 KW booster heater
- Higher than standard chamber (24" opening)

### ACCESSORIES

- Stainless steel vent hoods
- Direct drive unloader
- Side loader
- Blower-dryer
- Drain water tempering kit

Specifications, Details and Dimensions on Inside and Back.



CL64e DISHWASHER

# CL64e DISHWASHER

**HOBART**

701 S Ridge Avenue, Troy, OH 45374  
1-888-4HOBART • www.hobartcorp.com

## THE CL<sub>e</sub> WAREWASHER IS NOW STANDARD WITH MORE EFFICIENT FEATURES THAN EVER . . .

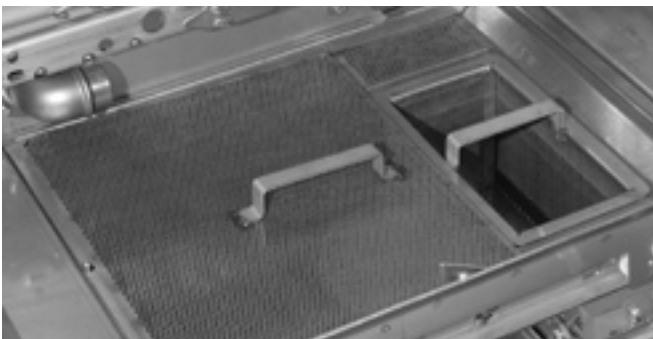
Inside and out the CL<sub>e</sub> warewashers by Hobart are packed with standard components and patented design innovations that make them the biggest value in the dishwasher industry.



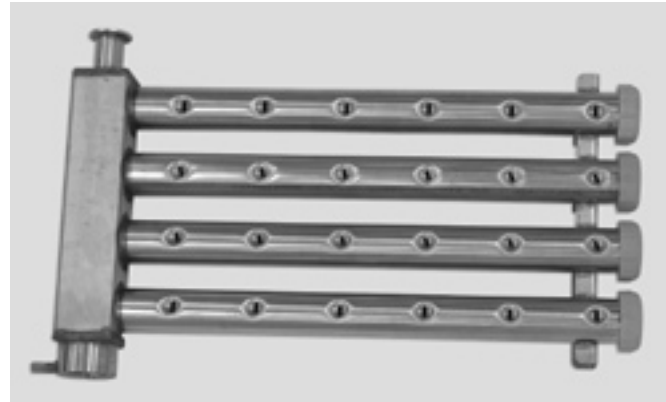
The insulated hinged inspection doors provide easy access in the chamber. Exterior wash pipes and reduced interior baffles reduce clean-up time. The patent pending Rapid Return drive allows for a wide separation between the wash and the rinse zone.



The Hobart exclusive microprocessor control module offers a choice of many features, such as an exclusive Energy Saver Mode, Low Temperature Alerts, and Dirty Water Indicator. It also displays pertinent machine status and has a Delime Notification. The controls have built-in Service Diagnostics and are NAFEM Data Protocol Compliant.



**Soil Management System.** Screen design sheds soil more easily than flat screens, reduces frequency of cleaning — easy to empty large soil particles . . . Just lift out the scrap basket.



**Wash Manifolds.** Patent pending Computational Fluid Dynamic designed wash manifolds are self-aligning and come with Hobart's signature debossed anti-clogging nozzles for superior result.



**Opti-RinSe™.** Hobart's exclusive patent pending Opti-RinSe™ significantly reduces operating cost by reducing rinse water and the energy required to heat the water. The unique spray pattern uses large droplets to more efficiently sanitize the ware.

## OTHER STANDARD FEATURES . . .

- **Patent Pending Thermal Layer Curtains** help keep the heat inside the machine.
- **Patented Ball Detent Clutch Conveyor Drive** for maximum protection against conveyor Jams
- **Patent Pending Integrated Removable Pump Intake Screen** to offer the ultimate guard of keeping debris from entering the pump.
- **Patent Pending Hinged Door Seals** and stainless steel labyrinth seal for drip-free operation
- **Low-Temp Convertibility In Field.** All machines shipped hot. Change software in field at set up to low temperature if desired — then, if requirements change, convert from one mode to the other in the field. An exclusive feature — standard from Hobart.
- **Door Actuated Drain Closure.** Closing the door automatically actuates drain closure, eliminates extra manual steps, ensures that closure is in the correct position.



701 S Ridge Avenue, Troy, OH 45374  
1-888-4HOBART • www.hobartcorp.com

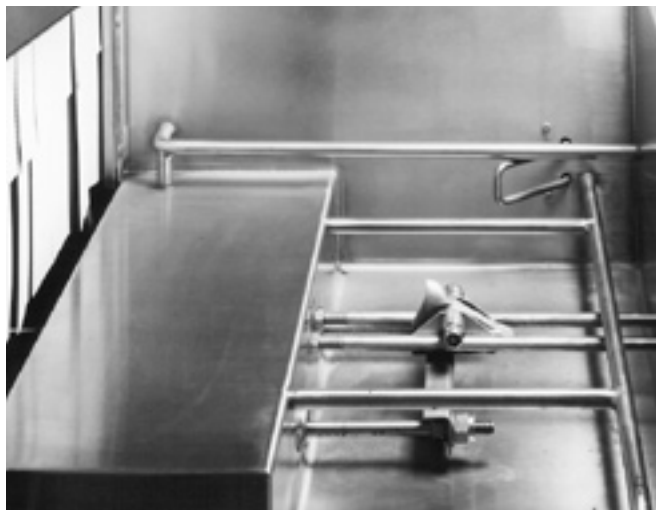
# CL64e DISHWASHER

## AVAILABLE OPTIONS AND ACCESSORIES . . .

Flexibility is synonymous with Hobart CL<sub>e</sub> dishwashers. If your operation demands a dishwasher with a vent hood, an extended hood . . . a power scrapper, just specify the combination of options that suit your needs.



**Built-in Pressureless Stainless Steel Booster Heater.** Interwired and interplumbed. Saves on installation and saves floor space. Simplifies operation with just one switch to power dishmachine and booster.



**Side Loader.** Save up to 20 square feet in the dishroom layout with an optional C-Line Side Loader. Racks are indexed 90° into the dishwasher automatically – a feature that cuts space and reduces labor dramatically. Your dishroom team will appreciate this feature.

## OTHER AVAILABLE ACCESSORIES . . .

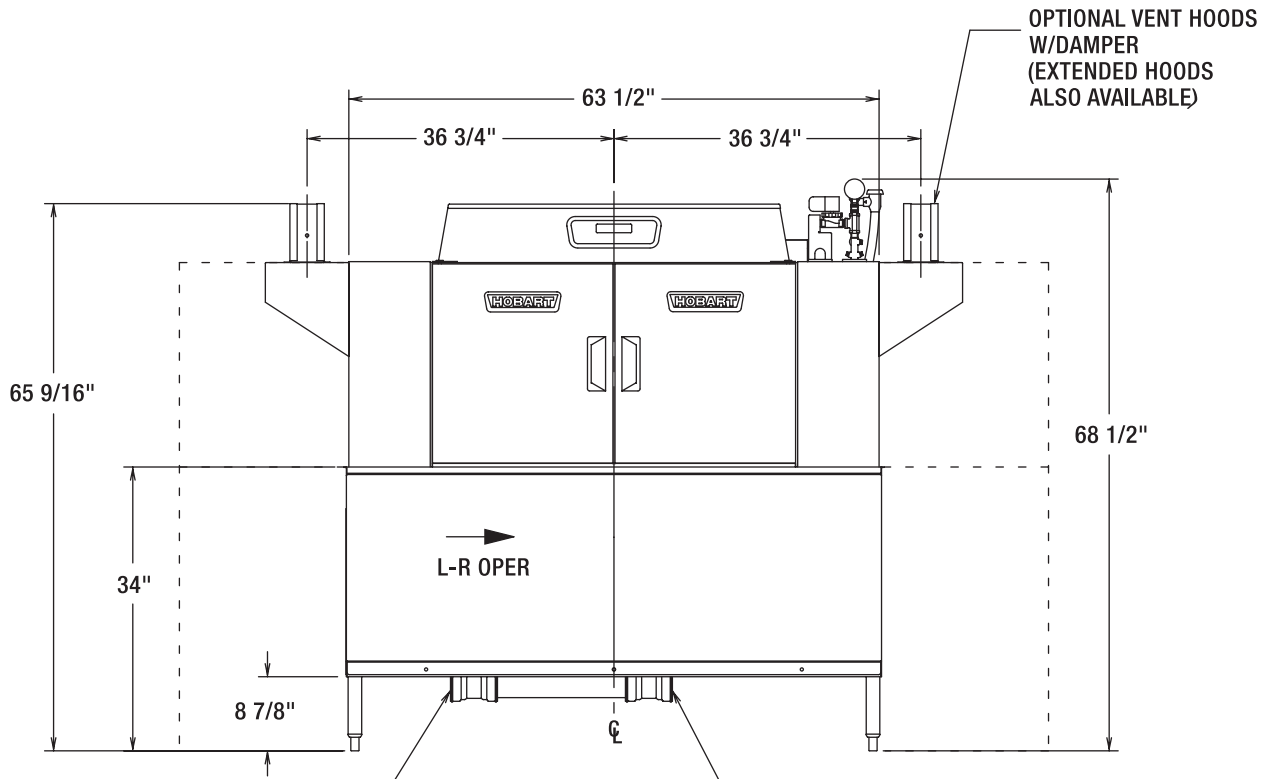
Blower-dryer, steam booster heater, and a single-point electrical connection to include electric booster heater.

	CL64e
<b>Machine Ratings (Mechanical)</b>	
Racks per hour (19¾" x 19¾")	342
Conveyor Speed - feet per minute	9.5 max.
Dishes per Hour (Average 25 per rack)	8,550
Glasses per Hour (Average 45 per rack)	15,390
<b>Floor Space – Table to Table (Inches)</b>	64
<b>Overall Dimensions – H x W x D (Inches)</b>	68½ x 64¾ x 30¼
<b>Motor H.P.</b>	Wash 2 – Rinse 2
<b>Conveyor Drive H.P.</b>	¼
<b>Number of Tanks</b>	2
<b>Tank Capacity – Gallons</b>	Wash 23 – Rinse 22
<b>Pump Capacity – Gallons per Minute - Weir Test</b>	Combined 330
<b>Heating Equipment –</b> (For keeping wash/power rinse hot) Gas Burners (with Natural Gas/LP)	156,000 BTU per hr. (2 - 78,000)
Electric Heating Unit – Size Used	Regulated 25 KW (15-10)
<b>Optional Booster Heater / Final Rinse</b>	15 KW / 30 KW
<b>Rinse – Minutes operated during hour of maximum operation</b>	60
<b>Final Rinse Flow – Gals. per min.</b> At 15 PSI Flow Pressure	1.89
At 20 PSI Flow Pressure	2.2
<b>Final Rinse Flow – Gals. per hr. – MAXIMUM</b> At 15 PSI Flow Pressure	114
At 20 PSI Flow Pressure	132
<b>Rinse 20 PSI Flow Pressure Gal./Rack</b>	Hot Water Sanitizing - Chemical Sanitizing .39 - 180°F – .39 - 120°F
<b>Steam Consumption –</b> Pounds per hr. - MAXIMUM Approx. 30 lbs. per hr. = 1 boiler H.P. (BHP) <b>Dishwasher</b> , based on 20 PSI steam and on customer supplying final rinse water at 180°F maximum	130
<b>Steam Booster</b> , if used on 20 PSI steam - 20 PSI water flowing - 130°F entering water raised to 180°F min.	63
<b>Exhaust Requirements –</b> Cubic Feet per minute	
Entrance End	200
Discharge End	400
<b>Peak Rate of Drain Flow – Gallons per minute.</b> (Initial rate with full tank)	38
<b>Shipping Weight Crated – Approximate lbs.</b>	880

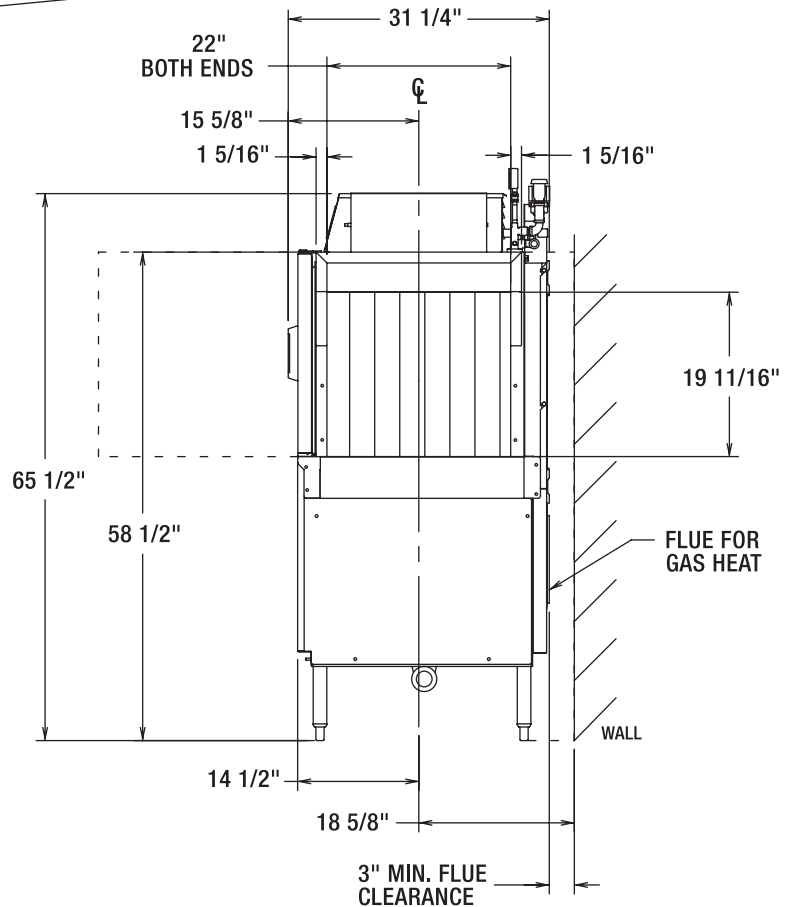
# CL64e DISHWASHER



701 S Ridge Avenue, Troy, OH 45374  
1-888-4HOBART • www.hobartcorp.com



MAY BE DRAINED TO  
EITHER SIDE OF VALVE,  
PLUG OPPOSITE SIDE.



### BOOSTER HEAT 15 KW

ELEC. SPECS.	RATED AMPS	MINIMUM SUPPLY CIRCUIT CONDUCTOR AMPACITY	MAXIMUM PROTECTIVE DEVICE
200-240/50/3	40.1	50	50
380-415/50/3	26.6	30	30
200/50/3	43.3	60	60
208-240/60/3	40.1	50	50
208/60/3	45.0	60	60
240/60/3	40.1	50	50
380/60/3	21.3	30	30
380-415/60/3	23.2	30	30
480/60/3	20.0	25	25
600/60/3	13.5	20	20

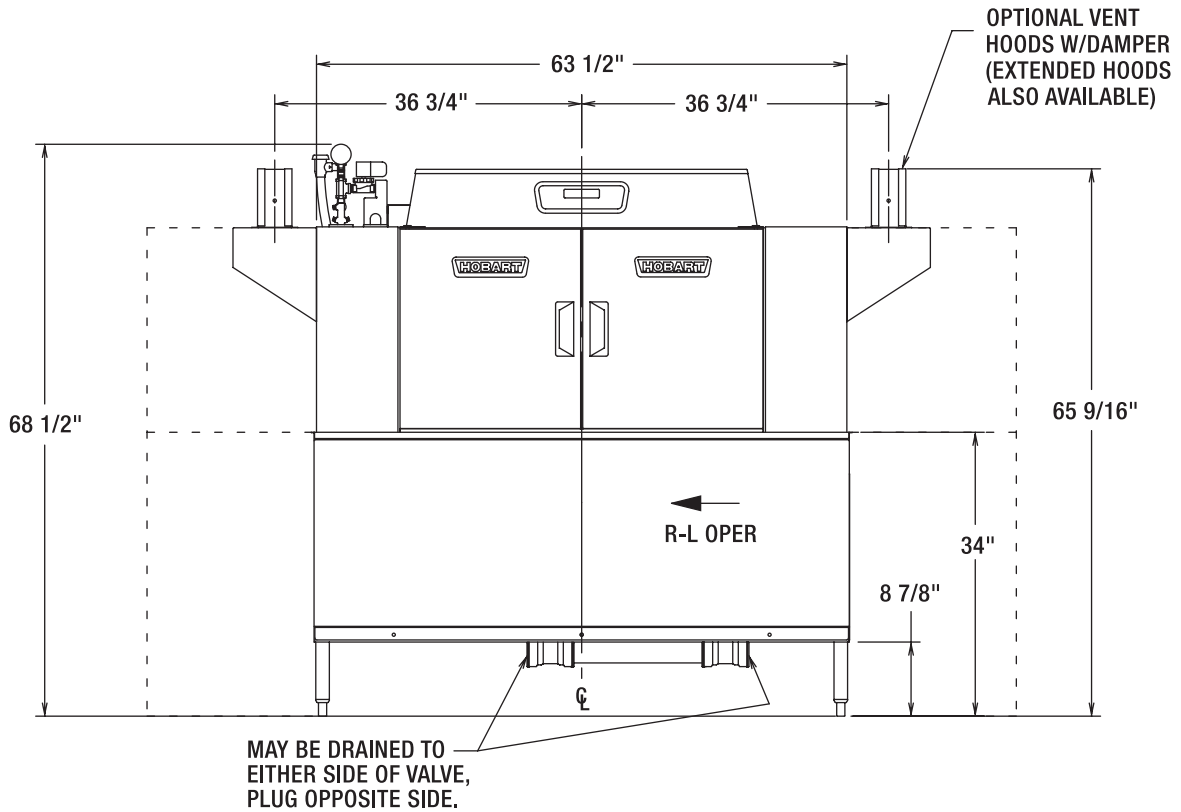
### BOOSTER HEAT 30 KW

ELEC. SPECS.	RATED AMPS	MINIMUM SUPPLY CIRCUIT CONDUCTOR AMPACITY	MAXIMUM PROTECTIVE DEVICE
200-240/50/3	80.2	90	90
380-415/50/3	53.2	60	60
200/50/3	80.8	90	90
208-240/60/3	80.2	90	90
208/60/3	83.9	90	90
240/60/3	80.2	90	90
380/60/3	42.5	60	60
380-415/60/3	46.4	60	60
480/60/3	40.1	50	50
600/60/3	33.7	40	40



701 S Ridge Avenue, Troy, OH 45374  
1-888-4HOBART • www.hobartcorp.com

# CL64e DISHWASHER

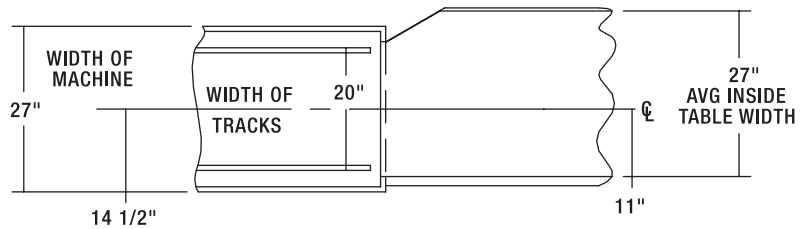


### WARNING

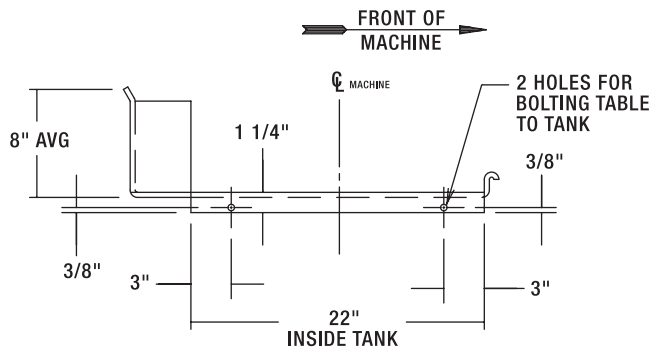
ELECTRICAL AND GROUNDING CONNECTIONS MUST COMPLY WITH THE APPLICABLE PORTIONS OF THE NATIONAL ELECTRICAL CODE AND/OR OTHER LOCAL ELECTRICAL CODES.

**CAUTION:** CERTAIN MATERIALS INCLUDING SILVER, ALUMINUM, AND PEWTER ARE ATTACKED BY SODIUM HYPOCHLORITE (LIQUID BLEACH).

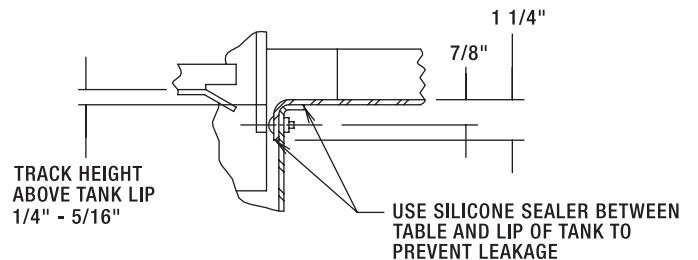
**ATTN:** PLUMBING CONNECTIONS MUST COMPLY WITH APPLICABLE SANITARY, SAFETY, AND PLUMBING CODES.



SUGGESTED TRACK AND TABLE LAYOUT



VIEW SHOWING HOLE LOCATIONS IN TURNED DOWN PORTION OF TABLE



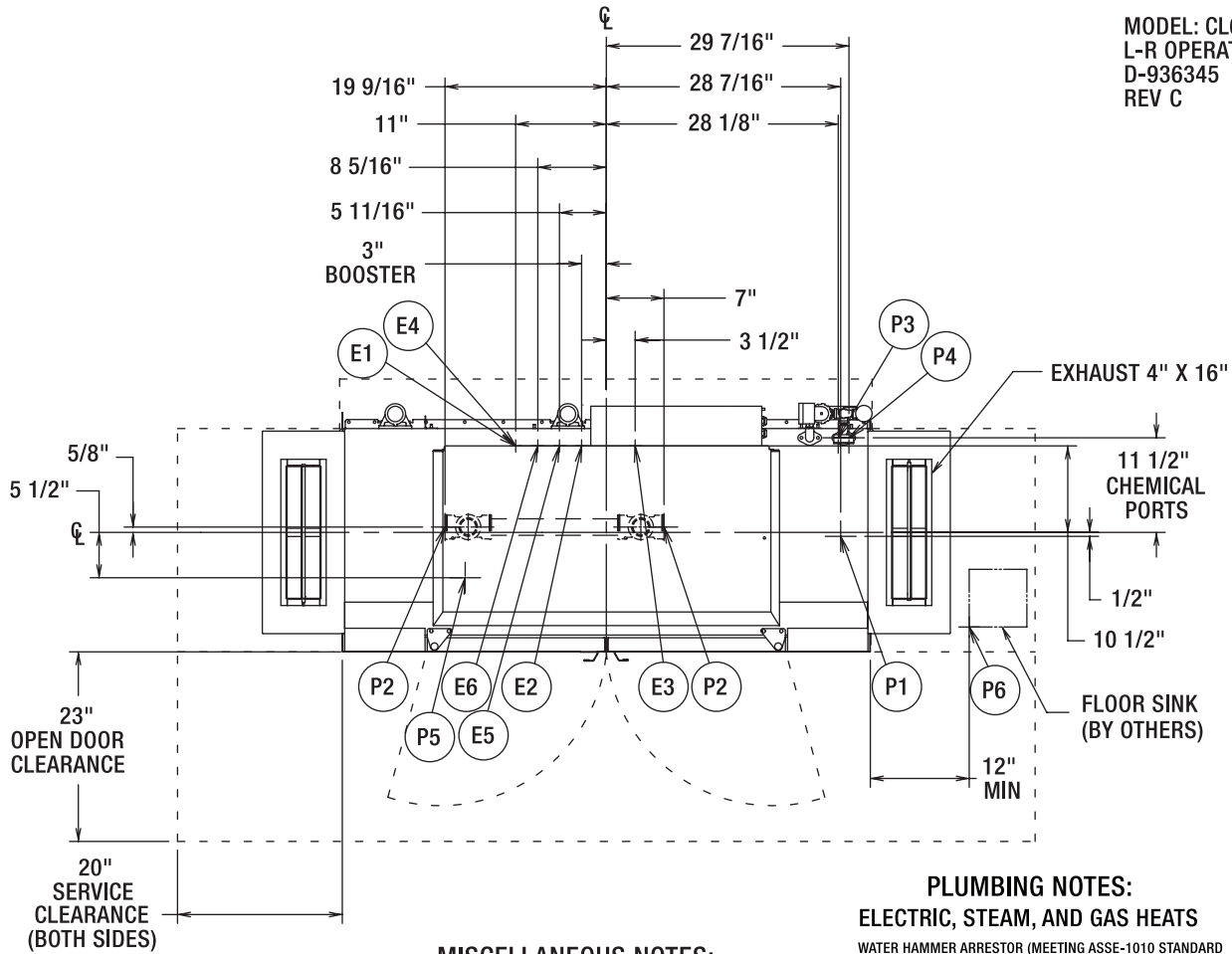
SECTIONAL VIEW SHOWING TABLE CONNECTIONS

# CL64e ELECTRIC L-R



701 S Ridge Avenue, Troy, OH 45374  
1-888-4HOBART • www.hobartcorp.com

MODEL: CL64e  
L-R OPERATION  
D-936345  
REV C



### MISCELLANEOUS NOTES:

OPTIONAL VENT HOODS OR EXTENDED HOODS EXHAUST REQUIREMENTS: 200 CFM ENTRANCE END  
400 CFM EXIT END.

ALL DIMENSIONS TAKEN FROM FLOOR LINE MAY BE INCREASED APPROXIMATELY 3/4" OR DECREASED 1/2".

64" INSIDE TANK (AT TABLE CONNECTION)  
63-25/32" TABLE TO TABLE.

NET WEIGHT OF MACHINE: 704 LBS (STD HEIGHT),  
DOMESTIC SHIPPING WEIGHT: 810 LBS (STD HEIGHT).

### PLUMBING NOTES:

#### ELECTRIC, STEAM, AND GAS HEATS

WATER HAMMER ARRESTOR (MEETING ASSE-1010 STANDARD OR EQUIVALENT) TO BE SUPPLIED (BY OTHERS) IN COMMON WATER SUPPLY LINE AT SERVICE CONNECTION.

RECOMMENDED WATER HARDNESS TO BE 3 GRAINS OR LESS FOR BEST RESULTS.

RECOMMENDED BUILDING FLOWING WATER PRESSURE TO THE DISHWASHER IS 20 PSI, (15 PSI MIN - 25 PSI MAX).

IF PRESSURES HIGHER THAN 25 PSI ARE PRESENT, A PRESSURE REGULATING VALVE WITH INTERNAL THERMAL EXPANSION BY-PASS, MUST BE SUPPLIED (BY OTHERS) IN THE WATERLINE TO THE DISHWASHER.

FOR CONVENIENCE WHEN CLEANING, WATER TAP SHOULD BE INSTALLED NEAR MACHINE WITH HEAVY DUTY HOSE AND SQUEEZE VALVE.

WHEN USED, CHEMICAL SANITIZING FEEDER MUST BE CERTIFIED TO NSF STANDARD 29.

#### SEPARATE SERVICE CONNECTION FOR ELEC. HEAT

##### ELEC. HEAT 15 KW (WASH)

VOLTAGE	RATED AMPS	MINIMUM SUPPLY CIRCUIT CONDUCTOR AMPACITY	MAXIMUM PROTECTIVE DEVICE
208/60/3	45	60	60
240/60/3	43	60	60
480/60/3	22	30	30
200/50/3	43	60	60
380/60/3	23	30	30
380-415/50/3	29	40	40
600/60/3	14.4	20	20
208/60/1	78	100	100
240/60/1	74.4	100	100

#### SEPARATE SERVICE CONNECTION FOR ELEC. HEAT

##### ELEC. HEAT 10 KW (RINSE)

VOLTAGE	RATED AMPS	MINIMUM SUPPLY CIRCUIT CONDUCTOR AMPACITY	MAXIMUM PROTECTIVE DEVICE
208/60/3	30	40	40
240/60/3	28.6	40	40
480/60/3	14.3	20	20
200/50/3	28.9	40	40
380/60/3	15.2	20	20
380-415/50/3	16.6	25	25
600/60/3	9.6	15	15
208/60/1	52	70	70
240/60/1	49.6	70	70

#### SEPARATE SERVICE CONNECTION FOR MOTORS ON ELEC. HEAT

##### MOTORS: 1/6 HP CONVEYOR 2 HP WASH

VOLTAGE	RATED AMPS	MINIMUM SUPPLY CIRCUIT CONDUCTOR AMPACITY	MAXIMUM PROTECTIVE DEVICE
208/60/3	15.6	20	20
240/60/3	15.1	20	20
480/60/3	9.1	15	15
200/50/3	16.6	25	25
380/60/3	10.7	15	15
380-415/50/3	10.1	15	15
600/60/3	8.2	15	15
208/60/1	26.9	35	35
240/60/1	26.3	35	35

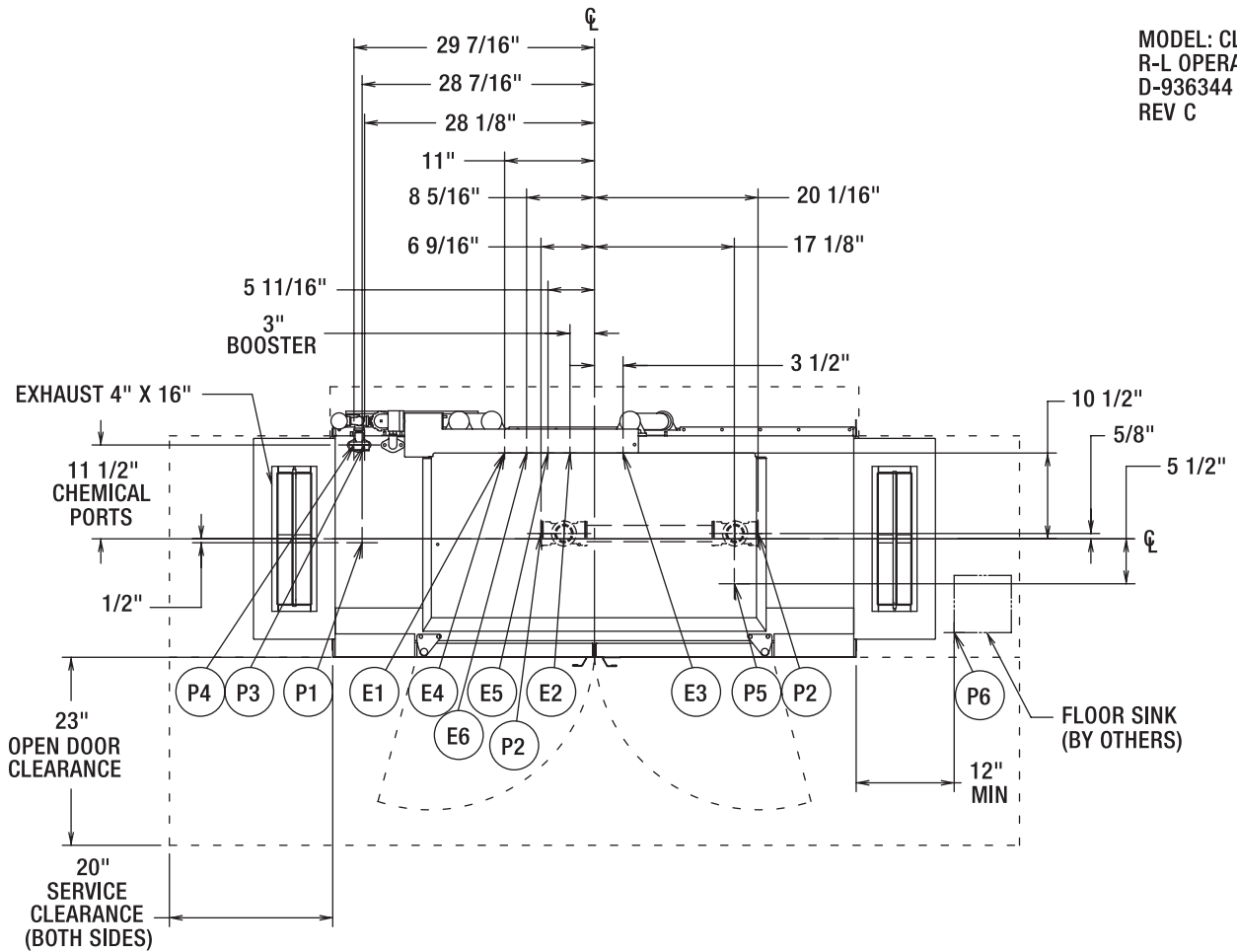




701 S Ridge Avenue, Troy, OH 45374  
1-888-4HOBART • www.hobartcorp.com

# CL64e ELECTRIC R-L

MODEL: CL64e  
R-L OPERATION  
D-936344  
REV C



### ELECTRICAL CONNECTIONS CONNECTION INFORMATION (AFF = ABOVE FINISHED FLOOR)

#### LEGEND

#### ELECTRIC, STEAM, AND GAS HEATS

- E1 ELECTRIC CONNECTION: SINGLE POINT, ELEC, GAS, & STEAM, 1-1/4" CONDUIT HOLE OR 2" CONDUIT, 63-3/4" AFF
- E2 ELECTRIC CONNECTION: BOOSTER. 15KW/30KW, 1-1/4" CONDUIT HOLE OR 2" CONDUIT HOLE, 63-3/4" AFF
- E3 ELECTRIC CONNECTION: DETERGENT, SANITIZER (LOW TEMP ONLY) AND RINSE FEEDERS. 1/2" CONDUIT. 64-1/4" AFF

#### ELECTRIC HEAT ONLY

#### SINGLE PHASE OR FIELD CONFIGURED 3 PHASE SEPARATE ELECTRIC CONNECTION

- E4 ELECTRIC CONNECTION: MOTORS AND CONTROLS 1-1/4" CONDUIT. 63-3/4" AFF.
- E5 ELECTRIC HEAT: 15,000 WATTS, WASH TANK. 1" CONDUIT HOLE, 63-3/4" AFF.
- E6 ELECTRIC HEAT: 10,000 WATTS, RINSE TANK. 1" CONDUIT HOLE, 63-3/4" AFF.

SINGLE POINT ELECTRICAL  
CONNECTION (3 PH ONLY) MOTORS  
AND ELECTRIC TANK HEAT

VOLTAGE	RATED AMPS	MINIMUM SUPPLY CIRCUIT CONDUCTOR AMPACITY	MAXIMUM PROTECTIVE DEVICE
208/60/3	90.6	125	125
240/60/3	86.6	125	125
480/60/3	44.9	60	60
200/50/3	88.8	125	125
380/60/3	48.7	60	60
380-415/50/3	51.5	60	60
600/60/3	32.2	45	45

### PLUMBING CONNECTIONS CONNECTION INFORMATION (AFF = ABOVE FINISHED FLOOR)

#### LEGEND

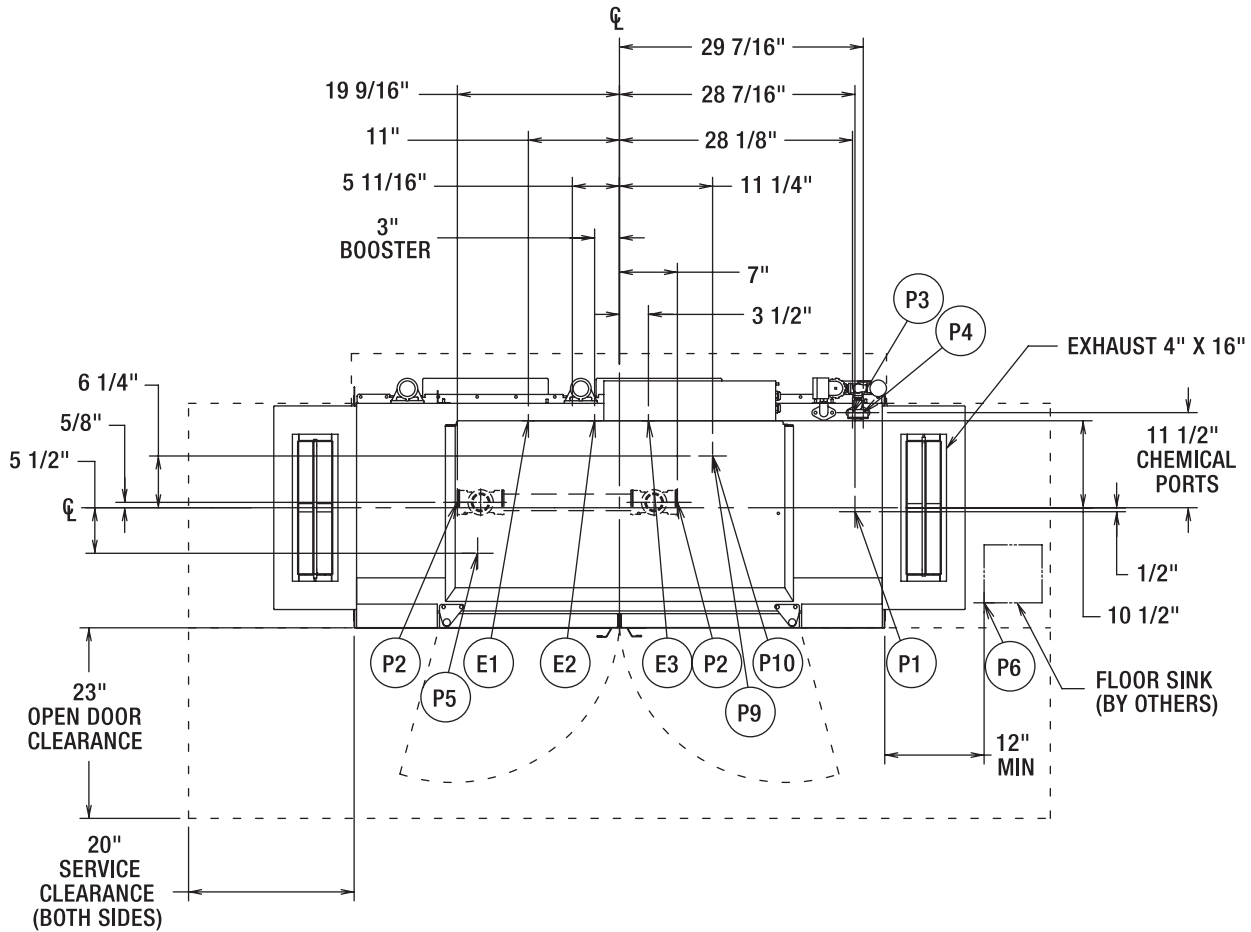
#### ELECTRIC, STEAM, AND GAS HEATS

- P1 COMMON WATER CONNECTION: 1/2" FPT, 11-3/16" AFF. HIGH TEMP. W/O BOOSTER 180°F MIN. 194°F MAX. HIGH TEMP. W/15K BOOSTER 140°F MIN. HIGH TEMP. W/30K BOOSTER 110°F MIN. LOW TEMP. 120°F MIN.
- P2 DRAIN: 2" FPT, 7-3/8" AFF TWO POSSIBLE CONNECTIONS; MAY BE DRAINED TO EITHER SIDE OF VALVE, PLUG OPPOSITE SIDE.
- P3 SANITIZER FEEDER: REMOVE 1/8" NPT PIPE PLUG TO ACCESS TAPPED HOLE. 1/8" NPT 59-1/2" AFF (LOW TEMP ONLY)
- P4 RINSE FEEDER: REMOVE 1/8" NPT PIPE PLUG TO ACCESS TAPPED HOLE. 1/8" NPT 59-9/16" AFF.
- P5 DETERGENT PROBE SENSOR: REMOVE CAP AND STUD ASSEMBLY TO ACCESS 7/8" DIA HOLE (WASH TANK ONLY). 14-5/8" AFF.
- P6 INDIRECT DRAIN-FLOOR SINK: BY OTHERS, 0" AFF. WHEN REQUIRED, INSTALL FLOOR SINK OUTSIDE THE PERIMETER OF THE DISHWASHER.

# CL64e GAS L-R



701 S Ridge Avenue, Troy, OH 45374  
1-888-4HOBART • www.hobartcorp.com



### MISCELLANEOUS NOTES:

OPTIONAL VENT HOODS OR EXTENDED HOODS EXHAUST REQUIREMENTS: 200 CFM ENTRANCE END  
400 CFM EXIT END.

ALL DIMENSIONS TAKEN FROM FLOOR LINE MAY BE INCREASED APPROXIMATELY 3/4" OR DECREASED 1/2".

64" INSIDE TANK (AT TABLE CONNECTION)

63-25/32" TABLE TO TABLE.

NET WEIGHT OF MACHINE: 704 LBS (STD HEIGHT),  
DOMESTIC SHIPPING WEIGHT: 810 LBS (STD HEIGHT).

### SERVICE CONNECTION FOR MOTORS AND CONTROLS

MOTORS: 1/6 HP CONVEYOR 2 HP WASH			
VOLTAGE	RATED AMPS	MINIMUM SUPPLY CIRCUIT CONDUCTOR AMPACITY	MAXIMUM PROTECTIVE DEVICE
208-240/60/3	18.5	25	25
380/60/3	12.3	20	20
480/60/3	10.4	15	15
600/60/3	9.2	15	15
208-240/60/1	30	40	40

### PLUMBING NOTES:

#### ELECTRIC, STEAM, AND GAS HEATS

WATER HAMMER ARRESTOR (MEETING ASSE-1010 STANDARD OR EQUIVALENT) TO BE SUPPLIED (BY OTHERS) IN COMMON WATER SUPPLY LINE AT SERVICE CONNECTION.

RECOMMENDED WATER HARDNESS TO BE 3 GRAINS OR LESS FOR BEST RESULTS.

RECOMMENDED BUILDING FLOWING WATER PRESSURE TO THE DISHWASHER IS 20 PSI, (15 PSI MIN - 25 PSI MAX).

IF PRESSURES HIGHER THAN 25 PSI ARE PRESENT, A PRESSURE REGULATING VALVE WITH INTERNAL THERMAL EXPANSION BY-PASS, MUST BE SUPPLIED (BY OTHERS) IN THE WATER LINE TO THE DISHWASHER.

FOR CONVENIENCE WHEN CLEANING, WATER TAP SHOULD BE INSTALLED NEAR MACHINE WITH HEAVY DUTY HOSE AND SQUEEZE VALVE.

WHEN USED, CHEMICAL SANITIZING FEEDER MUST BE CERTIFIED TO NSF STANDARD 29.

#### GAS HEAT ONLY

FOR NATURAL GAS, PRESSURE TO THE BURNER (CUSTOMER CONNECTION) SHOULD BE 3.5" MIN, 7" MAX W.C.

FOR LP GAS, PRESSURE TO THE BURNER (CUSTOMER CONNECTION) SHOULD BE 8" MIN, 11" MAX. W.C.

IF GAS PRESSURE IS HIGHER THAN 7"(NAT) OR 11"(LP) W.C., A PRESSURE REGULATING VALVE MUST BE INSTALLED (BY OTHERS) IN THE GAS LINE TO THE DISHWASHER.

GAS HEAT (NATURAL OR LP) BTU/HR INPUT - 78,000.

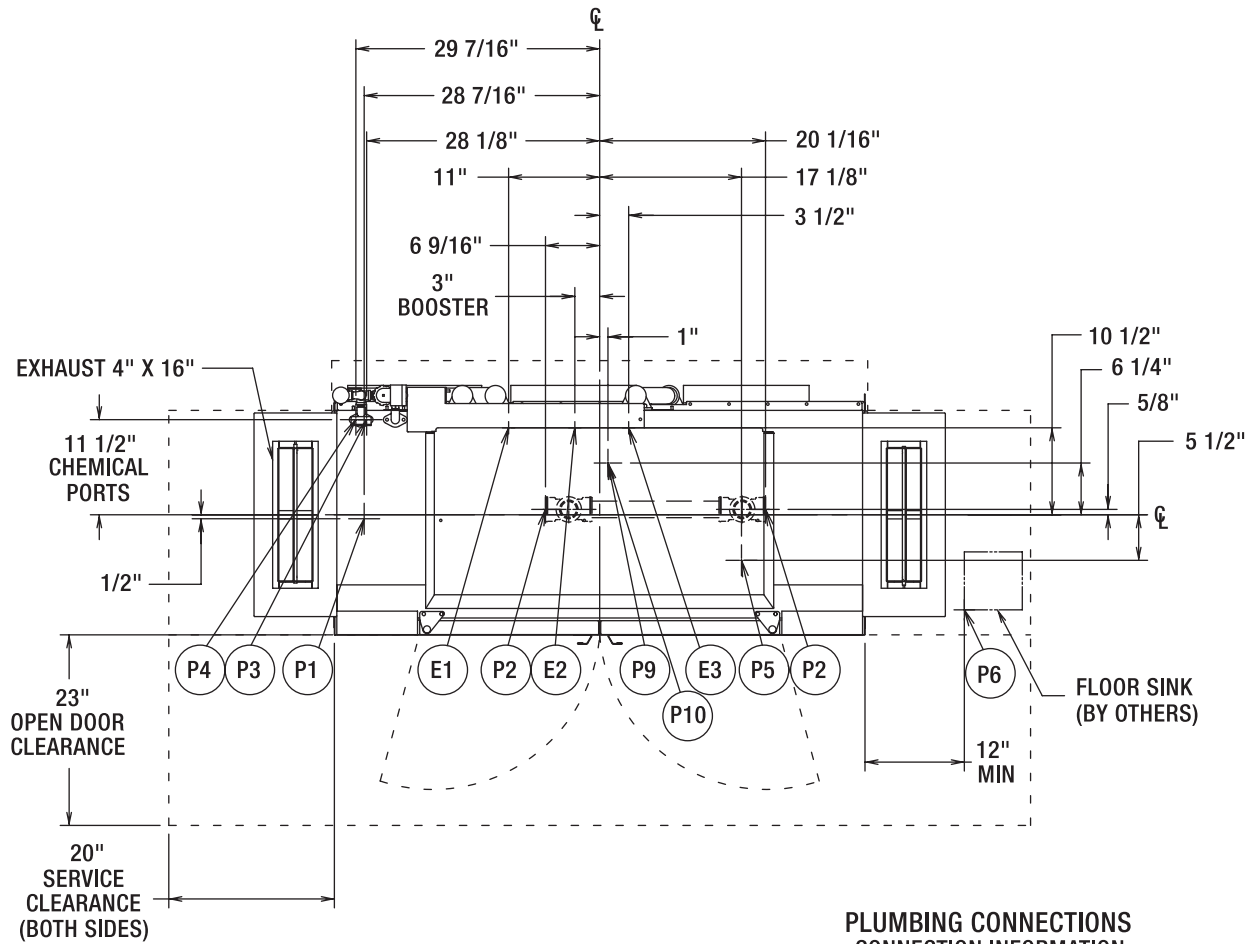
GAS EXHAUST VENTING MUST BE INSTALLED ACCORDING TO LOCAL CODE. DO NOT CONNECT FLUE TO POWER VENT. SEE INSTALLATION MANUAL FOR GAS VENTING.





701 S Ridge Avenue, Troy, OH 45374  
1-888-4HOBART • www.hobartcorp.com

**CL64e**  
**GAS R-L**



**ELECTRICAL CONNECTIONS**  
**CONNECTION INFORMATION**  
(AFF = ABOVE FINISHED FLOOR)

**LEGEND**

**ELECTRIC, STEAM, AND GAS HEATS**

- E1 ELECTRIC CONNECTION: SINGLE POINT, ELEC, GAS, & STEAM, 1-1/4" CONDUIT HOLE OR 2" CONDUIT, 63-3/4" AFF
- E2 ELECTRIC CONNECTION: BOOSTER, 15KW/30KW, 1-1/4" CONDUIT HOLE OR 2" CONDUIT HOLE, 63-3/4" AFF
- E3 ELECTRIC CONNECTION: DETERGENT, SANITIZER (LOW TEMP ONLY) AND RINSE FEEDERS, 1/2" CONDUIT, 64-1/4" AFF

**PLUMBING CONNECTIONS**  
**CONNECTION INFORMATION**  
(AFF = ABOVE FINISHED FLOOR)

**LEGEND**

**ELECTRIC, STEAM, AND GAS HEATS**

- P1 COMMON WATER CONNECTION: 1/2" FPT, 11-3/16" AFF. HIGH TEMP. W/O BOOSTER 180°F MIN. 194°F MAX. HIGH TEMP. W/15K BOOSTER 140°F MIN. HIGH TEMP. W/30K BOOSTER 110°F MIN. LOW TEMP. 120°F MIN.
- P2 DRAIN: 2" FPT, 7-3/8" AFF TWO POSSIBLE CONNECTIONS; MAY BE DRAINED TO EITHER SIDE OF VALVE, PLUG OPPOSITE SIDE.
- P3 SANITIZER FEEDER: REMOVE 1/8" NPT PIPE PLUG TO ACCESS TAPPED HOLE. 1/8" NPT 59-1/2" AFF (LOW TEMP ONLY)
- P4 RINSE FEEDER: REMOVE 1/8" NPT PIPE PLUG TO ACCESS TAPPED HOLE. 1/8" NPT 59-9/16" AFF.
- P5 DETERGENT PROBE SENSOR: REMOVE CAP AND STUD ASSEMBLY TO ACCESS 7/8" DIA HOLE (WASH TANK ONLY). 14-5/8" AFF.
- P6 INDIRECT DRAIN-FLOOR SINK: BY OTHERS, 0" AFF. WHEN REQUIRED, INSTALL FLOOR SINK OUTSIDE THE PERIMETER OF THE DISHWASHER.

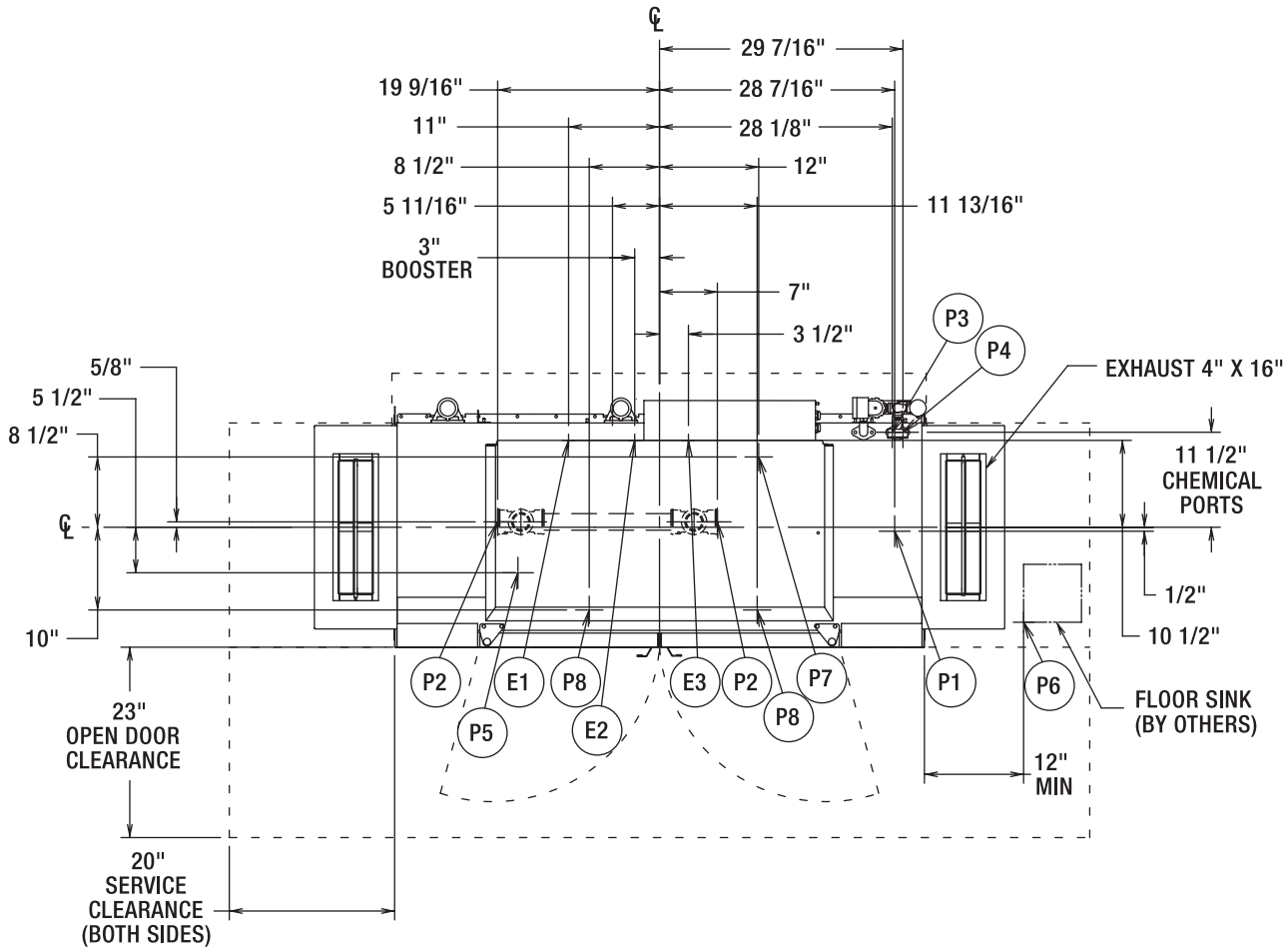
**GAS HEAT ONLY**

- P9 GAS CONNECTION - NAT., 3/4" FPT, 8-1/4" AFF; 3.5" MIN, 7" MAX W.C. INCOMING.
- P10 GAS CONNECTION - L.P., 3/4" FPT, 8-1/4" AFF; 8" MIN, 11" MAX W.C. INCOMING.

# CL64e STEAM L-R



701 S Ridge Avenue, Troy, OH 45374  
1-888-4HOBART • www.hobartcorp.com



### MISCELLANEOUS NOTES:

OPTIONAL VENT HOODS OR EXTENDED HOODS EXHAUST REQUIREMENTS: 200 CFM ENTRANCE END  
400 CFM EXIT END.

ALL DIMENSIONS TAKEN FROM FLOOR LINE MAY BE INCREASED APPROXIMATELY 3/4" OR DECREASED 1/2".

64" INSIDE TANK (AT TABLE CONNECTION)  
63-25/32" TABLE TO TABLE.

NET WEIGHT OF MACHINE: 704 LBS (STD HEIGHT),  
DOMESTIC SHIPPING WEIGHT: 810 LBS (STD HEIGHT).

### SERVICE CONNECTION FOR MOTORS AND CONTROLS

MOTORS: 1/6 HP CONVEYOR 2 HP WASH			
VOLTAGE	RATED AMPS	MINIMUM SUPPLY CIRCUIT CONDUCTOR AMPACITY	MAXIMUM PROTECTIVE DEVICE
200-240/50/3	16.6	25	25
208-240/60/3	18.5	25	25
380-415/50/3	10.1	15	15
380/60/3	12.3	20	20
480/60/3	10.4	15	15
600/60/3	9.2	15	15
208-240/60/1	30	40	40

### PLUMBING NOTES:

#### ELECTRIC, STEAM, AND GAS HEATS

WATER HAMMER ARRESTOR (MEETING ASSE-1010 STANDARD OR EQUIVALENT) TO BE SUPPLIED (BY OTHERS) IN COMMON WATER SUPPLY LINE AT SERVICE CONNECTION.

RECOMMENDED WATER HARDNESS TO BE 3 GRAINS OR LESS FOR BEST RESULTS.

RECOMMENDED BUILDING FLOWING WATER PRESSURE TO THE DISHWASHER IS 20 PSI, (15 PSI MIN - 25 PSI MAX).

IF PRESSURES HIGHER THAN 25 PSI ARE PRESENT, A PRESSURE REGULATING VALVE WITH INTERNAL THERMAL EXPANSION BY-PASS, MUST BE SUPPLIED (BY OTHERS) IN THE WATER LINE TO THE DISHWASHER.

FOR CONVENIENCE WHEN CLEANING, WATER TAP SHOULD BE INSTALLED NEAR MACHINE WITH HEAVY DUTY HOSE AND SQUEEZE VALVE.

WHEN USED, CHEMICAL SANITIZING FEEDER MUST BE CERTIFIED TO NSF STANDARD 29.

#### STEAM HEAT ONLY

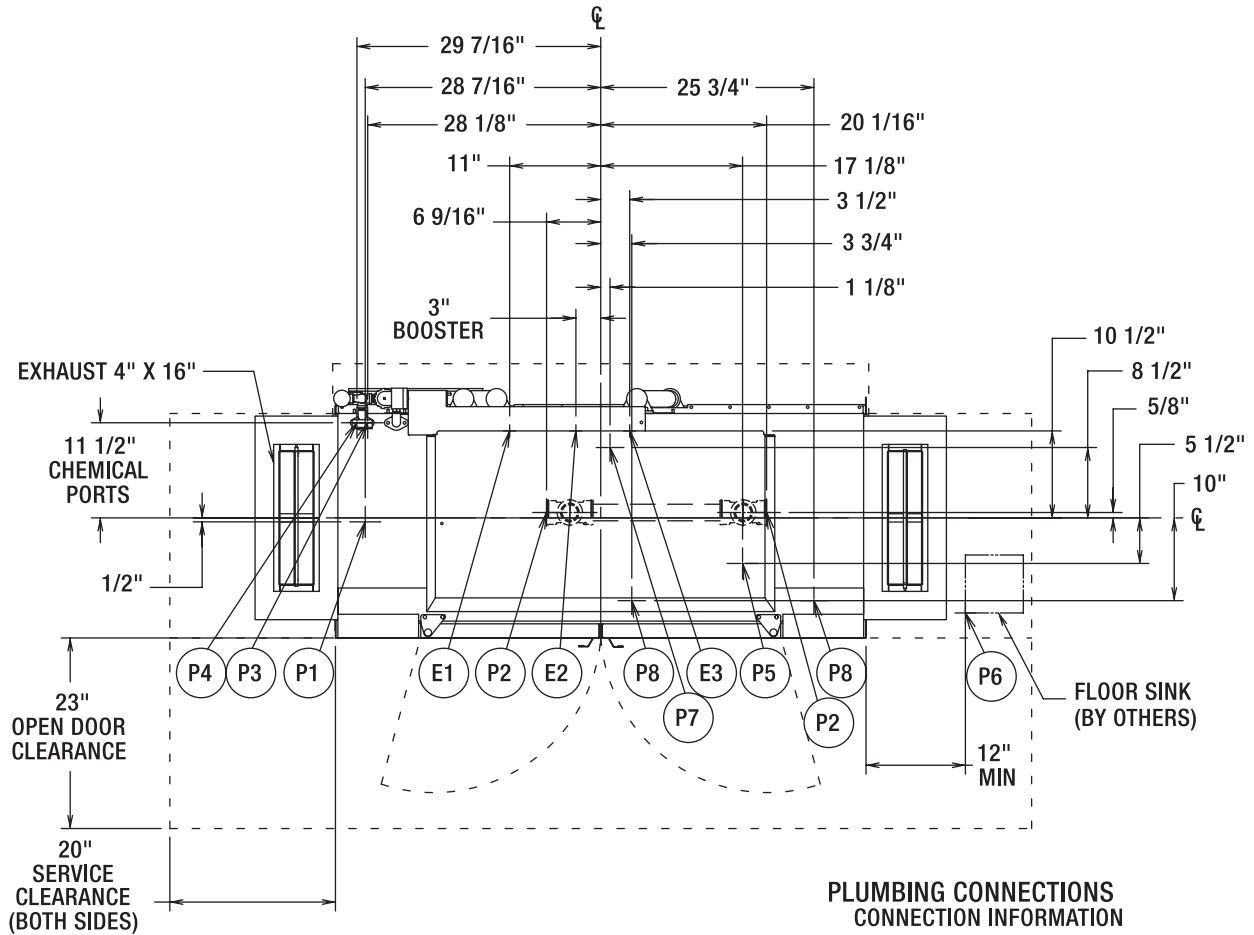
FLOWING STEAM PRESSURES ABOVE 50 PSI MUST HAVE A PRESSURE REGULATOR (BY OTHERS) INSTALLED IN THE STEAM LINE.

SHUT OFF VALVE MUST BE SUPPLIED (BY OTHERS) IN THE STEAM LINE TO THE DISHWASHER.



701 S Ridge Avenue, Troy, OH 45374  
1-888-4HOBART • www.hobartcorp.com

# CL64e STEAM R-L



### ELECTRICAL CONNECTIONS CONNECTION INFORMATION (AFF = ABOVE FINISHED FLOOR)

#### LEGEND

#### ELECTRIC, STEAM, AND GAS HEATS

- E1 ELECTRIC CONNECTION: SINGLE POINT, ELEC, GAS, & STEAM, 1-1/4" CONDUIT HOLE OR 2" CONDUIT, 63-3/4" AFF
- E2 ELECTRIC CONNECTION: BOOSTER. 15KW/30KW, 1-1/4" CONDUIT HOLE OR 2" CONDUIT HOLE, 63-3/4" AFF
- E3 ELECTRIC CONNECTION: DETERGENT, SANITIZER (LOW TEMP ONLY) AND RINSE FEEDERS. 1/2" CONDUIT. 64-1/4" AFF

### PLUMBING CONNECTIONS CONNECTION INFORMATION (AFF = ABOVE FINISHED FLOOR)

#### LEGEND

#### ELECTRIC, STEAM, AND GAS HEATS

- P1 COMMON WATER CONNECTION: 1/2" FPT, 11-3/16" AFF. HIGH TEMP. W/O BOOSTER 180°F MIN. 194°F MAX. HIGH TEMP. W/15K BOOSTER 140°F MIN. HIGH TEMP. W/30K BOOSTER 110°F MIN. LOW TEMP. 120°F MIN.
- P2 DRAIN: 2" FPT, 7-3/8" AFF TWO POSSIBLE CONNECTIONS; MAY BE DRAINED TO EITHER SIDE OF VALVE, PLUG OPPOSITE SIDE.
- P3 SANITIZER FEEDER: REMOVE 1/8" NPT PIPE PLUG TO ACCESS TAPPED HOLE. 1/8" NPT 59-1/2" AFF (LOW TEMP ONLY)
- P4 RINSE FEEDER: REMOVE 1/8" NPT PIPE PLUG TO ACCESS TAPPED HOLE. 1/8" NPT 59-9/16" AFF.
- P5 DETERGENT PROBE SENSOR: REMOVE CAP AND STUD ASSEMBLY TO ACCESS 7/8" DIA HOLE (WASH TANK ONLY). 14-5/8" AFF.
- P6 INDIRECT DRAIN-FLOOR SINK: BY OTHERS. 0" AFF. WHEN REQUIRED, INSTALL FLOOR SINK OUTSIDE THE PERIMETER OF THE DISHWASHER.

#### STEAM HEAT ONLY

- P7 STEAM COILS: 10 TO 50 PSI FLOWING, 1" FPT, 8-3/8" AFF.
- P8 CONDENSATE RETURN: A 10 PSI MINIMUM DIFFERENTIAL PRESSURE ACROSS THE STEAM TRAP MUST BE MAINTAINED. 3/4" FPT. 11-1/8" AFF TWO CONNECTIONS. (TWO BUCKET TYPE TRAPS FURNISHED).

# CL64e DISHWASHER

# HOBART

701 S Ridge Avenue, Troy, OH 45374  
1-888-4HOBART • www.hobartcorp.com

**SPECIFICATIONS:** Meets requirements of A.S.S.E. Standard No. 1004.

**DESIGN:** Semi automatic, high or low temperature double-tank, rack-type dishwasher with flexible patent pending thermal layer curtains at the ends of chamber and between wash, rinse and final rinse zones. Insulated hinged inspection doors located in front of machine provide easy access to wash arms, rinse arms, strainer, strainer basket, and pump intake screen. Length of machine inside tank (at table connection) 64". Machine designed to clean and sanitize with hot water 150°F wash, 160° power rinse and 180°F (minimum) final rinse, or low temperature 130°F wash and 120°F final rinse and a chemical sanitizer. Water hardness recommended to be 3 gr. for best results. Automatic interlocks shut off pump and conveyor if door is opened when machine is in operation.

**CONSTRUCTION:** Tank, chamber, frame, legs, control box, doors, and all panels are constructed of stainless steel.

**PUMP:** Two 165 gpm recirculating stainless steel pumps and impeller with a ceramic seat seal. Easily accessible pumps assembly permits quick inspection. The pumps are self-draining. All piping distributing water to the upper and lower wash arms is stainless steel tubing.

**PUMP MOTOR:** Built for Hobart 2 hp grease-packed ball bearings, splash proof, ventilated with manual, resettable inherent overload protection. Available in electrical specifications of 208-240/60/1, 208-240/60/3, 480/60/3 and 600/60/3. Also available, but not submitted for UL listing are 200-240/50/3 and 380-415/50/3.

**CONTROLS:** A stainless steel control module with power and "start/stop" buttons is mounted on top of the machine. Machine control circuitry will be operated from a 120-volt control circuit transformer. Electrical components are completely wired with 105°C, 600V thermoplastic insulated wire with stranded conductors routed through UL listed electrical conduit or covered wire way.

**CONVEYOR:** Patent Pending Rapid Return drive, designed for more even throughput of racks and allows for a 18.75-inch separation between the wash and the rinse zone. Racks conveyed automatically through wash and rinse zones and onto clean dish table. Patented Ball Detent Clutch drive prevents damage to machine or racks, should movement of racks be obstructed. Rack tracks, conveyor structure, and drive units of stainless steel for 19¾" x 19¾" racks as standard. Conveyor speed: 9.5 FPM.

**DRIVE MOTOR:** Built for Hobart, ½ horsepower gear motor, ventilated with manual, resettable inherent overload protection. Available in electrical specifications of 208-240/60/1, 208-240/60/3, 480/60/3 and 600/60/3. Also available, but not submitted for UL Listing are 200-240/50/3 and 380-415/50/3.

**POWER WASH AND RINSE:** Wash and rinse tanks are equipped with upper and lower stainless steel Patent Pending CFD Wash Arms which effectively direct water jets to all ware surfaces. Both upper and lower wash arms are self-aligning and have easily removable end caps for cleaning without use of tools. A removable perforated stainless steel strainer pan supports a deep perforated stainless steel basket.

**FINAL RINSE:** Final rinse flow rate: 2.2 gpm, .39 gpr, 132-gph. Stainless steel upper and lower Patented Auto Position Rinse Arms™ have single rows of nozzles. Racks entering the rinse zone automatically trigger rinse. Final rinse water line is

equipped with a vacuum breaker downstream of an electrically operated solenoid valve in common piping system. Removable perforated stainless steel strainer basket can be removed without removing lower rinse arm. Rinse agent and Low Temp Final Rinse – Sanitizer agent (5.25% sodium hypochlorite – bleach) dispenser injection ports provided in final rinse piping above chamber. **Caution:** Certain materials, including silver, aluminum, and pewter are attacked by sodium hypochlorite (bleach) in the chemical sanitizing dishwasher mode of operation.

**FILL:** Fill water line is equipped with vacuum breaker on downstream side of electrically operated solenoid valve in common piping system, for automatic maintenance of tank level.

**DRAIN AND OVERFLOW:** Large bell-type automatic overflow and drain valve controlled from inside of machine. Drain automatically seats by closing inspection doors. Drain seal is large diameter, high temperature o-ring. Drain housing can be plumbed from load or unload end of machine.

**STANDARD EQUIPMENT:** Digital display of wash and final rinse temperature. Positive low water protection for tank heat. Patent Pending Thermal Layered Curtains throughout machine are keyed to ensure proper placement. Drain is automatically closed when inspection doors are closed. Stainless steel adjustable feet. Bolted stainless steel enclosure panels around perimeter and underneath machine. Automatic tank fill. Door interlock. Auto-timer. Vent fan and booster heater controls. Single point electrical connection. Low temperature alerts. Service diagnostics. Dirty water indicator. Delime notification. Conveyor dwell. Energy Saver Mode. NAFEM Data Protocol compliant.

#### TANK HEATING SELECTIONS (must choose one):

**ELECTRIC:** Two electric Incoloy® sheathed immersion heaters (15 KW and 10 KW). Tank water temperature is controlled by microprocessor controlled thermostat with positive low-water protection and magnetic contactor. (Disconnect switches not furnished.) A high limit device mounted on the surface of the tank additionally protects heating element.

**STEAM:** One-inch stainless steel steam coil. Tank water temperature controlled by microprocessor controlled thermostat with positive low-water protection. Steam supplied to machine through high temperature steam solenoid valve and line strainer.

**GAS:** Regulated infrared immersion tube gas burner system. Microprocessor controlled thermostat and a blower with a pressure switch control tank water temperature. Positive low water protection is provided. A high limit device mounted on the surface of the tube additionally protects immersion tube. A solid-state igniter board controls the gas valve and provides flame ignition. A transformer steps the control circuit voltage down from 120 volts to 24 volts to power the igniter board and gas valve. For natural gas, gas pressure to burner (customer connection) not to exceed 7" W.C. For LP gas, gas pressure to burner (customer connection) not to exceed 11" W.C. If gas pressure is higher than 7" W.C. natural or 11" W.C. LP pressure regulating valve must be supplied (by others) in the gas line to the dishwasher.

#### OPTIONAL EQUIPMENT AT EXTRA COST:

Stainless steel pressureless booster heater. Stainless steel vent hoods with vent stack and locking-type damper. Higher than standard chamber. Side loaders and unloaders. Floor mounted steam booster. 19¾" x 19¾" peg, combination and miscellaneous racks. Table limit switch. Drain water tempering kit.

As continued product improvement is a policy of Hobart, specifications are subject to change without notice.