

Project \_\_\_\_\_  
Item \_\_\_\_\_  
Quantity \_\_\_\_\_  
CSI Section 11400  
Approved \_\_\_\_\_  
Date \_\_\_\_\_

# Designer Series Electric Hot Plate

Designer Series Electric Hot Plate

## Models

- ED-15THSE



Model ED-15THSE

## Standard Features

- Stainless steel front and sides
- Two 7-1/2" (192 mm) diameter sealed elements
- Each element rated 2000 watts
- Each element controlled by a switch with six heat positions that automatically cycles down to a low heat when left unused
- Heat-On indicating lamps
- 4" (102mm) stainless steel legs
- One-year limited parts & labor warranty (USA & Canada only)

## Options & Accessories

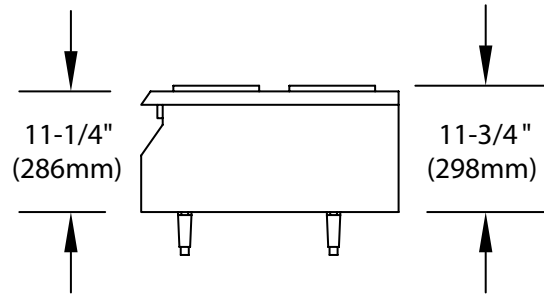
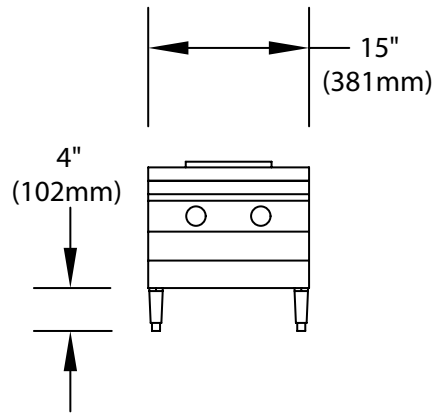
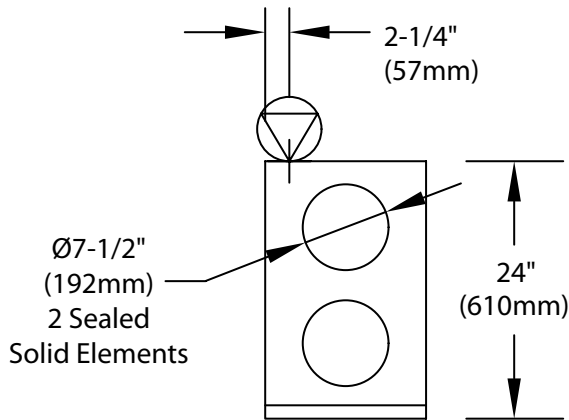
- Stainless steel back and bottom
- Note : Stand is available see form # CS24/CSD

## Specifications

Dependable 7-1/2" (192 mm) diameter sealed solid element hot plate and recessed top ensure quicker clean-ups. Each plate element is controlled by a switch with six heat positions. Elements are protected with a high limit which automatically reduces power to prevent over heating.



# Designer Series Electric Hot Plate



Garland products are not approved or authorized for home or residential use, but are intended for commercial applications only. Garland will not provide service, warranty, maintenance or support of any kind other than in commercial applications.

NOTE: - All 208V 1 phase 60 hz models will be equipped with a 4-ft (1219mm) power cord and NEMA L6-30P plug (HUBBELL HBL2621 or equivalent)

Total kW Load		kW Load Per Phase						Nominal Amperes Per Line								
								Single Phase			3-Phase					
208V	240V	208V			240V			208	240	208			240			
		X-Y	Y-Z	X-Z	X-Y	Y-Z	X-Z			X	Y	Z	X	Y	Z	
4.0	4.0		2.0	2.0		2.0	2.0	19.2	16.7	9.5	9.5	16.7	8.3	8.3	14.4	

FOR VOLTAGE OPTIONS OUTSIDE NORTH AMERICA, PLEASE CONTACT THE FACTORY

Overall Dimensions			Clearances				Cu. Ft.	Shipping Weight
			Installation		Entry			
H	W	D	Sides	Rear	Crated	Uncrated		
11-1/4" (286mm)	15" (381mm)	24" (610mm)	1-1/2" (38mm)	1-1/2" (38mm)	18-1/2" (470mm)	15" (381mm)	5	50lbs. (23kg)

Welbilt reserves the right to make changes to the design or specifications without prior notice.