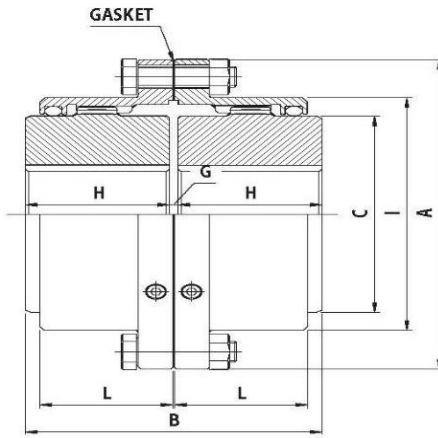
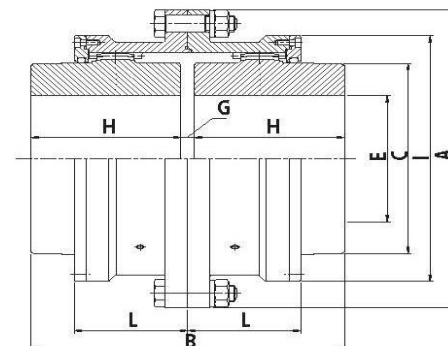
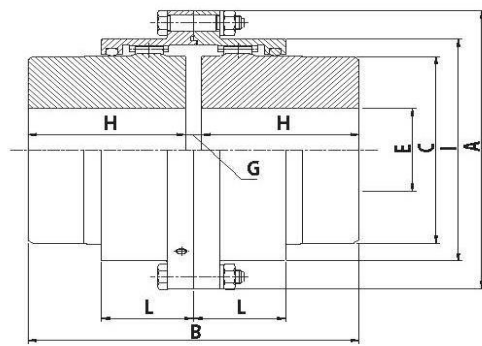


• PG20/PGL20(G20 Type)



SIZE	Max Speed(rpm)	Dimensions (mm)											
		Basic Torque(Nm)	Bore Dia		A	B	C	H	I	L	G	LUBE WT (kg)	CPLG Weight (Kg)
			Max	Min	mm.	mm.	mm.	mm.	mm.	mm.	mm.		
10GD	8,000	859	48	13	116	89	96	43	83.8	39	3	0.04	4.5
15GD	6,500	1,918	60	19	152	101	86	49	105.2	48	3	0.07	9.1
20GD	5,600	4,187	73	25	178	127	105	62	126.5	59	3	0.11	15.9
25GD	5,000	6,450	92	32	213	159	131	77	154.9	72	5	0.23	29.5
30GD	4,400	12,825	105	38	240	187	152	91	180.3	84	5	0.36	43.1
35GD	3,900	16,684	124	51	279	218	178	106	211.3	98	6	0.54	68
40GD	3,600	31,146	146	64	318	248	210	121	245.4	111	6	0.91	97.5
45GD	3,200	34,140	165	76	649	278	325	135	274.1	123	8	1.04	136.1
50GD	2,900	46,060	179	89	389	314	254	153	305.8	141	8	1.77	190.5
55GD	2,650	60,352	197	102	425	344	279	168	334.3	158	8	2.22	249.5
60GD	2,450	77,516	222	114	457	384	305	188	366	169	8	3.18	306.2

• Type PSS (Gear Double), PCC (Gear Double Large)



SIZE	Max Speed(rpm)	Dimensions (mm)											
		Basic Torque(Nm)	Bore Dia		A	B	C	H	I	L	G	LUBE WT (kg)	CPLG Weight (Kg)
			Max	Min	mm.	mm.	mm.	mm.	mm.	mm.	mm.		
PSS100	3,600	254	25	16	100	88	46	40	67	34	8	0.03	3
PSS112	3,600	617	40	16	112	108	58	50	79	40	8	0.04	5
PSS125	3,600	1,072	50	31	152	134	70	63	92	43	8	0.05	7
PSS140	3,600	1,486	56	31	140	150	80	71	107	47	8	0.07	9
PSS160	3,600	2,250	63	31	160	170	95	80	120	52	10	0.09	14
PSS180	3,600	3,372	71	45	180	190	105	90	134	56	10	0.12	19
PSS200	3,600	4,913	80	45	200	210	120	100	149	61	10	0.15	26
PSS224	3,080	6,987	90	51	224	236	145	112	174	65	12	0.25	38
PSS250	2,650	9,665	100	51	250	262	165	125	200	74	12	0.35	56
PSS280	2,340	16,555	125	51	280	294	190	170	224	82	14	0.48	83
PSS315	1,980	31,653	16	112	315	356	225	170	260	98	16	0.77	135
PSS355	1,800	39,706	180	125	355	396	250	190	288	108	16	0.94	184
PSS400	1,570	54,737	200	140	400	418	285	200	329	114	18	0.136	261

SIZE	Max Speed(rpm)	Dimensions (mm)											
		Basic Torque(Nm)	Bore Dia		A	B	C	H	I	L	G	LUBE WT (kg)	CPLG Weight (Kg)
			Max	Min	mm.	mm.	mm.	mm.	mm.	mm.	mm.		
PCC450	1,540	74,705	200	140	450	418	290	200	372	151	18	1.79	304
PCC500	1,321	117,186	263	170	500	494	335	236	425	168	22	2.64	453
PCC560	1,170	166,784	356	190	560	552	385	265	475	187	22	3.23	664
PCC630	990	260,501	280	200	630	658	455	315	548	213	28	4.93	1,020
PCC710	870	376,696	355	250	710	738	510	355	622	242	28	6.63	1,460
PCC800	780	537,311	400	280	800	832	570	400	690	267	32	9.35	2,090
PCC900	840	771,115	475	315	900	932	670	450	792	295	32	12.63	3,030
PCC1000	760	1,189,219	510	355	1,000	1,040	720	500	858	322	40	13.75	4,120
PCC1120	682	1,598,179	600	400	1,120	1,160	840	560	990	360	40	15.45	5,920
PCC1250	610	2,120,000	710	500	1,250	1,460	960	710	1,126	399	40	18.25	9,410