

IPC2241-GiCNW&GiCWG-SIR-L0360

2.0MP Human Recognitive HD Network Mini IR Semi Dome



Features

Excellent Image Quality

- 2.0 Megapixel 1/2.8" progressive scan CMOS sensor
- High definition and smooth picture, 1080p@30fps
- H.265 video codec, saves up to 50% bandwidth and storage
- Ultra low illumination, 0.002lux with color picture
- WDR / HLC / 3D noise reduction

Recognitive Functions

- Driver behavior detection of fatigue driving, yawning, smoking, inattention, calling and absence

Integrated High Efficiency IR

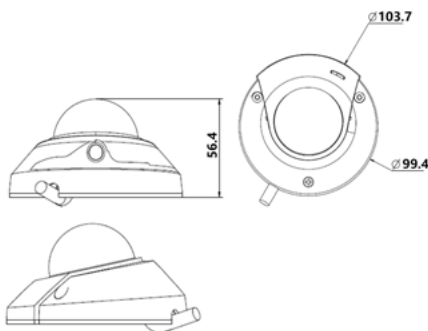
- Industrial IR LED with long operational lifespan
- 15m IR distance
- Smart IR function

Abundant Functions and Features

- Micro SD card slot, supports Automatic Network Replenishment (ANR)
- Bi-directional audio / Built-in Mic / alarm in and out / RS485
- Wi-Fi supported
- 3G / 4G supported (-GiCWG only)
- Dual-stream (1080p + D1)
- Anti-fog glass
- EN50155
- PoE
- IK10
- IP67

Dimensions

Units:mm



Specifications

	IPC2241-GiCNW-SIR15-L0360	IPC2241-GiCWG-SIR15-L0360
Camera		
Image Sensor	1/2.8" progressive scan CMOS	
Pixels	2.0 Megapixel	
Min. Illumination	Color: 0.002lux @ (F2.0, AGC ON) B/W: 0.0002lux @ (F2.0, AGC ON)	
Shutter Speed	1 ~ 1/30,000s	
Day / Night	Auto (ICR) / Color / B/W	
Wide Dynamic Range	Ultra WDR, >=120dB	
S/N Ratio	>58dB	
White Balance	Auto / Manual	
Gain Control	Auto / Manual	
Backlight Compensation	Off / WDR / BLC / HLC	
Lens		
Mount Type	M12	
Focal Length	3.6mm (-L0360)	
Angle of View	78.6° (-L0360)	
Adjustment Range	Pan: -45° ~ 45° / Tilt: 0° ~ 90° / Rotation: 0° ~ 360°	
Infrared		
IR Distance	15m	
IR Intensity	Smart IR	
Video		
Compression	Smart H.265 / H.265 / H.264 / MJPEG	
Image Resolution	Main stream: 1080p Secondary stream: D1	
Frame Rate	Main stream: 1080p@30fps Secondary stream: D1@30fps	
Bitrate	32kbps ~ 8Mbps	
Bitrate Control	VBR / CBR	
Dual-stream	Supported	
Caption	Date and time / Alarm / Customized	
Privacy Masking	Up to 4 zones	
Motion Detection	Up to 4 zones	
ROI	Supported	
Digital Noise Reduction	3D noise reduction	
Image Flip	Flip / Mirror	
Audio		
Compression	G.711a / G.711u / ADPCM / G.722	
Bitrate	32kbps ~ 64kbps	
Audio Function	Bi-directional audio / AEC / Mixed audio recording / Dumb / Mute	
Network		
Network Protocols	TCP/IP, UDP, HTTP, DHCP, DNS/DDNS, RTP/RTCP, RTSP, PPPoE, FTP, VSIP, UPnP, 802.1x, NAT, QoS, SMTP, IPv4, IPv6 (optional)	
User Interface	IPC Control (IE, Firefox, Chrome)	
Max. User Access	Max. 10 Users (includes 2 internal)	
Wireless	Wi-Fi	
Wi-Fi	802.11b/g/n 2.4G, Wi-Fi AP	
3G / 4G Frequency Band	/	FDD-LTE: B1 / B3 / B5 / B8 TDD-LTE: B38 / B39 / B40 / B41 WCDMA: B1 / B8 GSM / GPRS / EDGE: 900 / 1800MHz TD-SCDMA: B34 / B39 EVDO/CDMA: BCO
Application Programming	ONVIF (Profile S, Profile G), GB/T 28181-2011, API, CGI	
Automatic Network Replenishment (ANR)	Supported	
Recognitive Functions		
Driver behavior detection	Fatigue driving, yawning, smoking, inattention, calling and absence	
Alarm		
Alarm Triggers	Alarm input / Network disconnect / Disk full / Disk error	
Intelligent	Motion detection	
Alarm Events	Alarm report / Recording / Text overlay / Snapshot / External output / Email notice / Acoustic alarm	
Interfaces		
Ethernet	10/100M, RJ45 interface	
Wi-Fi	Built-in Wi-Fi module	
GPS	Build-in GPS module	
3G / 4G Frequency Band	/	Build-in 3G / 4G module
Audio In / Out	1 x Line in / 1 x Line out / 1 x Built-in Mic	
Control	1 x RS485	
Alarm In / Out	2 x Input / 1 x Output	
Memory Slot	Micro SD card slot, supports up to 256GB	
Environmental		
Operating Temperature	-40°C ~ 70°C / -40°F ~ 158°F	
Operating Humidity	10% ~ 95%	
Protection level	IK10, IP67, EN50155	
Electrical		
Power	12V DC ± 25% / PoE (IEEE802.3af)	
Power Consumption	Max. 14W	
Mechanical		
Weight	0.5 kg / 1.1lb (Gross Weight)	
Dimensions	Φ103.7 × 56.4mm / Φ4.08" × 2.22"	