

DSJ-U3

Body Worn Camera



Features

High Level Protection

- IP68, adaptive to various environments
- 2 meters drop protection

Excellent Video Transmission

- KWTP protocol for 3G / 4G / Wi-Fi transmission, improves the video stream continuity under unstable network conditions
- H.264 / H.265 video codec, saves up to 50% bandwidth and storage

High Quality Image

- Night view with LED and IR
- High definition and smooth picture, 1080p@30fps
- EIS function, ensures stable image quality during walking patrol
- Optional extendable camera types (button, badge, ear-hook)

Recognitive Functions

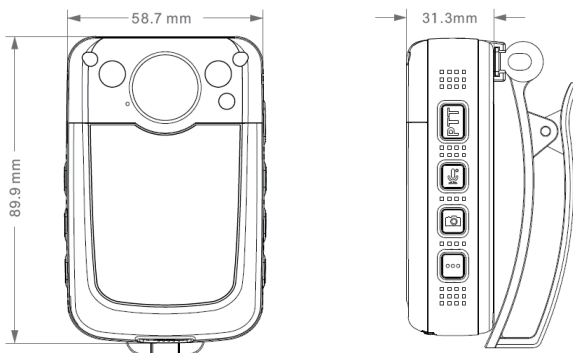
- Supports face recognition
- Built-in face comparison algorithm, offline alarm

Abundant Functions and Features

- 2.4" touchscreen display
- Various shortcut button, additional customized function button
- Supports location function by GPS, GLONASS
- Supports external memory
- Supports removable clips

Dimensions

Units:mm



Specifications

	DSJ-U3-LPN
System	
Operating System	Deep customized Android OS
Processor	Qualcomm 8 core 2GHz
Application System	Customized law-enforcing recording software system
RAM	4GB
Video	
Compression	H.264 / H.265
Image Resolution	Main stream: 1080p Secondary stream: 720p
Frame Rate	Main stream: 1080p@30fps Secondary stream: 720p@30fps
Bitrate	64Kbps ~ 8Mbps
Dual-stream	Supported
Caption	Date and time / Customized
Watermark	Supported
Audio	
Compression	G.711a / G.7221c / ADPCM
Coding Rate	32Kbps ~ 64Kbps
Audio Function	Bi-directional audio / AEC / Dumb / Mute
Display	
Size	2.4"
Technology	Visible under the sun
Touchscreen	Supported
Rear Camera	
Image Sensor	5MP 1/2.7" progressive scan CMOS
Focal Length	2.52mm
Angle of View	Diagonal 120°, Horizontal 106°
Snapshot Resolution	40MP
Night View	1 white LED, 2 IR LED, 15M Infrared Distance
Front Camera	
Image Sensor	5MP 1/5" progressive scan CMOS
Focal Length	2.26mm
Angle of View	Diagonal 76.8°, Horizontal 46°
Snapshot Resolution	40MP
Network	
3G	WCDMA: B1 / B2 / B5 / B8 TD-SCDMA: B34 / B39 EVDO: BC0
4G	FDD-LTE: B1 / B3 / B7 / B20 / B26 / B28 TD-LTE: B38 / B39 / B40 / B41 802.11 a/b/g/n/ac 2.4G+5GHz
Wi-Fi	802.11 a/b/g/n/ac 2.4G+5GHz
Bluetooth	Bluetooth 5.0
NFC	Supported (optional)
Location Technology	GPS, GLONASS
Storage	
ROM	64G
External Memory	MicroSD (up to 256G)
Interface	
Shortcut Button	PTT, Power on/off, Video recording, Audio recording, Snapshot, Event tag, Customized function
SIM	1 x Micro SIM slot
USB	1 x Type C
Protection	
Protection Level	IP68
Shock Protection	2 meters drop
Battery	
Capacity	2600mAh
Replaceable	Supported, continous work during battery replacing
Built-in Camera Usage Time (Hours) *	3G / 4G (on): Up to 8h Wi-Fi (on) : Up to 8h 3G / 4G (off) and Wi-Fi (off): Up to 10h
External Camera (720p) Usage Time (Hours) *	3G / 4G (on): Up to 3.5h Wi-Fi (on) : Up to 3.5h
External Camera (1080p) Usage Time (Hours) *	3G / 4G (off) and Wi-Fi (off): Up to 3.8h 3G / 4G (on): Up to 3.2h Wi-Fi (on) : Up to 3.2h
Usage Time (Hours) *	3G / 4G (off) and Wi-Fi (off): Up to 3.5h
Environmental	
Operating Temperature	-30°C ~ 70°C / -22°F ~ 158°F
Mechanical	
Weight	188g / 0.414lb (including battery & clip) 169g / 0.37lb (including battery)
Dimensions	89.9x58.7x31.3mm / 3.54" x 2.31" x 1.23"
Accessories	
Standard	Power adapter, USB cable, Battery
Optional	Additional battery, Button / Badge camera, Ear-hook camera
* All battery claims depend on network configuration and many other factors, actual results will vary.	