

# DSJ-U1

## Body Worn Camera



### Features

#### High Level Protection

- IP67, adaptive to various environments
- 2 meters drop protection

#### Excellent Video Transmission

- KWTP protocol for 3G / 4G / Wi-Fi transmission, improves the video stream continuity under unstable network conditions
- H.264 / H.265 video codec, saves up to 50% bandwidth and storage

#### High Quality Image

- Night view with LED and IR
- High definition and smooth picture, 1080p@30fps
- Optional extendable camera types (button, badge, ear-hook)

#### High Performance

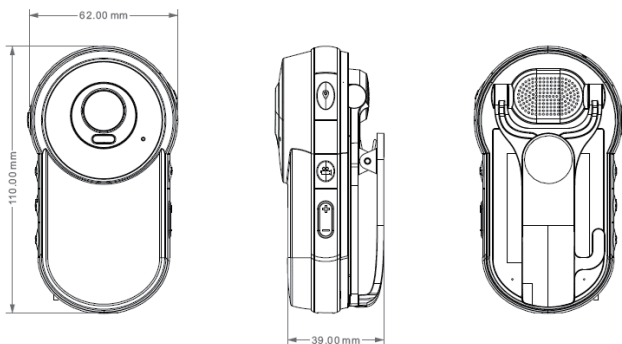
- Qualcomm 8 core processor
- Supports types of 3G / 4G network

#### Abundant Functions and Features

- 2.2" touchscreen display
- Various shortcut button
- Supports location function by GPS, GLONASS
- Supports external memory
- Supports removable clip

### Dimensions

Units:mm



### Specifications

	DSJ-U1-S	DSJ-U1-LPN
<b>System</b>		
Operating System	Deep customized Android OS	
Processor	Qualcomm 8 core 2GHz	
Application System	Customized law-enforcing recording software system	
RAM	3GB	
<b>Video</b>		
Compression	H.264 / H.265	
Image Resolution	Main stream: 1080p	
	Secondary stream: 720p	
Frame Rate	Main stream: 1080p@30fps	
	Secondary stream: 720p@30fps	
Bitrate	64Kbps ~ 8Mbps	
Dual-stream	Supported	
Caption	Date and time / Customized	
Watermark	Supported	
<b>Audio</b>		
Compression	G.711a / G.7221c / ADPCM	
Coding Rate	32Kbps ~ 64Kbps	
Audio Function	Bi-directional audio / AEC / Dumb / Mute	
<b>Display</b>		
Size	2.2"	
Technology	Visible under the sun	
Touchscreen	Supported	
<b>Camera</b>		
Image Sensor	1/2.8" progressive scan CMOS	
Focal Length	2.55mm	
Angle of View	Diagonal 140°, Horizontal 110°	
Snapshot Resolution	20MP	20MP (upscaled resolution)
Night View	2 white LED, 2 IR LED, 15M Infrared Distance	
<b>Network</b>		
3G	Not supported	WCDMA: B1 / B2 / B5 / B8
		TD-SCDMA: B34 / B39
		EVD0: B0
4G	Not supported	FDD-LTE: B1 / B3 / B7
		TD-LTE: B38 / B39 / B40 / B41
		802.11 a/b/g/n 2.4G+5GHz
Wi-Fi	Not supported	Bluetooth 4.0
Bluetooth	Not supported	Supported (optional)
NFC	Not supported	
Location Technology	GPS, GLONASS	
<b>Storage</b>		
ROM	32G	
External Memory	Micro SD (up to 128G)	
<b>Interface</b>		
Shortcut Button	Power on/off, Video recording, Audio recording, Snapshot, Event tag	PTT (optional), Power on/off, Video recording, Audio recording, Snapshot, Event tag
SIM	Not supported	1 x Micro SIM slot
USB	1 x Micro USB2.0	
<b>Protection</b>		
Protection Level	IP67	
Drop Protection	2 meters drop	
<b>Battery</b>		
Capacity	2700mAh	
Replaceable	Supported	
Built-in Camera Usage Time (Hours)	Up to 9h	3G / 4G (on): Up to 7h
		Wi-Fi (on): Up to 7h
External Camera (720p) Usage Time (Hours)	Up to 3.8h	3G / 4G (off) and Wi-Fi (off): Up to 9h
		3G / 4G (on): Up to 3.5h
External Camera (1080p) Usage Time (Hours)	Up to 3.5h	Wi-Fi (on): Up to 3.5h
		3G / 4G (off) and Wi-Fi (off): Up to 3.8h
External Camera (1080p) Usage Time (Hours)	Up to 3.5h	3G / 4G (on): Up to 3.2h
		Wi-Fi (on): Up to 3.2h
External Camera (1080p) Usage Time (Hours)	Up to 3.5h	3G / 4G (off) and Wi-Fi (off): Up to 3.5h
<b>Environmental</b>		
Operating Temperature	-30°C ~ 70°C / -22°F ~ 158°F	
<b>Mechanical</b>		
Weight	199g / 0.439lb (including battery & clip)	199g / 0.439lb (including battery & clip)
	190g / 0.418lb (including battery)	190g / 0.418lb (including battery)
Dimensions	110× 62× 39mm / 4.33" x 2.44" x 1.54"	
<b>Accessories</b>		
Standard	Power adapter, USB cable, Battery	
Optional	Additional battery, Button / Badge camera, Ear-hook camera	
* All battery claims depend on network configuration and many other factors, actual results will vary.		