

# Smart Power Sensor



## Accurate

Class 1 measurement accuracy





## Simple & Easy

LCD display, easy to set and check

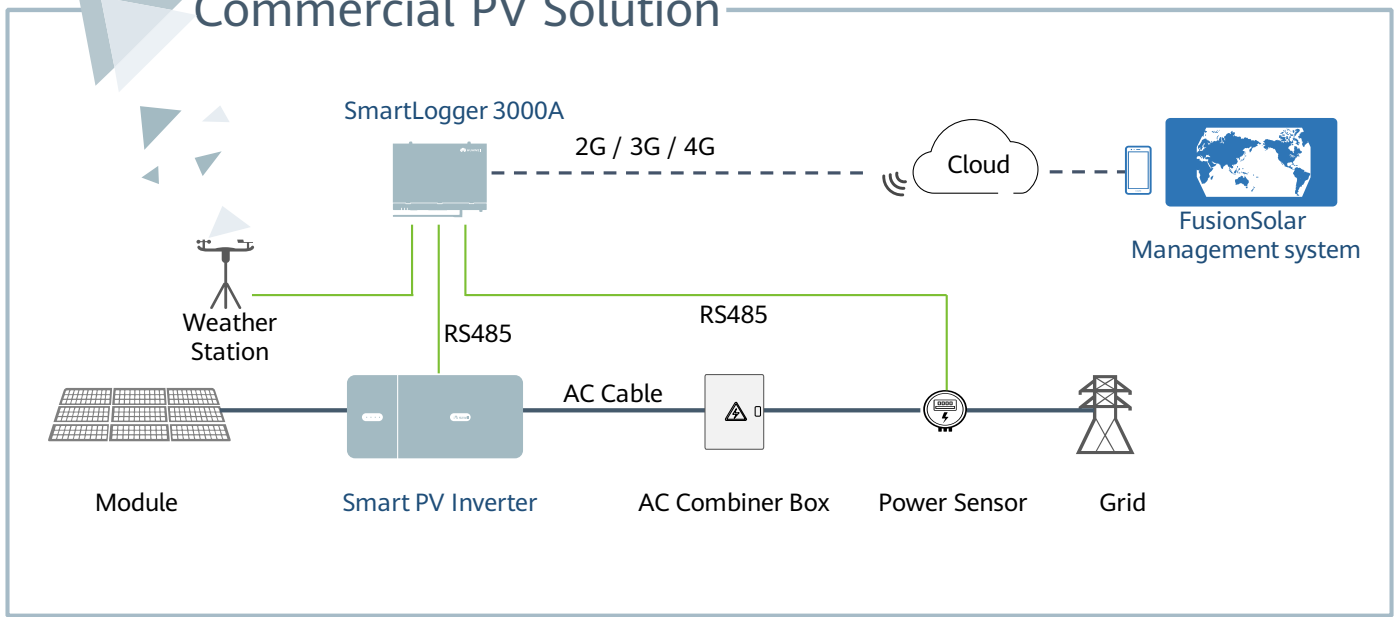


## Energy Efficient

Overall power consumption  $\leq 1$  W

Technical Specification	DDSU666-H	DTSU666-H 250A/50mA
<b>General Data</b>		
Dimension (H x W x D)	100 x 36 x 65.5 mm (3.9 x 1.4 x 2.6 inch)	100 x 72 x 65.5 mm (3.9 x 2.8 x 2.6 inch)
Mounting type	DIN35 Rail	
Weight (including cables)	1.2 kg (2.6 lb)	1.5 kg (3.3 lb)
<b>Power Supply</b>		
Power grid type	1P2W	3P4W
Input voltage (phase voltage)	176 Vac ~ 288 Vac	
Power consumption	$\leq 0.8$ W	$\leq 1$ W
<b>Measurement Range</b>		
Line voltage	/	304 Vac ~ 499 Vac
Phase voltage	176 Vac ~ 288 Vac	
Current	0 ~ 100 A	0 ~ 250 A
<b>Measurement Accuracy</b>		
Voltage	$\pm 0.5$ %	
Current / Power / Energy	$\pm 1$ %	
Frequency	$\pm 0.01$ Hz	
<b>Communication</b>		
Interface	RS485	
Baud rate	9,600 bps	
Communication protocol	Modbus-RTU	
<b>Environment</b>		
Operating temperature range	-25 °C ~ 60 °C	
Storage temperature range	-40 °C ~ 70 °C	
Operating humidity	5 %RH ~ 95 %RH (non-condensing)	
<b>Others</b>		
Accessories	RS485 Cable (10 m / 33 ft.)	
	1 CT 100A / 40mA (5 m / 16.4 ft.) 	3 CT 250A / 50mA (5m / 16.4 ft.) 

# Commercial PV Solution



## Safe & Reliable

Fuse-free design for superior safety  
 Natural cooling fully sealed design for better reliability

## Higher Yields

Multi-MPPT to reduce string mismatch  
 Euro. Efficiency 98.7% for higher yields

## Smart O&M

String-level monitoring for fast trouble-shooting  
 One click I-V curve diagnosis making unhealthy modules visible

