

# Z-7000 Series

## Polycarbonate Panel Flowmeters

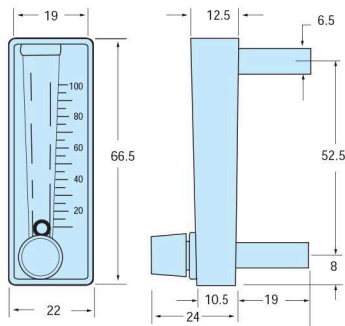
Z-7000 series flowmeter is used in small air flow and liquids, with good shape, easy to install, wash and replace spare parts. Body is PC (polycarbonate), valve is optional.

Flowmeter line of direct reading precision flowmeters incorporates many unique user features at moderate cost. These low cost flowmeters are ideal for general use.

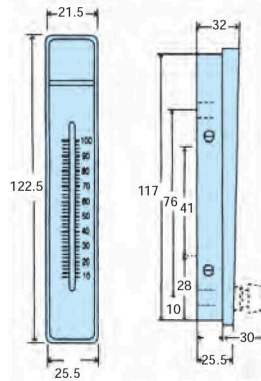
Easy to ready design—the direct reading scales eliminate troublesome conversions. The scales are PC stickers. Special integral flow guides stabilize the float throughout the range to keep it from hunting or wandering in the bore. The float is highly visible against a white background.

Construction assures accuracy—All rate flowmeter bodies are injection molded of tough, clear, shatter-proof polycarbonate plastic around a precision tapered pin. The result is accurate and repeatable readings. The single piece plastic body is mounted to a stainless steel back bone into which pipe thread inserts are welded to absorb piping torque. Precision metering valves of brass or stainless steel.

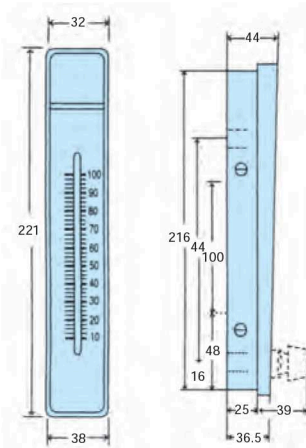
Installation is simple—the flowmeter can be neatly panel mounted to keep flow tube centers in the same plane as the panel surface or surface mounted on the automatically positions the instrument at the correct depth in the panel cutout. Surface mounted units can also be held in place by the piping.



Z-7001



Z-7002



Z-7003

### Specifications

Model	Measuring range		Accuracy	Working pressure	Temp.	Connection
	Water L/min	Air L/min				
Z-7001	0.1~1.1 0.25~2.5 0.3~3.5	0.05~0.5 0.1~1 0.5~5 2.5~25 5~50	±5%	≤0.6MPa	0 ~ +60°C	Ø6
Z-7002	0.3~1.5 1~2 0.5~3	0.5~5 1~10 5~25 5~50 7~70 10~100				1/8 PT
Z-7003	1~4 1~7 1~9	10~100 20~140 20~200 30~300				1/4 PT