

Specifications

Accuracy : ±5%

Tube : Clear Acrylic

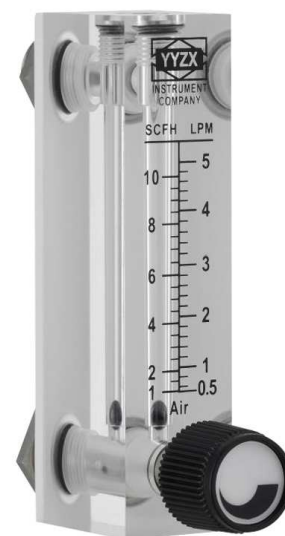
O-Ring : Silicone Rubber

Working pressure : 6 bar

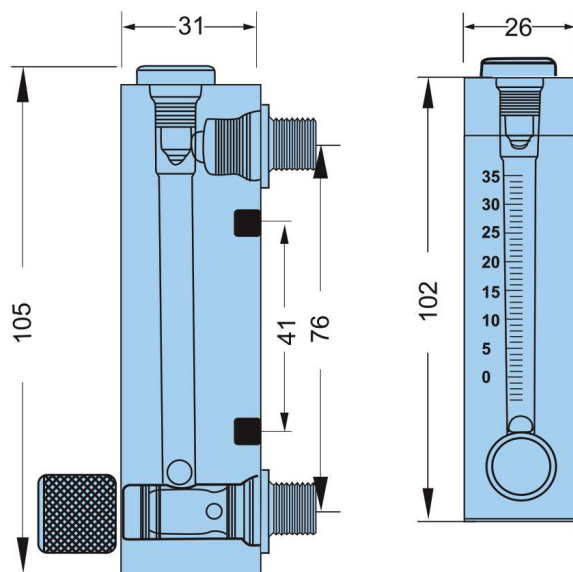
Working temperature : 55°C

Connection : ¼" Female, 304 SS

Model	Medium	Flow Range	Valve
Z-Z001-6M1	Liquid	2-20 L/h	Without Valve
Z-Z001-6M2		4-40 L/h	
Z-Z001-6M3		6-60 L/h	
Z-Z001-6M4		10-100 L/h	
Z-Z001-6T1		2-20 L/h	
Z-Z001-6T2	4-40 L/h		
Z-Z001-6T3	5-50 L/h		
Z-Z001-6T4	6-60 L/h		
Z-Z001-6T5	10-100 L/h		
Z-Z002-6T1	Air	60-600 ml/min	
Z-Z002-6T2		0.1-1 LPM	
Z-Z002-6T3		0.2-2 LPM	
Z-Z002-6T4		1-10SCFH / 0.5-5 LPM	
Z-Z002-6T5		2-20SCFH / 1-10 LPM	
Z-Z002-6T6		4-40SCFH / 2-20 LPM	
Z-Z002-6T7		8-80SCFH / 4-40 LPM	
Z-Z002-6T8		10-100SCFH / 5-50 LPM	
Z-Z002-6T9		20-200SCFH / 10-100 LPM	



Dimension (mm)

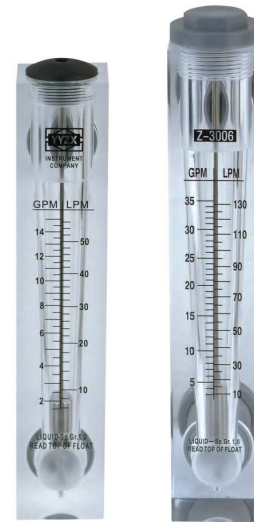


Specifications

Accuracy : ±5%	Connection material : PVC
Body material : Acrylic	Temperature limit : 55°C
O-Ring : Silicone	Pressure limit : 6 Bar

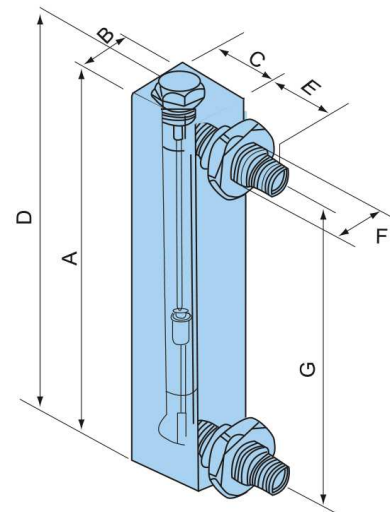
Z-300 Series

Model	Measuring Range (Water)		Connection BSP(F)
	GPM	LPM	
Z-3000	0.03-0.35	0.1-1.4	1/2"
Z-3001	0.2-2	1-7	1/2"
Z-3002	0.5-5	1.8-18	1/2"
Z-3003	2-10	5-40	3/4"
Z-3004	2-16	10-60	3/4"
Z-3005	4-24	20-100	1"
Z-3006	5-35	30-130	1"



Z-300 Dimension (mm)

Model	A	B	C	D	E	F	G
Z-300							
Z-3001	206	34	40	215	31	20	165
Z-3002							
Z-3003	220	41	45	233	47	33	165
Z-3004							
Z-3005	240	44	50	253	47	33	175
Z-3006							



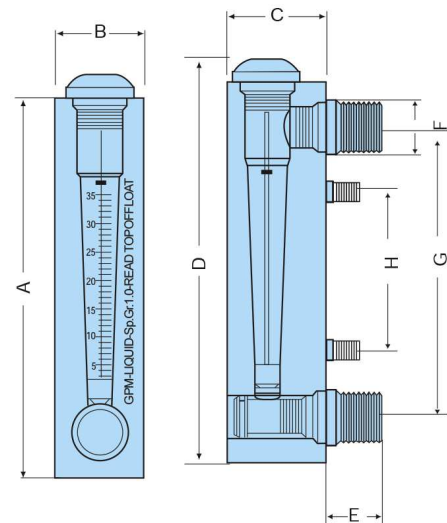
Z-300T Dimension

Z-300K Series

Model	Measuring Range (Water)		Connection BSP(F)
	GPM	LPM	
Z-300K1	0.03-0.35	0.5-4	1/2"
Z-300K2	0.2-2	1-7	1/2"
Z-300K2a	0.5-5	2-11	1/2"
Z-300K3	2-10	2-18	3/4"
Z-300K4	2-16	5-35	3/4"
Z-300K5	4-24	10-50	1"
Z-300K6	5-35	10-70	1"
Z-300K7	5-35	10-130	1"

Z-300K Dimension (mm)

Model	A	B	C	D	E	F	G	H
Z-300K1								
Z-300K2	206	34	40	215	31	20	165	76
Z-300K2a								
Z-300K3								
Z-300K4	226	45	46	232	48	33	165	100
Z-300K5								
Z-300K6								
Z-300K7								



Z-300K Dimension

Specifications

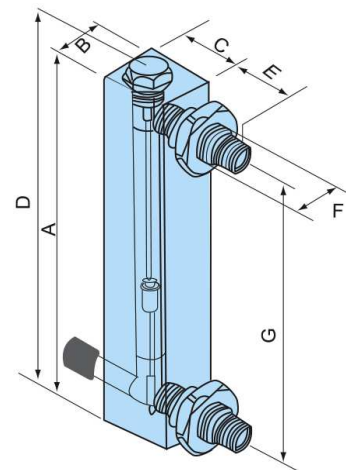
Accuracy : ±5%	Connection material : PVC
Body material : Acrylic	Temperature limit : 55°C
O-Ring : Silicone	Pressure limit : 6Bar



Model	Measuring Range (Water)		Connection BSP(M)
	GPM	LPM	
Z-3000T	0.03-0.35	0.1-1.4	1/2"
Z-30001T	0.2-2	1-7	1/2"
Z-30002T	0.5-5	1.8-18	1/2"
Z-30003T	2-10	5-40	3/4"
Z-30004T	2-16	10-60	3/4"

Z-300T Dimension (mm)

Model	A	B	C	D	E	F	G
Z-3000T							
Z-30001T	206	34	40	215	31	20	165
Z-30002T							
Z-30003T	220	41	45	233	47	33	165
Z-30004T							



Z-300T Dimension

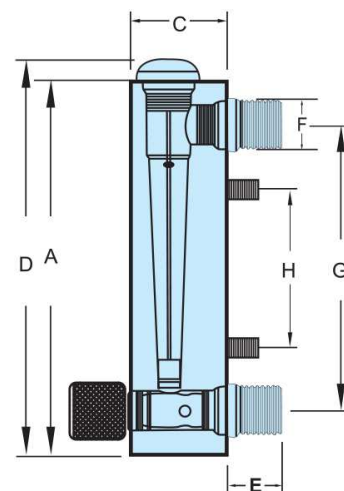
Z-300KT

Model	Measuring Range (Water)		Connection (Thread male)
	GPM	LPM	
Z-300KT1	0.1-1	0.5-4	1/2"
Z-300KT2	0.2-2	1-7	1/2"
Z-300KT3	0.5-5	2-18	1/2"
Z-300KT4	1-10	5-35	3/4"
Z-300KT5	2-14	10-50	3/4"
Z-300KT6	2-20	12-70	1"
Z-300KT7	5-35	10-130	1"



Z-300KT Dimension (mm)

Model	A	B	C	D	E	F	G	H
Z-300KT1								
Z-300KT2	168	30	34	176	25	25	127	76
Z-300KT3								
Z-300KT4								
Z-300KT5	226	45	46	232	48	33	165	100
Z-300KT6								
Z-300KT7								



Z-300KT Dimension