

G

Z-2001T

Model	Water L/h	Model	Air LPM	Thread (M/BSPT)	Accuracy	Working Pressure	Working temperature °C
Z-2001T1	2-20	Z-2002T1	0.1-1	1/8"	±6%	<0.4MPa	≤ 55
Z-2001T2	4-40	Z-2002T2	0.2-2				
Z-2001T3	5-50	Z-2002T3	0.5-5				
Z-2001T4	6-60	Z-2002T4	1-10	1/4"			
Z-2001T5	10-100	Z-2002T5	2-20				
		Z-2002T6	5-50				
		Z-2002T7	10-100				

Z-300KT

Model	Measuring range		Thread male	Accuracy	Working Pressure	Working temperature °C
	Water	20 °C				
	GPM	LPM				
KT1	0.1~1	0.5~4	ZG1/2"	±6%	<0.4MPa	≤ 55
KT2	0.2~2	1~7				
KT3	0.5~5	2~18				
KT4	1~10	5~35	ZG3/4"			
KT5	2~14	10~50				
KT6	2~20	12~70	ZG1"			
KT7	5~35	10~130				

Sizes

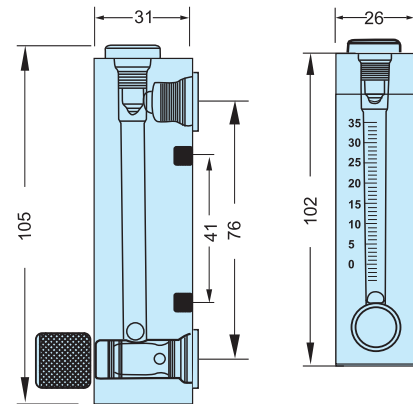
Model	(mm)							
	A	B	C	D	E	F	G	H
T1,T2,T3	168	30	34	176	25	25	127	76
T4,T5, T6,T7	226	45	46	232	48	33	165	100

Z-300T

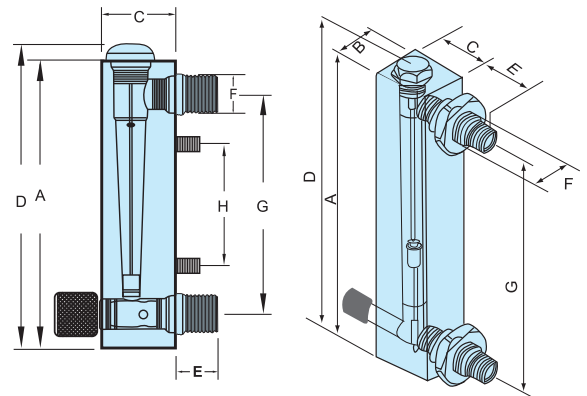
Model	Measuring range		Thread (M/BSPT)	Accuracy	Working Pressure	Working temperature °C
	GPM	LPM				
Z-3000T	0.03~0.35	0.1~1.4	1/2"	±6%	<0.6MPa	≤ 55
Z-3001T	0.2~2	1~7				
Z-3002T	0.5~5	1.8~18				
Z-3003T	2~10	5~40	3/4"			
Z-3004T	2~16	10~60				

Sizes

Model	(mm)						
	A	B	C	D	E	F	G
Z-3000T	206	34	40	215	31	20	165
Z-3001T							
Z-3002T							
Z-3003T	220	41	45	233	47	33	165
Z-3004T							



Z-2001T



Z-300KT

Z-300T

Note: *The medium of this series flowmeters aren't fit for aromatic hydrocarbon, hydrocarbon oxide, alcohol and other organic solvent.