

KF700-VA Series . . . Thread Type Electromagnetic Flowmeter

Specifications

- Accuracy : With the range $\pm 0.5\%$
- Flow Velocity Range : 0.1m/s - 10 m/s
- Medium Conductivity : $>5\mu\text{S/cm}$
- Pipe Size : DN25 to DN100
- Body & Flange Material : 304SS or 316SS
- Electrode Material : 316L SS, Hastelloy Hc, Hastelloy Hb, Platinum (Pt), Tantalum
- Liner Material : PTFE, PFA, F-46
- Temperature Rating : 100°C-150°C (Varies by Liner material and installation type of converter)
- Pressure Rating : PN10
- Enclosure Rating : IP65, IP67, IP68 (Remote type only)
- Compact Type Converter : MF710 or MF720
- Remote Type Converter : MF730
- Power Supply : 85-265V AC, 50Hz, 85-265V AC, 60Hz, 18-36V DC
- Output Signal : 4-20mA, Pulse
- Communication : RS485. Option : HART (MF720 or MF730)
- Electrical Connection : 2 x M20x1.5 Cable Gland
- Process Connection : BSP Threaded, Option : NPT, PT Thread



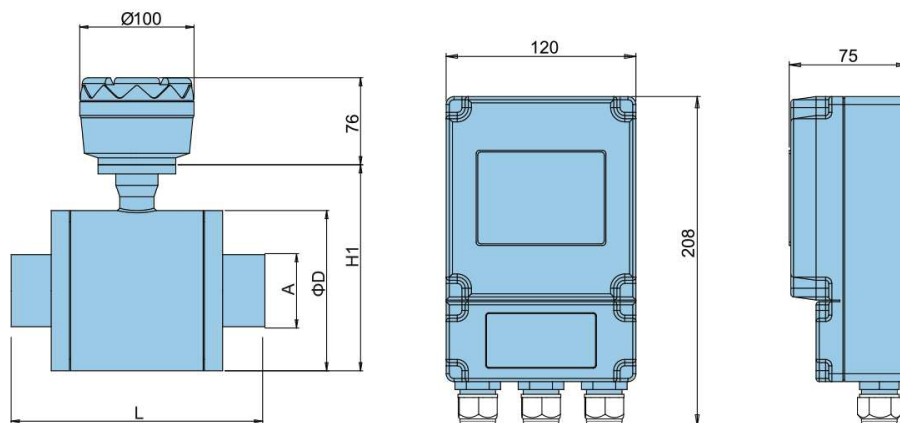
MF730 Converter



MF710 Converter



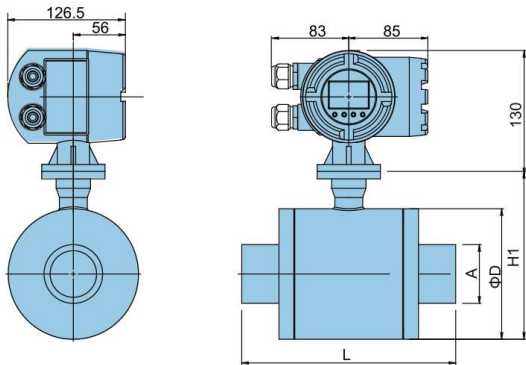
MF720 Converter



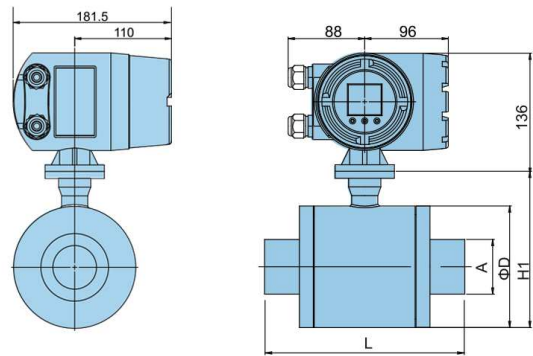
VA Series with MF730 Converter (Remote Type) Dimension (mm)

KF700-VA Series External Dimensions For Compact and Remote Type

DN (mm)	L	D	H1	A (BSP)
10	190	91	130	3/8"
15	190	91	130	1/2"
20	190	91	130	3/4"
25	190	91	130	1"
32	200	105	145	1 1/4"
40	220	120	160	1 1/2"
50	230	140	180	2"
65	240	150	190	2 1/2"
80	250	160	200	3"
100	270	190	230	4"



VA Series with MF710 Converter Dimension (mm)



VA Series with MF720 Converter Dimension (mm)

KF700-VA SERIES ORDERING INFORMATION											
Example Series	KF700-VA	-A1	-25	-1	-1	-L	-3	-2	-1	-A1	
Converter Type	KF700-VA	A1									Thread Type Electromagnetic Flowmeter
		A2									Compact Type with MF710 Converter
		B3									Remote Type with MF730 Converter
Pipe Size			10								DN10, 0.08m ³ /h - 1.6m ³ /h
			15								DN15, 0.2m ³ /h - 4m ³ /h
			20								DN20, 0.3m ³ /h - 6m ³ /h
			25								DN25, 0.5m ³ /h - 10m ³ /h
			32								DN32, 0.8m ³ /h - 16m ³ /h
			40								DN40, 1.2m ³ /h - 25m ³ /h
			50								DN50, 2m ³ /h - 40m ³ /h
			65								DN65, 3.5m ³ /h - 60m ³ /h
			80								DN80, 5m ³ /h - 100m ³ /h
			100								DN100, 8m ³ /h - 160m ³ /h
Thread Type				1							BSP Thread
				2							NPT Thread
				3							PT Thread
Body Material					1						304 Stainless Steel
					2						316L Stainless Steel
						L					316L Stainless Steel
						C					Hastelloy Hc
						B					Hastelloy Hb
						T					Titanium (Ti)
						P					Platinum (Pt)
						A					Tantalum (Ta)
Liner Material							1				PTFE
							2				F46
							3				PFA
Enclosure Rating								1			IP65
								2			IP67
								3			IP68 (Remote Type)
Output Signal									1		4-20mA + Pulse
									2		4-20mA + Pulse + RS485
									3		4-20mA + Pulse + HART (MF720, MF730)
Power Supply										A1	85-265V AC 50Hz
										A2	85-265V AC 60Hz
										B	18-36V DC