



Sherwood Valve LLC

CHLORINE VALVES AND ACCESSORIES



NEW ROBUST DESIGN
Chlorine Cylinder & Ton Container Valves

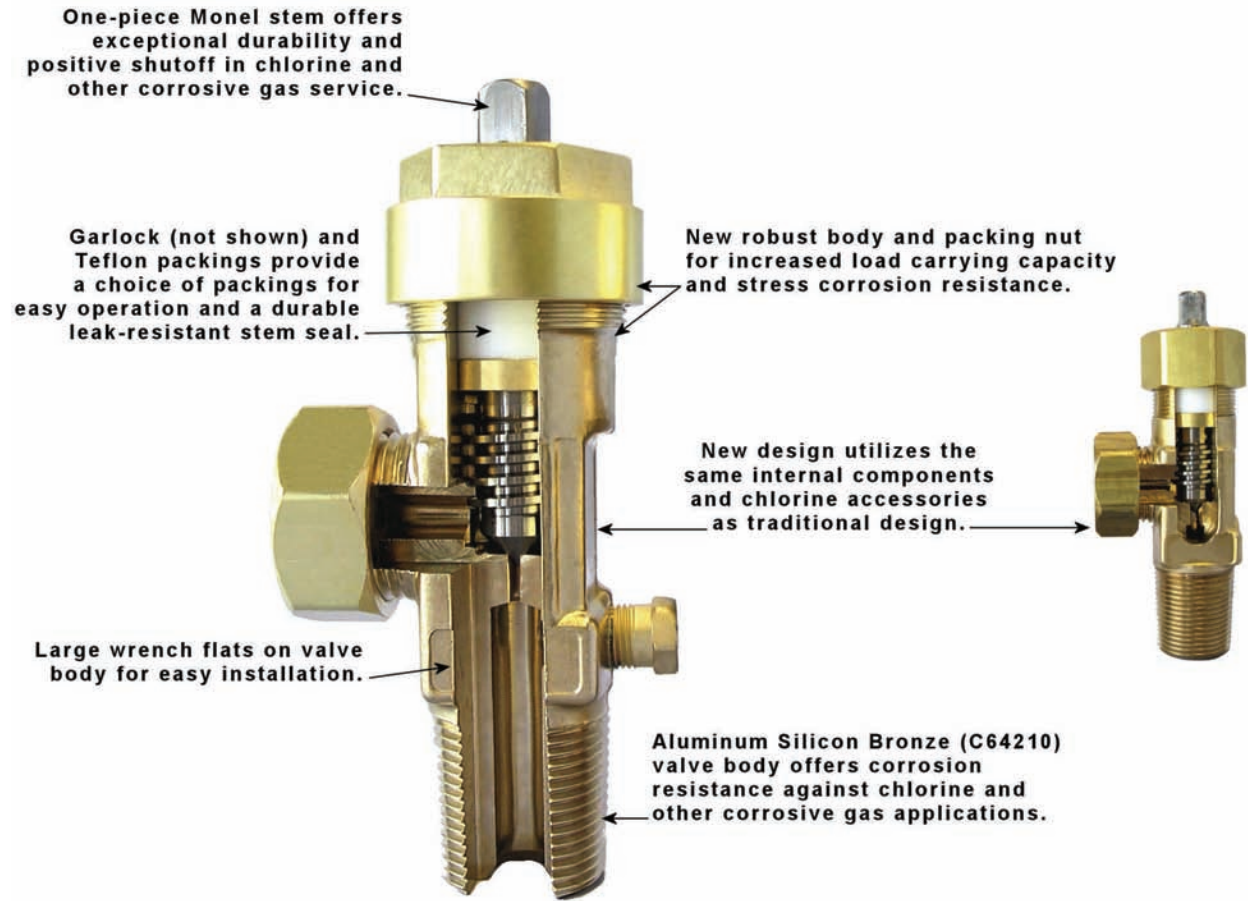


Sherwood Valve LLC

Chemtech International Inc.
Tel. 610-566-7177
Fax. 610-566-9198

www.chemtech-usa.com

NEW DESIGN FOR CHLORINE CYLINDER AND TON CONTAINER VALVES



STANDARDS CONFORMANCE

CGA V-9	Standard for Gas Cylinder Valves
CGA S-1.1	Standard for Pressure Relief Devices
CGA V-1	Compressed Gas Cylinder Valve Outlet and Inlet Connections
Chlorine Institute Pamphlet 17	Cylinder and Ton Container Procedure for Chlorine Packaging
Chlorine Institute	Alternate Valve Design Criteria
ISO 10297	International Standard for Cylinder Valves Design Specification
TPED	Transportable Pressure Equipment Directive Modules B & D

DESIGN SPECIFICATIONS

Maximum Working Pressure	500 PSIG @ 70°F 34 BAR @ 21°C
Burst Pressure	7,200 PSIG 496 BAR
Operating Temperature	Min -50°F -45°C Max 130°F 54°C
Storage Temperature	Min -65°F -54°C Max 155°F 68°C
Leak Rate Internal/External	1 X 10 ⁻⁶ atm cc/s
Minimum Cycle Life	2,000 cycles
Cv Flow Factor	1210A .733 1214A 1.88



Sherwood Valve LLC

CHLORINE CYLINDER WRENCH OPERATED PACKED VALVES

INLET THREAD SIZE	CGA OUTLET*	PRESSURE RELIEF DEVICE	SHERWOOD P/N TEFLON® PACKING	SHERWOOD P/N GARLOCK® PACKING
¾ - 14NGT (CL)-1	660 / 820	CG-2 165°F Fuse-Metal	1210AX1-CL1	1210A-CL1
¾ - 14NGT (CL)-2	660 / 820	CG-2 165°F Fuse-Metal	1210AX1-CL2	1210A-CL2
¾ - 14NGT (CL)-3	660 / 820	CG-2 165°F Fuse-Metal	1210AX1-CL3	1210A-CL3
¾ - 14NGT (CL)-4	660 / 820	CG-2 165°F Fuse-Metal	1210AX1-CL4	1210A-CL4

CHLORINE TON CONTAINER WRENCH OPERATED PACKED VALVES

INLET THREAD SIZE	CGA OUTLET*	PRESSURE RELIEF DEVICE	SHERWOOD P/N TEFLON® PACKING	SHERWOOD P/N GARLOCK® PACKING
¾ - 14NGT (CL)-1	660 / 820	None	1214AX1-CL1	1214A-CL1
¾ - 14NGT (CL)-2	660 / 820	None	1214AX1-CL2	1214A-CL2
¾ - 14NGT (CL)-3	660 / 820	None	1214AX1-CL3	1214A-CL3
¾ - 14NGT (CL)-4	660 / 820	None	1214AX1-CL4	1214A-CL4

(CL)-1= 1ST THREAD STANDARD

(CL)-2= 1ST THREAD 4 THREADS OVERSIZED

(CL)-3= 1ST THREAD 8½ THREADS OVERSIZED

(CL)-4= 1ST THREAD 14 THREADS OVERSIZED

*The same chlorine valve can be used with a CGA 660 connector nut connection or with a CGA 820 yoke connection.

OPTIONS

⅝ - 18 NPT Tapped Inlet: To order, change part number from X1 to X2.
e.g. 1210AX1-CL1 becomes 1210AX2-CL1 (High Flow, Cv 1.88)

¼ - 18 NPT Tapped Inlet: To order, change part number from X1 to X3.
e.g. 1214AX1-CL1 becomes 1214AX3-CL1

Cap and Chain: To order, add -C to the end of the part number.
e.g. 1210AX2-CL1 becomes 1210AX2-CL1-C

**NOTE: Not all valves available with all options. Contact factory for availability.
Orders may be subject to minimum quantities.**

MATERIALS OF CONSTRUCTION FOR CHLORINE CYLINDER AND TON CONTAINER VALVES

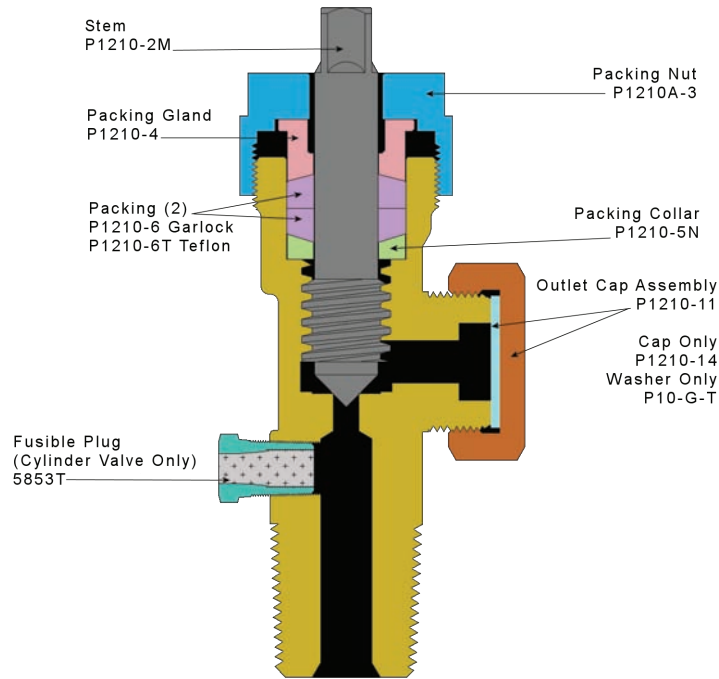
Body	Aluminum Silicon Bronze C64210
Stem	Monel® ASTM B164-84 Type UNS NO4400 or NO4405
Packing Nut	UNS Alloy CDA C36000
Packing Collar	Naval Brass C48500
Packing Gland	Brass C36000
Packing	Teflon® or Garlock 6130®
Outlet Cap	Brass C36000
Outlet Cap Gasket	Teflon®
Fusible Plug PRD	Naval Brass C48500 (with 165°F fusible metal)

TORQUE VALUES FOR CHLORINE CYLINDER AND TON CONTAINER VALVES

5 - 6 Ft. Lbs.	Operating Torque (new or reconditioned valve)
25 - 30 Ft. Lbs.	Packing Nut Installation Torque
10 - 12 Ft. Lbs.	Stem Installation Torque (new or reconditioned valve with refaced seat)
12 - 15 Ft. Lbs.	Fusible Plug Installation Torque



REPLACEMENT PARTS FOR CHLORINE CYLINDER AND TON CONTAINER VALVES



DIMENSIONS FOR CHLORINE CYLINDER AND TON CONTAINER VALVES

DIMENSIONS IN INCHES

NOT SHOWN:
WRENCH FLAT 1.12

