

LIQUID TURBINE FLOW METER

SIL



DESCRIPTION

The liquid turbine flow meter are specially designed for liquid measurement. It operate according to the turbine principle.

APPLICATIONS

- Petrochemical/energy industry
- Hydraulic/lubrication system
- Test systems
- Distilled water
- Clean water
- Food and beverage industry

FEATURES

- Light oil & purity liquid measurement
- Modbus RS485 Communication
- Backlight option
- Working Max Temp.: +150°C
- Unit of GPM, Kg/h, Ft³/h, LPM, BPD, m³/h, Ton/h
- Totalizer reset
- High/low alarm

TECHNICAL DATA

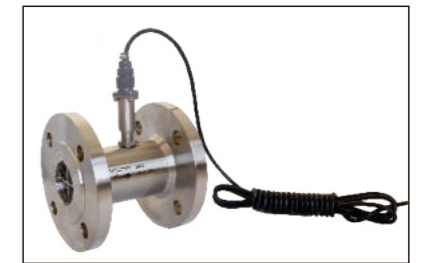
Output	Pulse; 4-20mA	
Accuracy	±1.0 of Rate; ±0.5% of Rate	
Ambient Temp.	- 20...+60 °C	
Fluid Temp.	- 20...+150 °C	
Body Material	SS304; SS316	
Rotor Material	2Cr13; CD4MCu	
Bearing Material	Tungsten Carbide	
Connection	Flange of DIN, JIS, ANSI	DN15- DN 200
	Thread of G, BSP, NPT	DN4- DN 50
	Sanitary Tri- Clamp	DN10- DN100
	Wafer	DN50- DN200
Communication	RS485	
Power Supply	24V DC; Battery; 220V AC	
Protection	IP65	
Explosion Proof	Exd IIC T6 Gb	



N2- Current Output Type

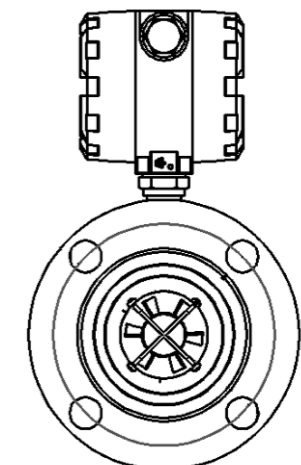
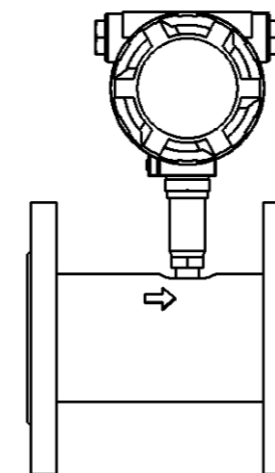


E- Digital Type



N1- Pulse Type

TECHNICAL DRAWINGS



LIQUID TURBINE FLOW METER

MODEL SELECTION

Model	Suffix Code									Description
LWGY-	①	②	③	④	⑤	⑥	⑦	⑧	⑨	Liquid Turbine Flow Meter
Diameter	XXX									Stand for diameter 004: DN4; 006: DN6 100: DN100; 200: DN200
Converter Type	N1									24V DC; Pulse output; No display
	N2									24V DC; Pulse output; No display; Ex
	A									24V DC; 4-20mA output; No display; Ex
	E1									Battery power supply; No output; Ex ; Digital display
	E2									24V DC; 2/3 wires 4-20mA/ Pulse output; Ex ; Digital display
	E4									24V DC; 0-20mA output; Ex; Digital display
	G									220V AC; 4-20mA output; Ex; Digital display
	FE									FE: Fluidwell E series converter(Refer to page 11)
	FF									FF: Fluidwell F series converter(Refer to page 12)
Accuracy	Notice:									1) Modbus RS485 is optional for E2, E4, and G type 2) Dual Power(24V DC+ Battery) is optional for E2, E4, G type
	10									±1.0% of rate
	05									±0.5% of rate
Flow Range	02									±0.2% of rate (consult with factory)
	S									Standard Range
Body Material	E									Extended Range
	S4									SS304
Rotor Material	S6									SS316
	Cr									2Cr13
Explosion Proof	CD									CD4MCu
	CT									Exd II C T6 Gb
Connection	NA									No explosion proof
	THM									Male thread; Available from DN4...DN50
	THF									Female thread; Available from DN4...DN50
	WAF									Wafer connection
	TRC									DN10- DN 100 (Sanitary type)
	DXX									D16: DIN PN16 Flange; D25: DIN PN25 Flange...
Temperature	AXX									A15: ANSI 150# Flange; A30: ANSI 300# Flange...
	JXX									J10: JIS 10K Flange; J20: JIS 20K Flange...
Temperature	T1									-20...+80°C
	T2									-20...+120°C
	T3									-20...+150°C

FLOW RANGE

Diameter (mm)	Standard Range (m³/h)	Extended Range (m³/h)	Max. pressure loss (kPa)
4	0.04-0.25	0.04-0.4	120
6	0.1-0.6	0.06-0.6	80
10	0.2-1.2	0.15-1.5	50
15	0.6-3.6	0.5-5	35
20	0.8-8	0.45-9	35
25	1-10	0.5-10	35
32	1.5-15	0.8-15	35
40	2-20	1-20	35
50	4-40	2-40	35
65	7-70	5-70	25
80	10-100	7-100	25
100	20-200	10-200	25
125	25-250	13-250	25
150	30-300	15-300	25
200	80-800	40-800	25