

Specifications

Accuracy : ±5%	O-Ring : VITON
Tube material : PC (Polycarbonate)	Max. working pressure : 6 bar
Float material : ABS	Max. temperature : 60°C
Guide rod material : SS316	Process connection : Socket, female, Flange
Option : Alarm Switch (Model LZS15 - LZS-25, LZS-32, LZS-50)	

DN (mm)	Model	Flow range (Water)	Female	Socket	Flange
15	LZS-15	10-100 L/h	½" BSP	½", ¾" Thai Pipe Sch.80 UPVC Pipe	½", ¾" ANSI/JIS
		16-160 L/h			
		25-250 L/h			
		40-400 L/h			
		60-600 L/h			
25	LZS-25	0.1-1 m ³ /h	¾"BSP ¾"NPT	¾", 1" Thai Pipe Sch.80 UPVC Pipe	¾", 1" ANSI/JIS
		0.16-1.6 m ³ /h			
		0.25-2.5 m ³ /h			
32	LZS-32	0.4-4 m ³ /h	1" BSP 1" NPT	1", 1 ¼" Thai Pipe Sch.80 UPVC Pipe	1", 1 ¼" ANSI/JIS
		0.6-6 m ³ /h			
50	LZS-50	0.4-4 m ³ /h	2" BSP 2" NPT	1 ½", 2" Thai Pipe Sch.80 UPVC Pipe	1 ½", 2" ANSI/JIS
		0.6-6 m ³ /h			
		1-10 m ³ /h			
		1.6-16 m ³ /h			
65	LZS-65	5-25 m ³ /h	2 ½" NPT	2", 2 ½" Thai Pipe Sch.80 UPVC Pipe	2", 2 ½", 3" ANSI/JIS
		8-40 m ³ /h			
		12-60 m ³ /h			
100	LZS-100 Flange	12-60 m ³ /h	-	-	4" ANSI/JIS
		18-90 m ³ /h			
		20-120 m ³ /h			
125	LZS-125 Flange	25-150 m ³ /h	-	-	5"- ANSI/JIS
		30-180 m ³ /h			
150	LZS-150 Flange	12-60 m ³ /h	-	-	6" ANSI/JIS
		18-90 m ³ /h			
		20-120 m ³ /h			
		25-150 m ³ /h			
		30-180 m ³ /h			

Note : Direct exposure to sunlight is not recommended

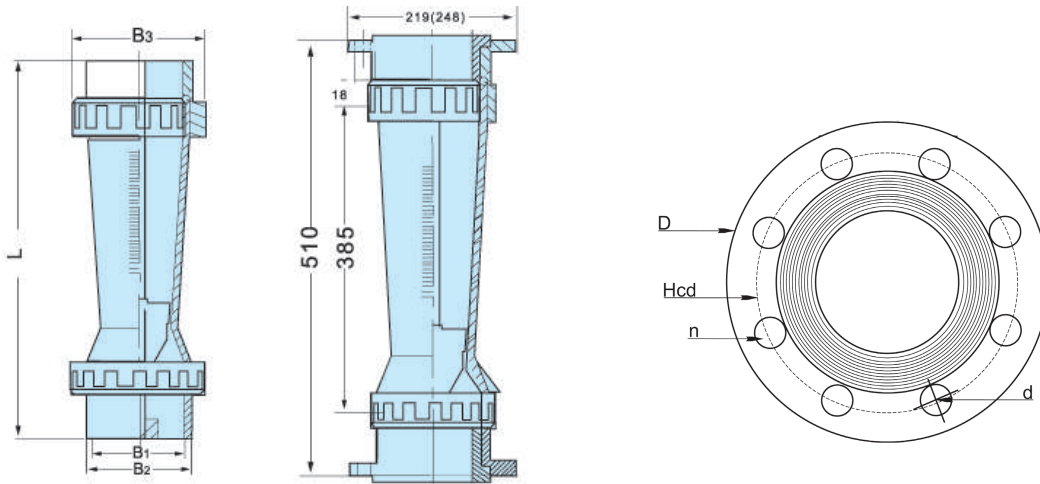
Process connection Type



LZS Series Dimensions (mm)

DN (mm)	L	B2	B3	B1				D			Hcd			d			n
				DIN	JIS	ANSI Sch.80	THAI pipe (PVC13.5)	DIN	JIS	ANSI	DIN	JIS	ANSI	DIN	JIS	ANSI	
15	220	26	51	20	22	21.34	22±0.15	95	95	89	65	70	61	14	15	16	4
25	230	39	60	32	32	33.40	34±0.15	115	125	108	85	90	80	14	19	16	4
32	290	49	72	40	38	42.16	42±0.15	140	135	118	100	100	89	18	19	16	4
50	375	73	98	63	60	60.33	60±0.15	165	155	152	125	120	121	18	19	19	4
65	420	88	122	75	76	73.03	76±0.15	185	175	178	145	140	140	18	19	19	4
100	510	-	-	-	-	-	-	220	210	229	180	175	190	18	19	19	8
125	510	-	-	-	-	-	-	250	250	254	210	210	216	18	23	19	8
150	510	-	-	-	-	-	-	285	280	279	240	240	241	23	23	23	8

Note : D = Flange Diameter, d = Diameter of Bolt Holes, Hcd = Hole Circle Diameter, n = Number of Bolt Holes



DN: 15~65

DN: 100(125)

