

A



### Performance Feature

Diameter: DN25~DN150

Electrodes: 316L, Hb, Hc, Ti, Ta, Pt

Liner: PBT

Medium: conductivity liquids

Medium Diameter:  $\geq 20\mu\text{s}/\text{cm}$

Accuracy:  $\pm 0.5\% \text{RS}$ ,  $\pm 1.0\% \text{RS}$

Converter Model: MF710 / MF730 / MF750 / MF760

Velocity of flow: 0.1m/s -10m/s

Working temp.:  $-25^{\circ}\text{C} \sim +100^{\circ}\text{C}$

Working pressure: 1.0MPa

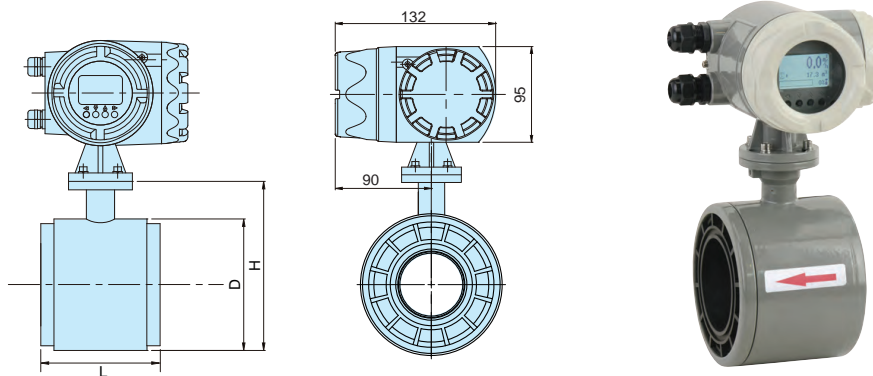
Output Signal: 4 ~ 20mA- frequency

Power: 85~265VAC (50HZ or 60HZ) , 24VDC

Installation: compact, remote

### MF710

External dimensions(mm)



### MF730

External dimensions(mm)

