

KF700M Mini Electromagnetic Flowmeter

KF700M series Magnetic Inductive Flowmeter is our new developed low flow flowmeter with latest technologies, there are no moving parts, no mechanic wear, compact size design and easy installation. It is an alternative of Paddle Wheel Flowmeter when measuring waste water or dirty liquids. And suitable for continuously flow measurement on wide range of applications. 24V DC power supply and pulse output, also can be pre-configured at factory for any special flow measurement.

Specifications

Accuracy : ±2.0%RS

Sensor Diameter : DN2-DN25

Velocity of flow : 0.3m/s-10m/s

Medium : Conductivity liquids

Medium conductivity : ≥5 μs/cm, Softener ≥20 μs/cm

Housing material : Aluminum

Electrode material : 316L SS, Hc, Ti

Connection material : 316 SS

Working pressure : PN6, PN10

Working temperature : -60 to +60°C

Protection : IP65

Power supply : 24VDC

Output signal : Frequency / pulse, 4-20 mA

Electrical connection : M12 Plug or Mini DIN connector

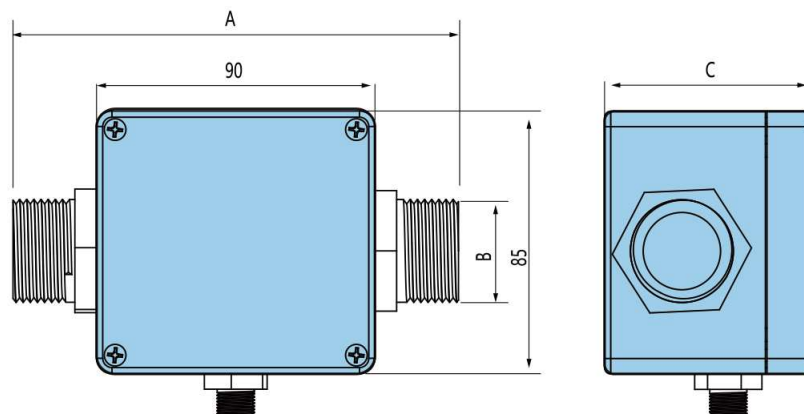
DN (mm)	Measuring Range (L/min)		Connection BSP(M)
	Standard	Special	
2	0.1-1	0.1-2	3/8"
3	0.2-2	0.2-4	3/8"
4	0.4-4	0.4-8	3/8"
6	0.8-8	0.8-16	3/8"
8	1.5-15	1.5-30	1/2"
10	2-20	2-40	1/2"
15	5-50	5-100	1/2"
20	9-90	9-180	3/4"
25	15-150	15-300	1"

External Dimensions (mm)

DN (mm)	A	B (BSP)	C
2	130	3/8"	67.5
3	130	3/8"	
4	130	3/8"	
6	130	3/8"	
8	150	1/2"	
10	150	1/2"	
15	150	1/2"	
20	150	3/4"	
25	160	1"	



Model KF700M



KF700MD Mini Electromagnetic Flowmeter

KF700M series Magnetic Inductive Flowmeter is our new developed low flow flowmeter with latest technologies, there are no moving parts, no mechanic wear, compact size design and easy installation. It is an alternative of Paddle Wheel Flowmeter when measuring waste water or dirty liquids. And suitable for continuously flow measurement on wide range of applications. 24V DC power supply and pulse output, also can be pre-configured at factory for any special flow measurement.

Specifications

Accuracy : ±2.0%RS

Sensor Diameter : DN2-DN25

Velocity of flow : 0.3m/s-10m/s

Medium : Conductivity liquids

Medium conductivity : ≥5 μs/cm, Softener ≥20 μs/cm

Housing material : Aluminum

Electrode material : 316L SS, Hc, Ti

Connection material : 316 SS

Working pressure : PN6, PN10

Working temperature : -60 to +60°C

Protection : IP65

Power supply : 24VDC

Output signal : Frequency / pulse, 4-20mA

Electrical connection : M12 Plug or Mini DIN connector

DN (mm)	Measuring Range (L/min)		Connection BSP(M)
	Standard	Special	
2	0.1-1	0.1-2	3/8"
3	0.2-2	0.2-4	3/8"
4	0.4-4	0.4-8	3/8"
6	0.8-8	0.8-16	3/8"
8	1.5-15	1.5-30	1/2"
10	2-20	2-40	1/2"
15	5-50	5-100	1/2"
20	9-90	9-180	3/4"
25	15-150	15-300	1"

External Dimensions (mm)

DN (mm)	A	B (BSP)	C
2	130	3/8"	68
3	130	3/8"	
4	140	3/8"	
6	140	3/8"	
8	160	1/2"	
10	160	1/2"	
15	160	1/2"	
20	160	3/4"	
25	170	1"	



Model KF700MD

