

KF500 Series . . . Turbine Flowmeter

Turbine transducers are used for the precise measurement of instantaneous flow rates and flow quantities of low-viscosity fluids. It can be widely used in the fields of Petrol, chemical industry, metallurgy, scientific research for measuring or control. Several output and display options can be selected.

1. **PT** : 3 wires, 24VDC power, pulse, output without local display
2. **CT** : 2wires, 24 VDC, 4-20mA output without local display
3. **BT** : Battery power, instantaneous flowrate and totalizer
4. **IT** : 24VDC/85-265VAC, 4-20mA and pulse output with instantaneous flowrate and totalizer

Specifications

Accuracy : ±0.5% (DN6-DN200) / 1.0% (DN2-DN4)

Sensor Diameter : DN2-DN200

Connection Type : Threaded, Tri-clamp, Flange

Medium Temperature Limit : -20°C to 100°C

Wetted Parts Material : 304SS (Standard), Option : 316SS

Converter : Compact or Remote

Output Signal : Pulse, 4-20 mA

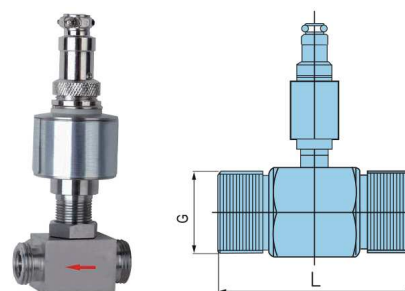
DN (mm)	Measuring Range (m ³ /h)	
	Error 0.5%	Error 1%
2	--	0.01-0.13
3	--	0.04-0.25
4	--	0.04-0.25
6	0.1 - 0.6	0.1 - 0.6
10	0.25 - 1.2	0.2 - 1.2
15	0.6 - 4	0.4 - 4
20	1.1 - 7	0.7 - 7
25	1.6 - 10	1 -10
32	2.5 - 16	1.6 - 16
40	3 - 20	2.5 - 25
50	4 - 40	4 - 40
65	6 - 60	6 -60
80	10 - 100	10 - 100
100	20 - 160	16 -160
150	50 - 300	40 - 400
200	100 - 600	80 - 800



VA Type with Local Display

VA Thread Dimensions (mm)

DN (mm)	G (BSP)	L	Weight (Kg)
2	¼"	40	0.5
3	¼"	55	0.7
4	¼"	40	0.5
6	3/8"	50	0.6
10	½"	50	0.65
15	1"	75	1.0
20	1"	75	1.2
25	1 ¼"	100	1.7
32	1 ¼"	120	2.2

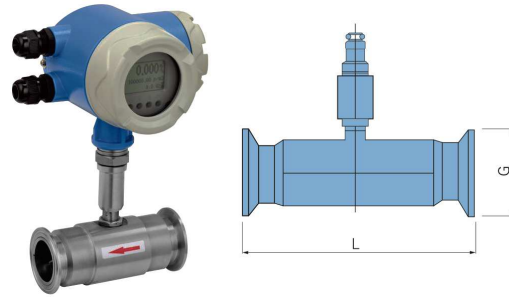


VA Type with Pulse or 4-20mA Output Dimension

KF500 Series . . . Turbine Flowmeter

KA Tri-clamp Dimensions (mm)

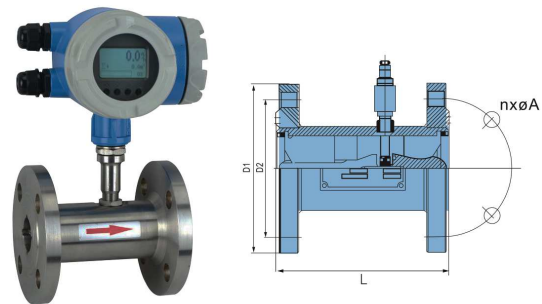
DN	G	L	Weight (Kg)
10	3/8"	51	0.5
15	1/2"	51	0.7
20	1"	51	0.5
25	1"	51	0.6
32	1 1/4"	64	0.65
40	1 1/2"	64	1.0
50	2"	77.5	1.2
65	2 1/2"	91	1.7



KA Type Dimension

FA Flange Dimensions (mm)

DN	D1	D2	n x ØA	L	Weight (Kg)
10	90	60	4x14	60	1.9
15	95	65	4x14	75	2.0
20	105	75	4x14	75	2.9
25	115	85	4x14	100	3.7
32	140	100	4x18	120	5
40	150	110	4x18	140	7
50	165	125	4x18	150	9
65	185	145	4x18	180	11
80	200	160	8x18	200	14
100	220	180	8x18	220	21
150	285	240	8x22	300	36
200	340	295	12x22	360	57



FA Type Dimension

KF500 - VA SERIES ORDERING INFORMATION					
Example	KF500-VA	-A	-1	-20	-IT
Series	KF500-VA				Threaded Type Turbine Flowmeter
Converter Type	A				Compact Type
	B				Remote Type
Process Connection	1				BSP Thread
	2				NPT Thread
Pipe Size	2				DN2, 1/8", 0.01 - 0.13 m³/h
	3				DN3, 1/4", 0.04 - 0.25 m³/h
	4				DN4, 1/2", 0.04 - 0.25 m³/h
	6				DN6, 3/8", 0.1 - 0.6 m³/h
	10				DN10, 1/2", 0.2 - 1.2 m³/h
	15				DN15, 1", 0.4 - 4.0 m³/h
	20				DN20, 1", 0.7 - 7 m³/h
Product Type	25				DN25, 1 1/4", 1 - 10 m³/h
	32				DN32, 1 1/2", 1.6 - 16 m³/h
	PT				3 wires, 24VDC power, pulse, output without local display
	CT				2wires, 24 VDC, 4-20mA output without local display
	BT				Battery power, instantaneous flowrate and totalizer, No output signal
	IT				Smart type bolt 24VDC and 220VAC power supplies, with 4-20 ma, pulse outputs, with display of instantaneous and cumulative flow

KF500 - KA SERIES ORDERING INFORMATION							
Example	KF500-KA	-A	-J	-25	-IT		
Series	KF500-KA					Clamp (Sanitary) Type Turbine Flowmeter	
Converter Type		A				Integrated Type	
		B				Remote Type	
Process Connection			J			Tri-clamp	
Pipe Size				10		DN10, 0.2 - 1.2 m ³ /h	
				15		DN15, 0.4 - 4.0 m ³ /h	
				20		DN20, 0.7 - 7 m ³ /h	
				25		DN25, 1 - 10 m ³ /h	
				32		DN32, 1.6 - 16 m ³ /h	
				40		DN40, 2.5 - 25 m ³ /h	
				50		DN50, 4 - 40 m ³ /h	
				65		DN65, 6 - 60 m ³ /h	
Product Type						PT	3 wires, 24VDC power, pulse, output without local display
						CT	2wires, 24 VDC, 4-20mA output without local display
						BT	Battery power, instantaneous flowrate and totalizer, No output signal
						IT	Smart type bolt 24VDC and 220VAC power supplies, with 4-20 ma, pulse outputs, with display of instantaneous and cumulative flow

KF500 - FA SERIES ORDERING INFORMATION							
Example	KF500-FA	-A	-1	-25	-CT		
Series	KF500-FA					Flange Type Turbine Flowmeter	
Converter Type		A				Integrated Type	
		B				Remote Type	
Process Connection						1	DIN (Standard)
						2	ANSI
						3	JIS
Pipe Size						10	DN10, 0.2 - 1.2 m ³ /h
						15	DN15, 0.4 - 4.0 m ³ /h
						20	DN20, 0.7 - 7 m ³ /h
						25	DN25, 1 - 10 m ³ /h
						32	DN32, 1.6 - 16 m ³ /h
						40	DN40, 2.5 - 25 m ³ /h
						50	DN50, 4 - 40 m ³ /h
						65	DN65, 6 - 60 m ³ /h
						80	DN80, 10 - 100 m ³ /h
						100	DN100, 20 - 160 m ³ /h
Product Type						PT	3 wires, 24VDC power, pulse, output without local display
						CT	2wires, 24 VDC, 4-20mA output without local display
						BT	Battery power, instantaneous flowrate and totalizer, No output signal
						IT	Smart type bolt 24VDC and 220VAC power supplies, with 4-20 ma, pulse outputs, with display of instantaneous and cumulative flow