

KF700-KA Series . . . Sanitary Type Electromagnetic Flowmeter

Specifications

- Accuracy : With the range $\pm 0.5\%$
- Flow Velocity Range : 0.1m/s – 10 m/s
- Medium Conductivity : $>5\mu\text{S/cm}$
- Pipe Size : DN25 to DN100
- Body & Flange Material : 304SS or 316LSS
- Electrode Material : 316L SS, Hastelloy Hc, Hastelloy Hb, Platinum (Pt), Tantalum
- Liner Material : PTFE, PFA, F-46
- Temperature Rating : 100°C-150°C (Varies by Liner material and installation type of converter)
- Pressure Rating : PN10
- Enclosure Rating : IP65, IP67, IP68 (Remote type only)
- Compact Type Converter : MF710 or MF720
- Remote Type Converter : MF730
- Power Supply : 85-265V AC, 50Hz, 85-265V AC, 60Hz, 18-36V DC
- Output Signal : 4-20mA, Pulse
- Communication : RS485. Option : HART (MF720 or MF730)
- Electrical Connection : 2 x M20x1.5 Cable Gland
- Process Connection : Tri-clamp type



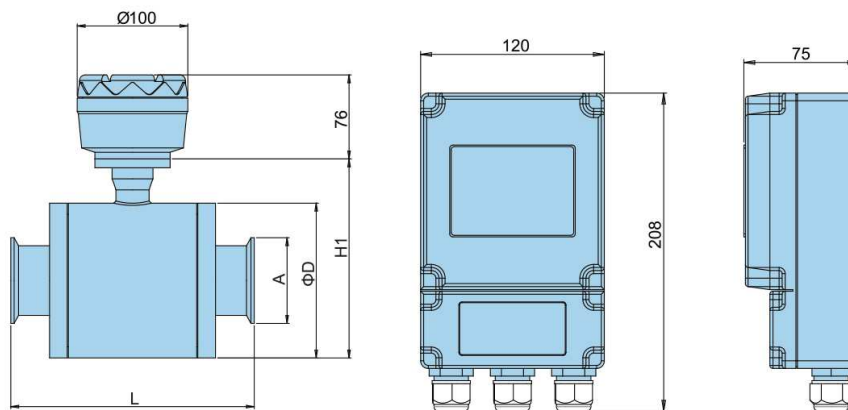
MF730 Converter



MF710 Converter



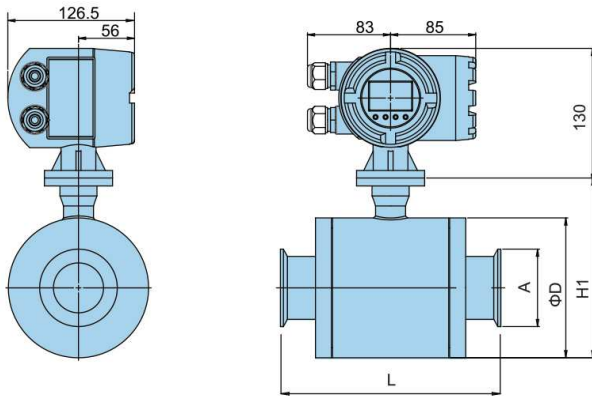
MF720 Converter



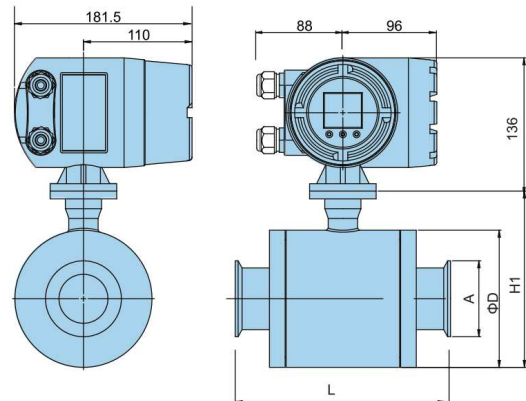
KA Series with MF730 Converter (Remote Type) Dimension (mm)

KF700-KA Series External Dimensions For Compact and Remote Type

DN (mm)	L (mm)	D (mm)	H1 (mm)	A (mm)
10	180	91	130	50.5
15	180	91	130	50.5
20	180	91	130	50.5
25	180	91	130	50.5
32	190	105	145	50.5
40	200	120	165	64
50	220	140	180	77.5
65	230	150	190	91
80	250	160	200	106
100	270	190	230	119



KA Series with MF710 Converter Dimension (mm)



KA Series with MF720 Converter Dimension (mm)

KF700-KA SERIES ORDERING INFORMATION										
Example	KF700-KA	-A1	-25	-1	-L	-3	-2	-1	-A1	
Series	KF700-KA									Sanitary Electromagnetic Flowmeter
Converter Type		A1								Compact Type with MF710 Converter
		A2								Compact Type with MF720 Converter
		B3								Remote Type with MF730 Converter
Pipe Size			10							DN10, 0.08m³/h - 1.6m³/h
			15							DN15, 0.2m³/h - 4m³/h
			20							DN20, 0.3m³/h - 6m³/h
			25							DN25, 0.5m³/h - 10m³/h
			32							DN32, 0.8m³/h - 16m³/h
			40							DN40, 1.2m³/h - 25m³/h
			50							DN50, 2m³/h - 40m³/h
			65							DN65, 3.5m³/h - 60m³/h
Body Material				1						304 Stainless Steel
				2						316L Stainless Steel
Electrode Material					L					316L Stainless Steel
					C					Hastelloy Hc
					B					Hastelloy Hb
					T					Titanium (Ti)
					P					Platinum (Pt)
Liner Material							1			PTFE
							2			F46
							3			PFA
Enclosure Rating								1		IP65
								2		IP67
								3		IP68 (Remote Type)
Output Signal									1	4-20mA + Pulse
									2	4-20mA + Pulse + RS485
									3	4-20mA + Pulse + HART (MF720, MF730)
Power Supply									A1	85-265V AC 50Hz
									A2	85-265V AC 60Hz
									B	18-36V DC