

KF700-JA Series... Wafer Type Electromagnetic Flowmeter

Specifications

- Accuracy : With the range $\pm 0.5\%$
- Flow Velocity Range : 0.1m/s – 10 m/s
- Medium Conductivity : $>5\mu\text{S/cm}$
- Pipe Size : DN25 to DN150
- Body & Flange Material : 304SS or 316SS
- Electrode Material : 316L SS, Hastelloy Hc, Hastelloy Hb, Platinum (Pt), Tantalum
- Liner Material : PTFE, PFA, F-46, Ceramic
- Temperature Rating : -25°C - 150°C (Varies by Liner material and installation type of converter)
- Pressure Rating : PN10
- Enclosure Rating : IP65, IP67, IP68 (Remote type only)
- Compact Type Converter : MF710 or MF720
- Remote Type Converter : MF730
- Power Supply : 85-265V AC, 50Hz, 85-265V AC, 60Hz, 18-36V DC
- Output Signal : 4-20mA, Pulse
- Communication : RS485. Option : HART (MF720 or MF730)
- Electrical Connection : 2 x M20x1.5 Cable Gland
- Connection Standard : Wafer (DIN (Standard), Option : ANSI, JIS)



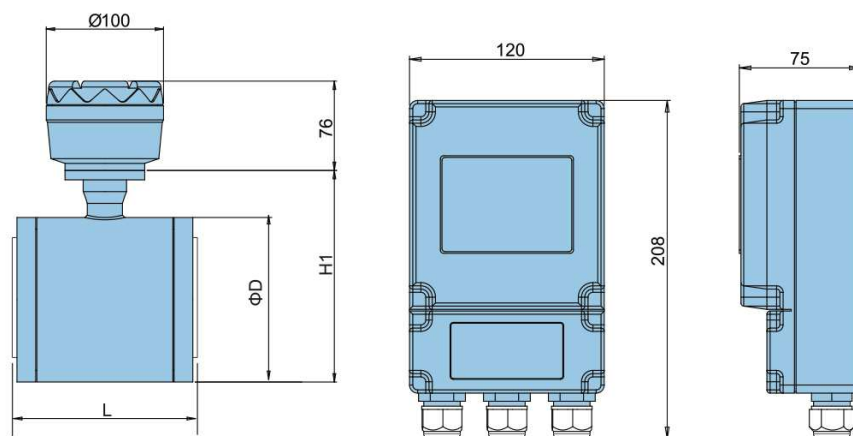
MF730 Converter



MF710 Converter



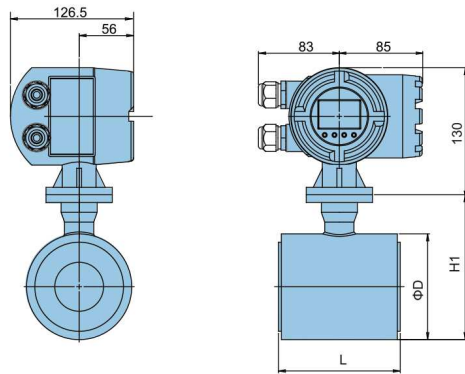
MF720 Converter



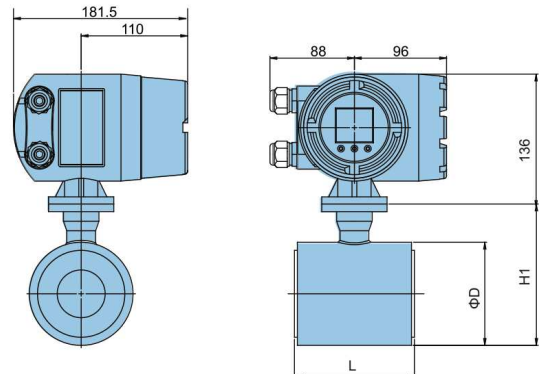
JA Series with MF730 Converter (Remote Type) Dimension (mm)

KF700-JA Series External Dimensions For Compact and Remote Type

DN (mm)	L	D	H1
25	90	72	112
32	90	82	122
40	90	92	132
50	125	108	148
65	125	128	168
80	130	142	182
100	160	162	202
125	170	192	232
150	185	219	259



JA Series with MF710 Converter Dimension (mm)



JA Series with MF720 Converter Dimension (mm)

KF700 - JA SERIES ORDERING INFORMATION												
Example Series	KF700-JA	-A1	-25	-1	-1	-L	-3	-2	-1	-A1	-1	Wafer Type Electromagnetic Flowmeter
Converter Type	KF700-JA	A1										Compact Type with MF710 Converter
		A2										Compact Type with MF720 Converter
		B3										Remote Type with MF730 Converter
Pipe Size			25									DN25, 0.5m ³ /h - 10m ³ /h
			32									DN32, 0.8m ³ /h - 16m ³ /h
			40									DN40, 1.2m ³ /h - 25m ³ /h
			50									DN50, 2m ³ /h - 40m ³ /h
			65									DN65, 3.5m ³ /h - 60m ³ /h
			80									DN80, 5m ³ /h - 100m ³ /h
			100									DN100, 8m ³ /h - 160m ³ /h
			125									DN125, 12m ³ /h - 250m ³ /h
			150									DN150, 18m ³ /h - 400m ³ /h
Flange Standard				1								DIN (Standard)
				2								ANSI
				3								JIS
Body Material					1							304 Stainless Steel
					2							316 Stainless Steel
Electrode Material						L						316L Stainless Steel
						C						Hastelloy Hc
						B						Hastelloy Hb
						T						Titanium (Ti)
						P						Platinum (Pt)
						A						Tantalum (Ta)
Liner Material							1					PTFE
							2					F46
							3					PFA
							6					Ceramic
Enclosure Rating								1				IP65
								2				IP67
								3				IP68 (Remote Type)
Output Signal									1			4-20mA + Pulse
									2			4-20mA + Pulse + RS485
									3			4-20mA + Pulse + HART (MF720, MF730)
Power Supply										A1		85-265V AC 50Hz
										A2		85-265V AC 60Hz
										B		18-36V DC
Grounding Type											1	3 Electrodes (Suitable for plastic pipe)
											2	Grounding Ring