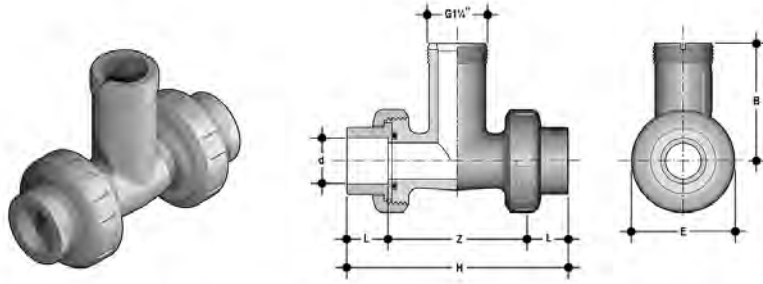


INSTALLATION FITTINGS
**FOR FLOW SENSORS
AND ANALYTICAL ELECTRODES**



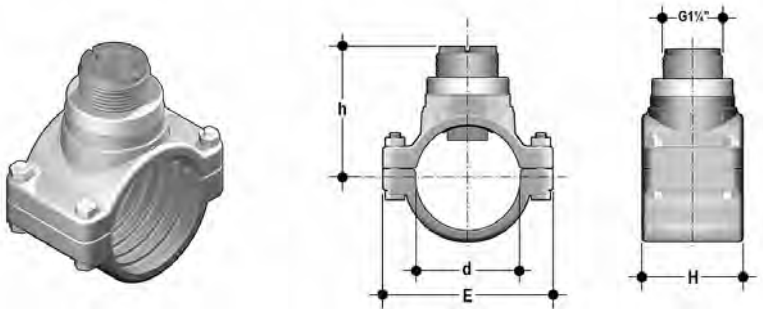
STANDARD INSERTION INSTALLATION

INSTALLATION ON PVC PIPES



ISO Metric PVC Tee Fittings (female ends for solvent welding - PN10)

Part No.	DN/ Size	d/R	O-ring	Body	H	Z	L	B	E	Flow Sensor Length	Suitable for (*)
TFIV20B	15	20	EPDM	U-PVC	113	81	16	73	53	L0	F & A
TFIV25B	20	25	EPDM	U-PVC	126	88	19	8	62	L0	F & A
TFIV32B	25	32	EPDM	U-PVC	139.5	95.5	22	81	71	L0	F & A
TFIV40B	32	40	EPDM	U-PVC	170	118	26	84	84	L0	F & A
TFIV50B	40	50	EPDM	U-PVC	199	137	31	82.5	98	L0	F & A
TFIV20D	15	20	FPM	U-PVC	113	81	16	73	53	L0	F & A
TFIV25D	20	25	FPM	U-PVC	126	88	19	8	62	L0	F & A
TFIV32D	25	32	FPM	U-PVC	139.5	95.5	22	81	71	L0	F & A
TFIV40D	32	40	FPM	U-PVC	170	118	26	84	84	L0	F & A
TFIV50D	40	50	FPM	U-PVC	199	137	31	82.5	98	L0	F & A



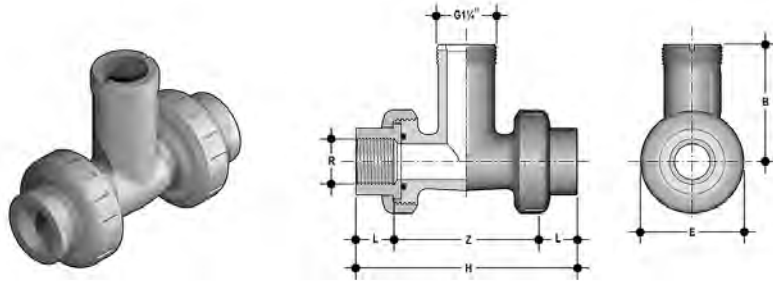
ISO Metric Clamp Saddles (PN10 excluding SMIC serie)

Part No.	DN/ Size	d/R	O-ring	Body	Insert	H	E	h	Drilling Hole	Flow Sensor Length	Suitable for (*)
SVIC063BVC	50	63	EPDM	U-PVC	C-PVC	105	116	86.7	35	L0	F & A
SVIC075BVC	65	75	EPDM	U-PVC	C-PVC	105	134	90.8	35	L0	F & A
SVIC090BVC	80	90	EPDM	U-PVC	C-PVC	105	152	95.9	40	L0	F & A
SVIC110BVC	100	110	EPDM	U-PVC	C-PVC	105	176	102.8	40	L0	F & A
SVIC125BVC	110	125	EPDM	U-PVC	C-PVC	112	190	137.9	40	L1	F
SVIC140BVC	125	140	EPDM	U-PVC	C-PVC	114	214	143.1	40	L1	F
SVIC160BVC	150	160	EPDM	U-PVC	C-PVC	120	238	149.9	40	L1	F
SVIC200BVC	180	200	EPDM	U-PVC	C-PVC	133	300	163.7	40	L1	F
SVIC225BVC	200	225	EPDM	U-PVC	C-PVC	125	333	172.3	40	L1	F
SVIC063DVC	50	63	FPM	U-PVC	C-PVC	105	116	86.7	35	L0	F & A
SVIC075DVC	65	75	FPM	U-PVC	C-PVC	105	134	90.8	35	L0	F & A
SVIC090DVC	80	90	FPM	U-PVC	C-PVC	105	152	95.9	40	L0	F & A
SVIC110DVC	100	110	FPM	U-PVC	C-PVC	105	176	102.8	40	L0	F & A
SMIC250IVC*	225	250	EPDM	PP	U-PVC	79	324	203.5	40	L0	F
SMIC280IVC*	250	280	EPDM	PP	U-PVC	88	385	212.2	40	L1	F
SMIC315IVC*	280	315	EPDM	PP	U-PVC	88	385	220.1	40	L1	F

* For IP68 sensors or compact monitors only (PMA 4bar)

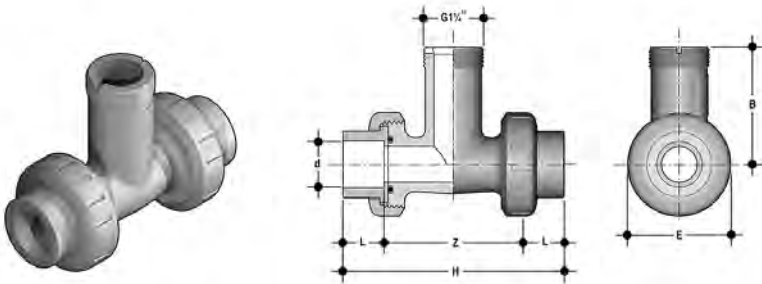
(*) Suitable for: F= Flow sensors; A= Analytical electrodes

INSTALLATION ON PVC PIPES



BSP Female Threaded PVC Tee Fittings (parallel threaded female ends - PN10)

Part No.	DN/Size	d/R	O-ring	Body	H	Z	L	B	E	Flow Sensor Length	Suitable for (*)
TFFV20B	15	1/2"	EPDM	U-PVC	118.5	88.5	15	73	53	L0	F & A
TFFV25B	20	3/4"	EPDM	U-PVC	127.5	94.9	16.3	80	62	L0	F & A
TFFV32B	25	1"	EPDM	U-PVC	146	107.8	19.1	81	71	L0	F & A
TFFV40B	32	1 1/4"	EPDM	U-PVC	177	134.2	21.4	84	84	L0	F & A
TFFV50B	40	1 1/2"	EPDM	U-PVC	191	148.2	21.4	82.5	98	L0	F & A
TFFV20D	15	1/2"	FPM	U-PVC	118.5	88.5	15	73	53	L0	F & A
TFFV25D	20	3/4"	FPM	U-PVC	127.5	94.9	16.3	80	62	L0	F & A
TFFV32D	25	1"	FPM	U-PVC	146	107.8	19.1	81	71	L0	F & A
TFFV40D	32	1 1/4"	FPM	U-PVC	177	134.2	21.4	84	84	L0	F & A
TFFV50D	40	1 1/2"	FPM	U-PVC	191	148.2	21.4	82.5	98	L0	F & A

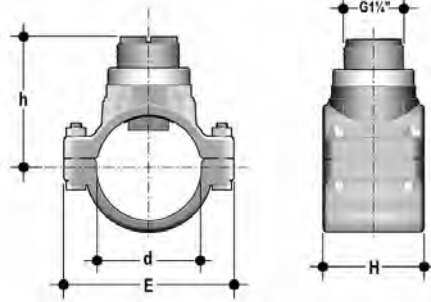


BS Solvent Welding PVC Tee Fittings (female ends for solvent welding - PN10)

Part No.	DN/Size	d/R	O-ring	Body	H	Z	L	B	E	Flow Sensor Length	Suitable for (*)
TFLV20B	15	1/2"	EPDM	U-PVC	113	80	16.5	73	53	L0	F & A
TFLV25B	20	3/4"	EPDM	U-PVC	126	88	19	80	62	L0	F & A
TFLV32B	25	1"	EPDM	U-PVC	139.5	94.5	22.5	81	71	L0	F & A
TFLV40B	32	1 1/4"	EPDM	U-PVC	17	118	26	84	84	L0	F & A
TFLV50B	40	1 1/2"	EPDM	U-PVC	199	139	30	82.5	98	L0	F & A
TFLV20D	15	1/2"	FPM	U-PVC	113	80	16.5	73	53	L0	F & A
TFLV25D	20	3/4"	FPM	U-PVC	126	88	19	80	62	L0	F & A
TFLV32D	25	1"	FPM	U-PVC	139.5	94.5	22.5	81	71	L0	F & A
TFLV40D	32	1 1/4"	FPM	U-PVC	17	118	26	84	84	L0	F & A
TFLV50D	40	1 1/2"	FPM	U-PVC	199	139	30	82.5	98	L0	F & A

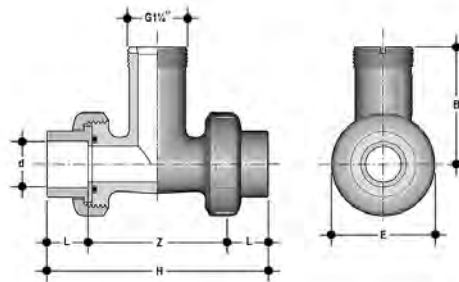
(*) Suitable for: F= Flow sensors; A= Analytical electrodes

INSTALLATION ON PVC PIPES



BS Clamp Saddles (PN10)

Part No.	DN/ Size	d/R	O-ring	Body	Insert	H	E	h	Drilling Hole	Flow Sensor Length	Suitable for (*)
SVLC2.0BVM	50	2"	EPDM	U-PVC	C-PVC	105	116	85.3	35	L0	F & A
SVLC3.0BVM	80	3"	EPDM	U-PVC	C-PVC	105	152	95.0	40	L0	F & A
SVLC4.0BVM	100	4"	EPDM	U-PVC	C-PVC	105	176	103.5	40	L0	F & A
SVLC6.0BVM	150	6"	EPDM	U-PVC	C-PVC	120	238	151.7	40	L1	F
SVLC8.0BVM	200	8"	EPDM	U-PVC	C-PVC	125	333	169.8	40	L1	F
SVLC2.0DVM	50	2"	FPM	U-PVC	C-PVC	105	116	85.3	35	L0	F & A
SVLC3.0DVM	80	3"	FPM	U-PVC	C-PVC	105	152	95.0	40	L0	F & A
SVLC4.0DVM	100	4"	FPM	U-PVC	C-PVC	105	176	103.5	40	L0	F & A

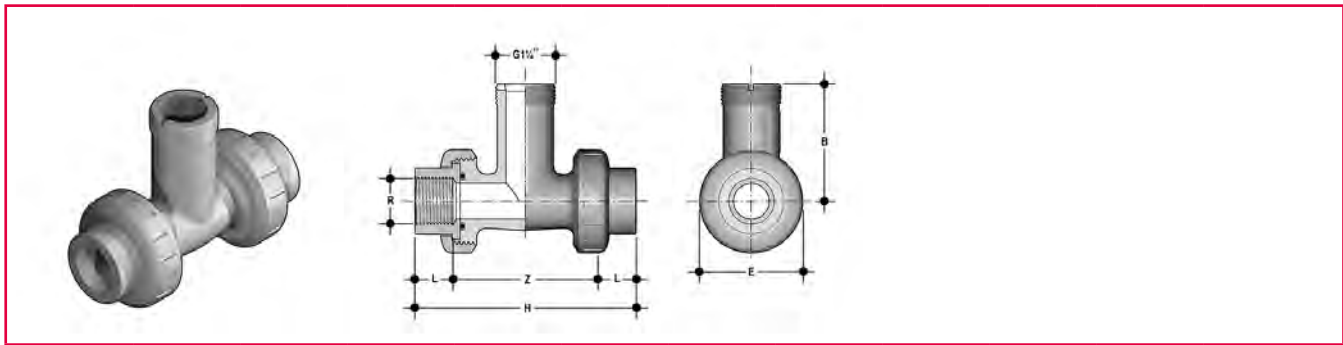


ASTM SCH. 80 PVC Tee Fittings (female ends for solvent welding - PN10)

Part No.	DN/ Size	d/R	O-ring	Body	H	Z	L	B	E	Flow Sensor Length	Suitable for (*)
TFAV20B	15	1/2"	EPDM	U-PVC	4.92"	3.15"	0.89"	2.87"	2.09"	L0	F & A
TFAV25B	20	3/4"	EPDM	U-PVC	5.51"	3.50"	1.00"	3.15"	2.44"	L0	F & A
TFAV32B	25	1"	EPDM	U-PVC	6.04"	3.78"	1.13"	3.19"	2.80"	L0	F & A
TFAV40B	32	1 1/4"	EPDM	U-PVC	7.34"	4.80"	1.26"	3.31"	3.31"	L0	F & A
TFAV50B	40	1 1/2"	EPDM	U-PVC	8.15"	5.39"	1.38"	3.25"	3.86"	L0	F & A
TFAV20D	15	1/2"	FPM	U-PVC	4.92"	3.15"	0.89"	2.87"	2.09"	L0	F & A
TFAV25D	20	3/4"	FPM	U-PVC	5.51"	3.50"	1.00"	3.15"	2.44"	L0	F & A
TFAV32D	25	1"	FPM	U-PVC	6.04"	3.78"	1.13"	3.19"	2.80"	L0	F & A
TFAV40D	32	1 1/4"	FPM	U-PVC	7.34"	4.80"	1.26"	3.31"	3.31"	L0	F & A
TFAV50D	40	1 1/2"	FPM	U-PVC	8.15"	5.39"	1.38"	3.25"	3.86"	L0	F & A

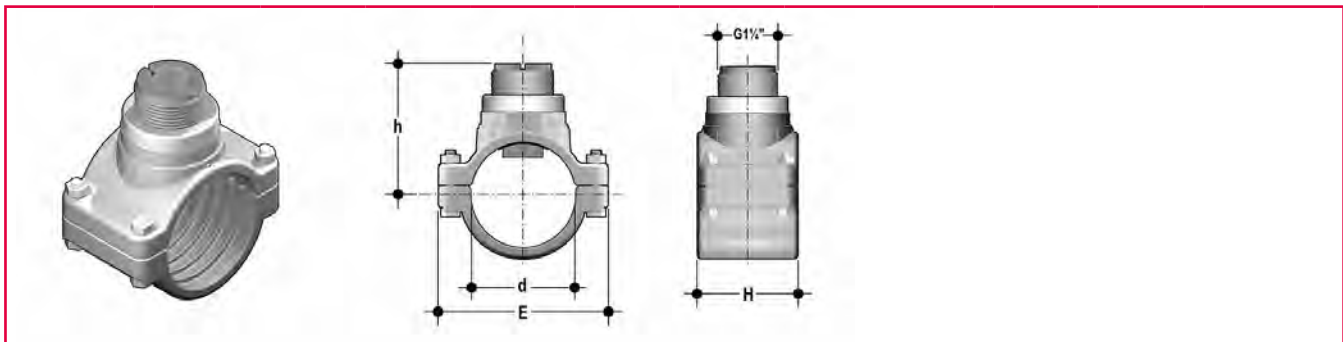
(*) Suitable for: F= Flow sensors; A= Analytical electrodes

INSTALLATION ON PVC PIPES



NPT Female Threaded PVC Tee Fittings (NPT threaded female ends - PN10)

Part No.	DN/Size	d/R	O-ring	Body	H	Z	L	B	E	Flow Sensor Length	Suitable for (*)
TFNV20B	15	1/2"	EPDM	U-PVC	4.67"	3.26"	0.70"	2.87"	2.09"	L0	F & A
TFNV25B	20	3/4"	EPDM	U-PVC	5.02"	3.60"	0.71"	3.15"	2.44"	L0	F & A
TFNV32B	25	1"	EPDM	U-PVC	5.75"	3.97"	0.89"	3.19"	2.80"	L0	F & A
TFNV40B	32	1 1/4"	EPDM	U-PVC	6.97"	5.12"	0.93"	3.31"	3.31"	L0	F & A
TFNV50B	40	1 1/2"	EPDM	U-PVC	7.52"	5.28"	1.12"	3.25"	3.86"	L0	F & A
TFNV20D	15	1/2"	FPM	U-PVC	4.67"	3.26"	0.70"	2.87"	2.09"	L0	F & A
TFNV25D	20	3/4"	FPM	U-PVC	5.02"	3.60"	0.71"	3.15"	2.44"	L0	F & A
TFNV32D	25	1"	FPM	U-PVC	5.75"	3.97"	0.89"	3.19"	2.80"	L0	F & A
TFNV40D	32	1 1/4"	FPM	U-PVC	6.97"	5.12"	0.93"	3.31"	3.31"	L0	F & A
TFNV50D	40	1 1/2"	FPM	U-PVC	7.52"	5.28"	1.12"	3.25"	3.86"	L0	F & A

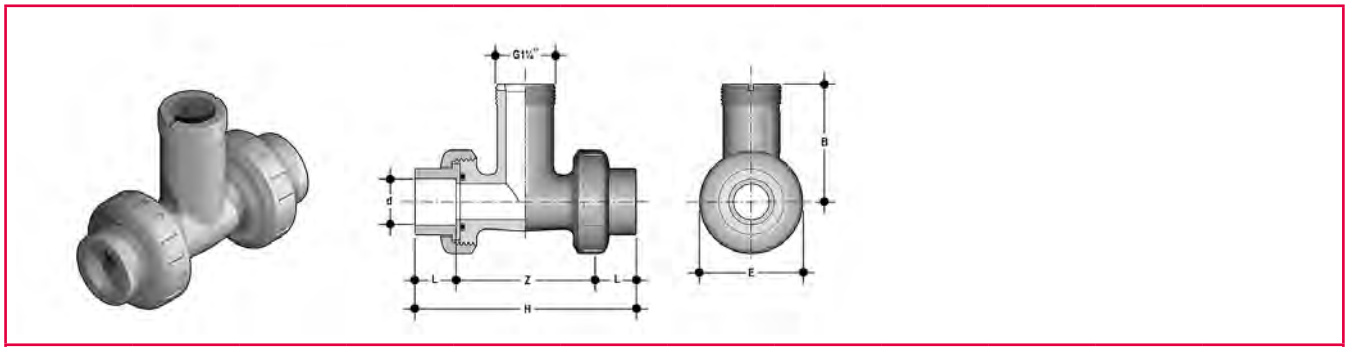


ASTM Clamp Saddles (PN10)

Part No.	DN/Size	d/R	O-ring	Body	Insert	H	E	h	Drilling Hole	Flow Sensor Length	Suitable for (*)
SVAC2.0BVM	50	2"	EPDM	U-PVC	C-PVC	4.13"	4.57"	3.3"	1.38"	L0	F & A
SVAC2.5BVM	65	2 1/2"	EPDM	U-PVC	C-PVC	4.13"	5.28"	3.4"	1.38"	L0	F & A
SVAC3.0BVM	80	3"	EPDM	U-PVC	C-PVC	4.13"	5.98"	3.6"	1.57"	L0	F & A
SVAC4.0BVM	100	4"	EPDM	U-PVC	C-PVC	4.13"	6.93"	4.0"	1.57"	L0	F & A
SVAC5.0BVM	125	5"	EPDM	U-PVC	C-PVC	4.49"	8.43"	5.6"	1.57"	L1	F
SVAC6.0BVM	150	6"	EPDM	U-PVC	C-PVC	4.72"	9.37"	5.9"	1.57"	L1	F
SVAC8.0BVM	200	8"	EPDM	U-PVC	C-PVC	4.92"	13.11"	6.6"	1.57"	L1	F
SVAC2.0DVM	50	2"	FPM	U-PVC	C-PVC	4.13"	4.57"	3.3"	1.38"	L0	F & A
SVAC2.5DVM	65	2 1/2"	FPM	U-PVC	C-PVC	4.13"	5.28"	3.4"	1.38"	L0	F & A
SVAC3.0DVM	80	3"	FPM	U-PVC	C-PVC	4.13"	5.98"	3.6"	1.57"	L0	F & A
SVAC4.0DVM	100	4"	FPM	U-PVC	C-PVC	4.13"	6.93"	4.0"	1.57"	L0	F & A

(*) Suitable for: F= Flow sensors; A= Analytical electrodes

INSTALLATION ON C-PVC PIPES

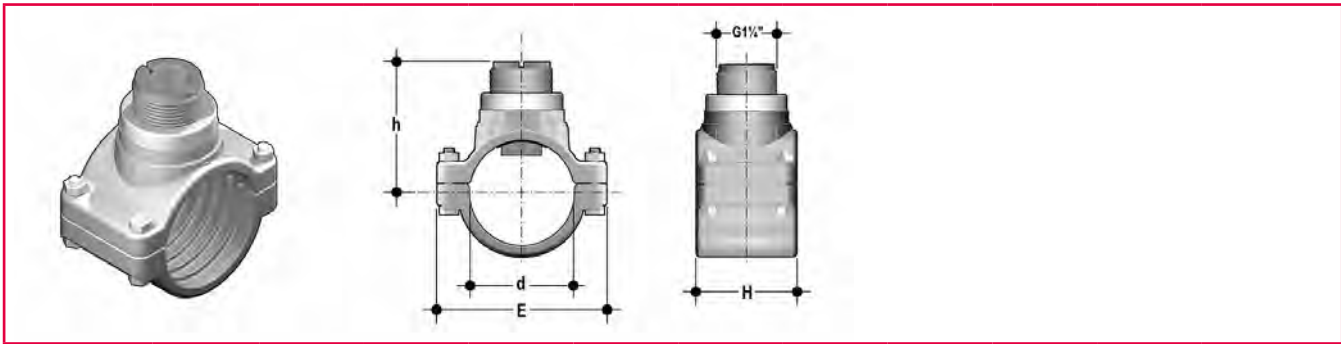


ISO Metric PVDF Tee Fittings (C-PVC end connectors for solvent welding - PN10)

Part No.	DN/ Size	d/R	O-ring	Body	H	Z	L	B	E	Flow Sensor Length	Suitable for (*)
TFIF20BC	15	20	EPDM	PVDF	112	80	16	73	53	L0	F & A
TFIF25BC	20	25	EPDM	PVDF	125	87	19	77	64	L0	F & A
TFIF32BC	25	32	EPDM	PVDF	139	95	22	81	72	L0	F & A
TFIF40BC	32	40	EPDM	PVDF	167	115	26	84	84	L0	F & A
TFIF50BC	40	50	EPDM	PVDF	196	134	31	82.5	97	L0	F & A
TFIF20DC	15	20	FPM	PVDF	112	80	16	73	53	L0	F & A
TFIF25DC	20	25	FPM	PVDF	125	87	19	77	64	L0	F & A
TFIF32DC	25	32	FPM	PVDF	139	95	22	81	72	L0	F & A
TFIF40DC	32	40	FPM	PVDF	167	115	26	84	84	L0	F & A
TFIF50DC	40	50	FPM	PVDF	196	134	31	82.5	97	L0	F & A

(*) Suitable for: F= Flow sensors; A= Analytical electrodes

INSTALLATION ON C-PVC PIPES



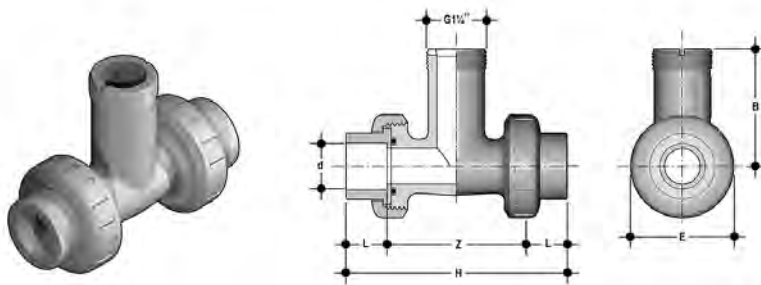
ISO Metric Clamp Saddles (PN10 excluding SMIC serie)

Part No.	DN/ Size	d/R	O-ring	Body	Insert	H	E	h	Drilling Hole	Flow Sensor Lenght	Suitable for (*)
SVIC063BVC	50	63	EPDM	U-PVC	C-PVC	105	116	86.7	35	L0	F & A
SVIC075BVC	65	75	EPDM	U-PVC	C-PVC	105	134	90.8	35	L0	F & A
SVIC090BVC	80	90	EPDM	U-PVC	C-PVC	105	152	95.9	40	L0	F & A
SVIC110BVC	100	110	EPDM	U-PVC	C-PVC	105	176	102.8	40	L0	F & A
SVIC125BVC	110	125	EPDM	U-PVC	C-PVC	112	190	137.9	40	L1	F
SVIC140BVC	125	140	EPDM	U-PVC	C-PVC	114	214	143.1	40	L1	F
SVIC160BVC	150	160	EPDM	U-PVC	C-PVC	120	238	149.9	40	L1	F
SVIC200BVC	180	200	EPDM	U-PVC	C-PVC	133	300	163.7	40	L1	F
SVIC225BVC	200	225	EPDM	U-PVC	C-PVC	125	333	172.3	40	L1	F
SVIC063DVC	50	63	FPM	U-PVC	C-PVC	105	116	86.7	35	L0	F & A
SVIC075DVC	65	75	FPM	U-PVC	C-PVC	105	134	90.8	35	L0	F & A
SVIC090DVC	80	90	FPM	U-PVC	C-PVC	105	152	95.9	40	L0	F & A
SVIC110DVC	100	110	FPM	U-PVC	C-PVC	105	176	102.8	40	L0	F & A
SMIC250IVC*	225	250	EPDM	PP	U-PVC	79	324	203.5	40	L0	F
SMIC280IVC*	250	280	EPDM	PP	U-PVC	88	385	212.2	40	L1	F
SMIC315IVC*	280	315	EPDM	PP	U-PVC	88	385	220.1	40	L1	F

* For IP68 sensors or compact monitors only (PMA 4bar)

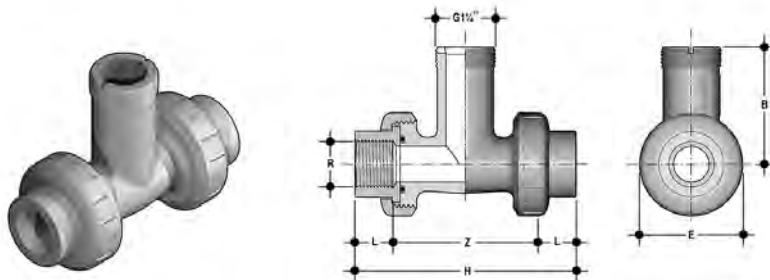
(*) Suitable for: F= Flow sensors; A= Analytical electrodes

INSTALLATION ON PP PIPES



ISO Metric PP Tee Fittings (female ends for socket welding - PN10)

Part No.	DN/ Size	d/R	O-ring	Body	H	Z	L	B	E	Flow Sensor Length	Suitable for (*)
TFIM20B	15	20	EPDM	PP	111	73	14.5	73	53	L0	F & A
TFIM25B	20	25	EPDM	PP	120.5	80	16	80	62	L0	F & A
TFIM32B	25	32	EPDM	PP	133.5	81	18	81	71	L0	F & A
TFIM40B	32	40	EPDM	PP	163.5	84	20.5	84	84	L0	F & A
TFIM50B	40	50	EPDM	PP	195	82.5	23.5	82.5	98	L0	F & A
TFIM20D	15	20	FPM	PP	111	73	14.5	73	53	L0	F & A
TFIM25D	20	25	FPM	PP	120.5	80	16	80	62	L0	F & A
TFIM32D	25	32	FPM	PP	133.5	81	18	81	71	L0	F & A
TFIM40D	32	40	FPM	PP	163.5	84	20.5	84	84	L0	F & A
TFIM50D	40	50	FPM	PP	195	82.5	23.5	82.5	98	L0	F & A

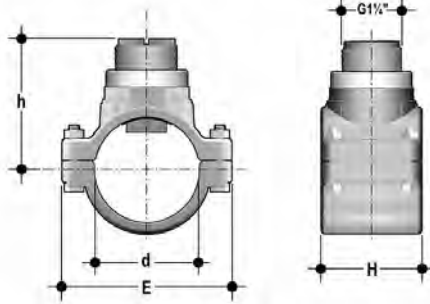


BSP Female Threaded PP Tee Fittings (parallel threaded female ends - PN10)

Part No.	DN/ Size	d/R	O-ring	Body	H	Z	L	B	E	Flow Sensor Length	Suitable for (*)
TFFM20B	15	1/2"	EPDM	PP	113	83	15	73	53	L0	F & A
TFFM25B	20	3/4"	EPDM	PP	126	93.4	16.3	80	62	L0	F & A
TFFM32B	25	1"	EPDM	PP	139.5	101.3	19.1	81	71	L0	F & A
TFFM40B	32	1 1/4"	EPDM	PP	17	127.2	21.4	84	84	L0	F & A
TFFM50B	40	1 1/2"	EPDM	PP	199	156.2	21.4	82.5	98	L0	F & A
TFFM20D	15	1/2"	FPM	PP	113	83	15	73	53	L0	F & A
TFFM25D	20	3/4"	FPM	PP	126	93.4	16.3	80	62	L0	F & A
TFFM32D	25	1"	FPM	PP	139.5	101.3	19.1	81	71	L0	F & A
TFFM40D	32	1 1/4"	FPM	PP	17	127.2	21.4	84	84	L0	F & A
TFFM50D	40	1 1/2"	FPM	PP	199	156.2	21.4	82.5	98	L0	F & A

(*) Suitable for: F= Flow sensors; A= Analytical electrodes

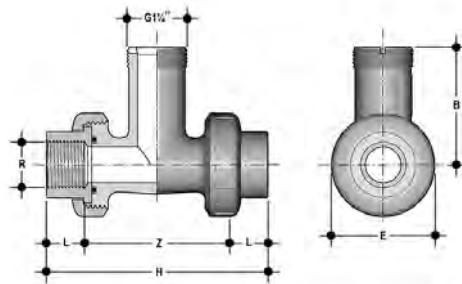
INSTALLATION ON PP PIPES



ISO metric Clamp Saddles (PN10 excluding SMIC serie)

Part No.	DN/ Size	d/R	O-ring	Body	Insert	H	E	h	Drilling Hole	Flow Sensor Length	Suitable for (*)
SVIC063BME	50	63	EPDM	U-PVC	C-PVC **	105	116	84.3	35	L0	F & A
SVIC075BME	65	75	EPDM	U-PVC	C-PVC **	105	134	88.	35	L0	F & A
SVIC090BME	80	90	EPDM	U-PVC	C-PVC **	105	152	92.6	4	L0	F & A
SVIC110BME	100	110	EPDM	U-PVC	C-PVC **	105	176	98.8	40	L0	F & A
SVIC125BME	110	125	EPDM	U-PVC	C-PVC **	112	190	133.3	40	L1	F
SVIC140BME	125	140	EPDM	U-PVC	C-PVC **	114	214	138.0	40	L1	F
SVIC160BME	150	160	EPDM	U-PVC	C-PVC **	120	238	144.1	40	L1	F
SVIC200BME	180	200	EPDM	U-PVC	C-PVC **	133	300	156.4	40	L1	F
SVIC225BME	200	225	EPDM	U-PVC	C-PVC **	125	333	164.1	40	L1	F
SVIC063DME	50	63	FPM	U-PVC	C-PVC **	105	116	84.3	35	L0	F & A
SVIC075DME	65	75	FPM	U-PVC	C-PVC **	105	134	88.	35	L0	F & A
SVIC090DME	80	90	FPM	U-PVC	C-PVC **	105	152	92.6	4	L0	F & A
SVIC110DME	100	110	FPM	U-PVC	C-PVC **	105	176	98.8	40	L0	F & A
SMIC250IME*	225	250	EPDM	PP	U-PVC **	79	324	189.9	40	L0	F
SMIC280IME*	250	280	EPDM	PP	U-PVC **	88	385	200.2	40	L1	F
SMIC315IME*	300	315	EPDM	PP	U-PVC **	88	385	209.3	40	L1	F

* For IP68 sensors or compact monitors only (PMA 4bar) ** PVDF insert available on request

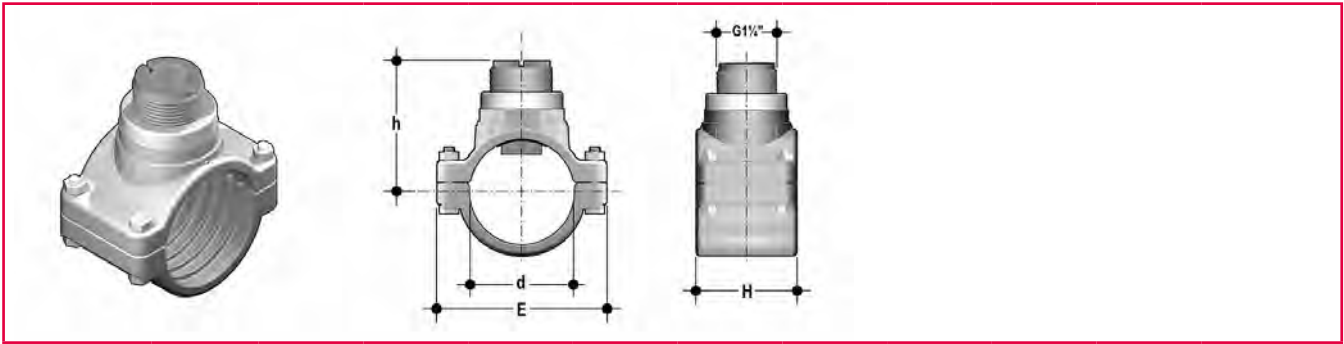


NPT Female Threaded PP Tee Fittings (NPT threaded female ends - PN10)

Part No.	DN/ Size	d/R	O-ring	Body	H	Z	L	B	E	Flow Sensor Length	Suitable for (*)
TFNM20B	15	1/2"	EPDM	PP	4.45"	3.05"	0.70"	2.87"	2.09"	L0	F & A
TFNM25B	20	3/4"	EPDM	PP	4.96"	3.54"	0.71"	3.15"	2.44"	L0	F & A
TFNM32B	25	1"	EPDM	PP	5.49"	3.71"	0.89"	3.19"	2.80"	L0	F & A
TFNM40B	32	1 1/4"	EPDM	PP	6.69"	4.84"	0.93"	3.31"	3.31"	L0	F & A
TFNM50B	40	1 1/2"	EPDM	PP	7.83"	5.59"	1.12"	3.25"	3.86"	L0	F & A
TFNM20D	15	1/2"	FPM	PP	4.45"	3.05"	0.70"	2.87"	2.09"	L0	F & A
TFNM25D	20	3/4"	FPM	PP	4.96"	3.54"	0.71"	3.15"	2.44"	L0	F & A
TFNM32D	25	1"	FPM	PP	5.49"	3.71"	0.89"	3.19"	2.80"	L0	F & A
TFNM40D	32	1 1/4"	FPM	PP	6.69"	4.84"	0.93"	3.31"	3.31"	L0	F & A
TFNM50D	40	1 1/2"	FPM	PP	7.83"	5.59"	1.12"	3.25"	3.86"	L0	F & A

(*) Suitable for: F= Flow sensors; A= Analytical electrodes

INSTALLATION ON PP PIPES



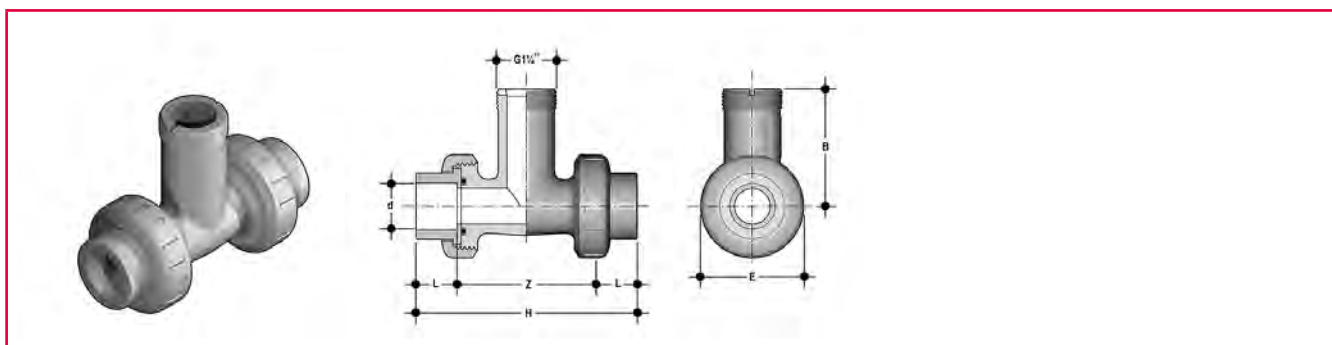
ASTM Clamp Saddles (PN10)

Part No.	DN/Size	d/R	O-ring	Body	Insert	H	E	h	Drilling Hole	Flow Sensor Length	Suitable for (*)
SVAC2.0BVM	50	2"	EPDM	U-PVC	C-PVC**	4.13"	4.57"	3.29"	1.38"	L0	F & A
SVAC2.5BVM	65	2 1/2"	EPDM	U-PVC	C-PVC**	4.13"	5.28"	3.43"	1.38"	L0	F & A
SVAC3.0BVM	80	3"	EPDM	U-PVC	C-PVC**	4.13"	5.98"	3.65"	1.57"	L0	F & A
SVAC4.0BVM	100	4"	EPDM	U-PVC	C-PVC**	4.13"	6.93"	4.00"	1.57"	L0	F & A
SVAC5.0BVM	125	5"	EPDM	U-PVC	C-PVC**	4.49"	8.43"	5.55"	1.57"	L1	F
SVAC6.0BVM	150	6"	EPDM	U-PVC	C-PVC**	4.72"	9.37"	5.91"	1.57"	L1	F
SVAC8.0BVM	200	8"	EPDM	U-PVC	C-PVC**	4.92"	13.11"	6.61"	1.57"	L1	F
SVAC2.0DVM	50	2"	FPM	U-PVC	C-PVC**	4.13"	4.57"	3.29"	1.38"	L0	F & A
SVAC2.5DVM	65	2 1/2"	FPM	U-PVC	C-PVC**	4.13"	5.28"	3.43"	1.38"	L0	F & A
SVAC3.0DVM	80	3"	FPM	U-PVC	C-PVC**	4.13"	5.98"	3.65"	1.57"	L0	F & A
SVAC4.0DVM	100	4"	FPM	U-PVC	C-PVC**	4.13"	6.93"	4.00"	1.57"	L0	F & A

** PVDF insert available on request

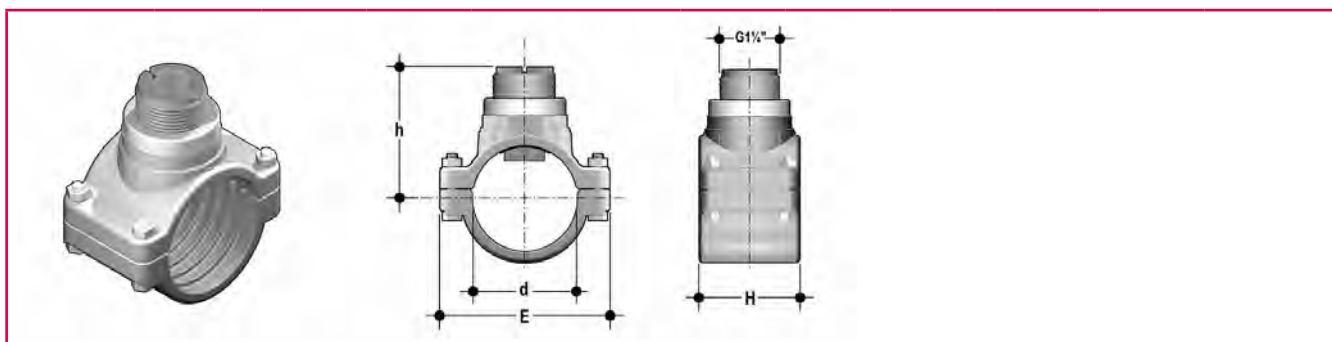
(*) Suitable for: F= Flow sensors; A= Analytical electrodes

INSTALLATION ON PVDF PIPES



ISO Metric PVDF Tee Fittings (female ends tor socket welding - PN10)

Part No.	DN/ Size	d/R	O-ring	Body	H	Z	L	B	E	Flow Sensor Length	Suitable for (*)
TFIF20B	15	20	EPDM	PVDF	111	80	14.5	73	53	L0	F & A
TFIF25B	20	25	EPDM	PVDF	120.5	87	16	80	62	L0	F & A
TFIF32B	25	32	EPDM	PVDF	133.5	95	18	81	71	L0	F & A
TFIF40B	32	40	EPDM	PVDF	161.5	115	20.5	84	84	L0	F & A
TFIF50B	40	50	EPDM	PVDF	193.5	134	23.5	82.5	98	L0	F & A
TFIF20D	15	20	FPM	PVDF	111	80	14.5	73	53	L0	F & A
TFIF25D	20	25	FPM	PVDF	120.5	87	16	80	62	L0	F & A
TFIF32D	25	32	FPM	PVDF	133.5	95	18	81	71	L0	F & A
TFIF40D	32	40	FPM	PVDF	161.5	115	20.5	84	84	L0	F & A
TFIF50D	40	50	FPM	PVDF	193.5	134	23.5	82.5	98	L0	F & A

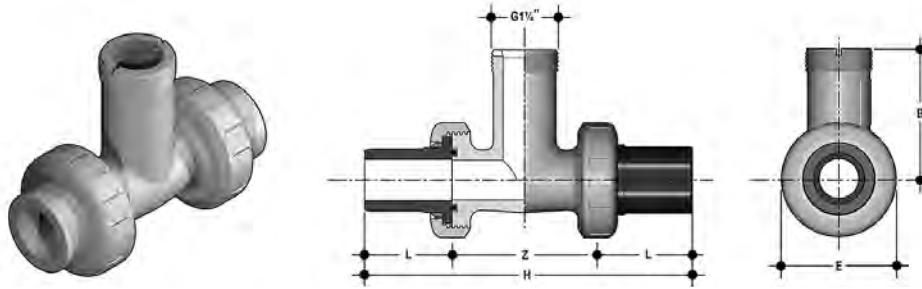


ISO Metric Clamp Saddles (PN10)

Part No.	DN/ Size	d/R	O-ring	Body	Insert	H	E	h	Drilling Hole	Flow Sensor Length	Suitable for (*)
SVIF063BF	50	63	EPDM	U-PVC	PVDF	105	116	87.2	35	L0	F & A
SVIF075BF	65	75	EPDM	U-PVC	PVDF	105	134	91.5	35	L0	F & A
SVIF090BF	80	90	EPDM	U-PVC	PVDF	105	152	96.8	40	L0	F & A
SVIF110BF	100	110	EPDM	U-PVC	PVDF	105	176	104.0	40	L0	F & A
SVIF063DF	50	63	FPM	U-PVC	PVDF	105	116	87.2	35	L0	F & A
SVIF075DF	65	75	FPM	U-PVC	PVDF	105	134	91.5	35	L0	F & A
SVIF090DF	80	90	FPM	U-PVC	PVDF	105	152	96.8	40	L0	F & A
SVIF110DF	100	110	FPM	U-PVC	PVDF	105	176	104.0	40	L0	F & A

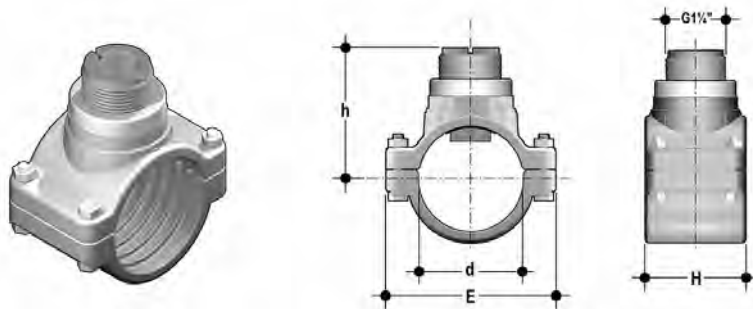
(*) Suitable for: F= Flow sensors; A= Analytical electrodes

INSTALLATION ON PE PIPES



ISO Metric PVC Tee Fittings (PE end connectors for electrofusion or butt welding - PN10)

Part No.	DN/Size	d/R	O-ring	Body	H	Z	L	B	E	Flow Sensor Length	Suitable for (*)
TFIV20BE	15	20	EPDM	U-PVC	183	73	55	73	53	L0	F & A
TFIV25BE	20	25	EPDM	U-PVC	223	83	70	80	62	L0	F & A
TFIV32BE	25	32	EPDM	U-PVC	237	89	74	81	71	L0	F & A
TFIV40BE	32	40	EPDM	U-PVC	266	110	78	84	84	L0	F & A
TFIV50BE	40	50	EPDM	U-PVC	295	127	84	82.5	98	L0	F & A
TFIV20DE	15	20	FPM	U-PVC	183	73	55	73	53	L0	F & A
TFIV25DE	20	25	FPM	U-PVC	223	83	70	80	62	L0	F & A
TFIV32DE	25	32	FPM	U-PVC	237	89	74	81	71	L0	F & A
TFIV40DE	32	40	FPM	U-PVC	266	110	78	84	84	L0	F & A
TFIV50DE	40	50	FPM	U-PVC	295	127	84	82.5	98	L0	F & A



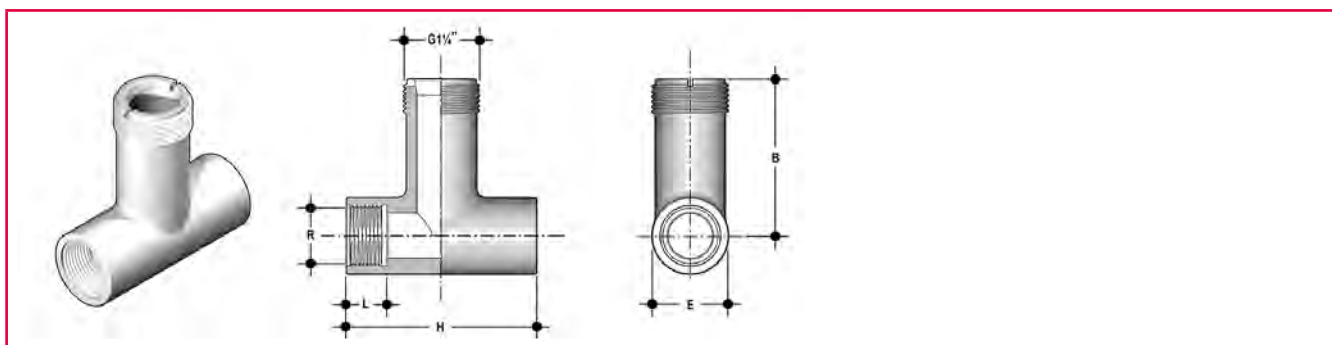
ISO Metric Clamp Saddles (PN10 excluding SMIC serie)

Part No.	DN/Size	d/R	O-ring	Body	Insert	H	E	h	Drilling Hole	Flow Sensor Length	Suitable for (*)
SVIC063BME	50	63	EPDM	U-PVC	C-PVC	105	116	84.3	35	L0	F & A
SVIC075BME	65	75	EPDM	U-PVC	C-PVC	105	134	88.	35	L0	F & A
SVIC090BME	80	90	EPDM	U-PVC	C-PVC	105	152	92.6	4	L0	F & A
SVIC110BME	100	110	EPDM	U-PVC	C-PVC	105	176	98.8	40	L0	F & A
SVIC125BME	110	125	EPDM	U-PVC	C-PVC	112	190	133.3	40	L1	F
SVIC140BME	125	140	EPDM	U-PVC	C-PVC	114	214	138.0	40	L1	F
SVIC160BME	150	160	EPDM	U-PVC	C-PVC	120	238	144.1	40	L1	F
SVIC200BME	180	200	EPDM	U-PVC	C-PVC	133	300	156.4	40	L1	F
SVIC225BME	200	225	EPDM	U-PVC	C-PVC	125	333	164.1	40	L1	F
SVIC063DME	50	63	FPM	U-PVC	C-PVC	105	116	84.3	35	L0	F & A
SVIC075DME	65	75	FPM	U-PVC	C-PVC	105	134	88.	35	L0	F & A
SVIC090DME	80	90	FPM	U-PVC	C-PVC	105	152	92.6	4	L0	F & A
SVIC110DME	100	110	FPM	U-PVC	C-PVC	105	176	98.8	40	L0	F & A
SMIC250IME*	225	250	EPDM	PP	U-PVC	79	324	189.9	40	L0	F
SMIC280IME*	250	280	EPDM	PP	U-PVC	88	385	200.2	40	L1	F
SMIC315IME*	300	315	EPDM	PP	U-PVC	88	385	209.3	40	L1	F

* For IP68 sensors or compact monitors only (PMA 4bar)

(*) Suitable for: F= Flow sensors; A= Analytical electrodes

INSTALLATION ON METAL PIPES



BSP Female Threaded 316 SS Tee Fittings (PN25)

Part No.	DN/Size	d/R	O-ring	Body	H	Z	L	B	E	Flow Sensor Length	Suitable for (*)
TFFX20	15	1/2"	-	316 SS	85	-	16	73	42	L0	F & A
TFFX25	20	3/4"	-	316 SS	95	-	20	81.2	42	L0	F & A
TFFX32	25	1"	-	316 SS	105	-	22.5	81.2	42	L0	F & A
TFFX40	32	1 1/4"	-	316 SS	12	-	20.5	83.8	54	L0	F & A



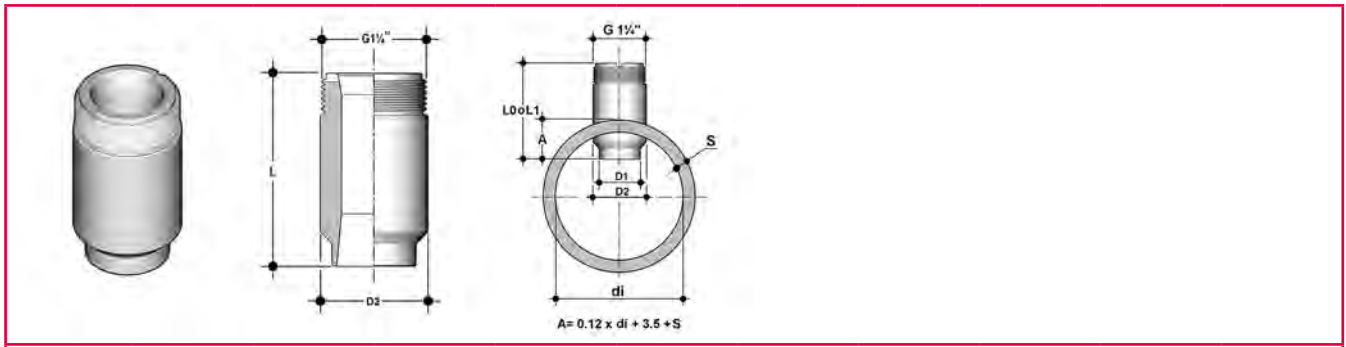
Strap-on Saddles (PN16)

Part No.	DN/Size	O.D. min.	O.D. max	Parallel Thread (GAS)	O-ring	Body	Insert	h	Drilling Hole	Flow Sensor Length	Suitable for (*)
SZIC080I*	80	88	104	1 1/4"	EPDM	Cast iron + SS	C-PVC	153	40	L0	F
SZIC100I*	100	112	126	1 1/4"	EPDM	Cast iron + SS	C-PVC	160	40	L0	F
SZIC125I*	125	140	154	1 1/4"	EPDM	Cast iron + SS	C-PVC	170	40	L0	F
SZIC150I*	150	168	184	1 1/4"	EPDM	Cast iron + SS	C-PVC	180	40	L0	F
SZIC200I*	200	218	234	1 1/4"	EPDM	Cast iron + SS	C-PVC	228	40	L1	F
SZIC250I*	250	272	286	1 1/4"	EPDM	Cast iron + SS	C-PVC	247	40	L1	F
SZIC300I*	300	322	344	1 1/4"	EPDM	Cast iron + SS	C-PVC	266	40	L1	F
SZIC350I*	350	356	384	1 1/4"	EPDM	Cast iron + SS	C-PVC	305	40	L1	F
SZIC400I*	400	425	458	1 1/4"	EPDM	Cast iron + SS	C-PVC	324	40	L1	F
SZIC450I*	450	475	516	1 1/4"	EPDM	Cast iron + SS	C-PVC	343	40	L1	F

(*) For IP68 sensors or compact monitors only

(*) Suitable for: F= Flow sensors; A= Analytical electrodes

INSTALLATION ON METAL PIPES

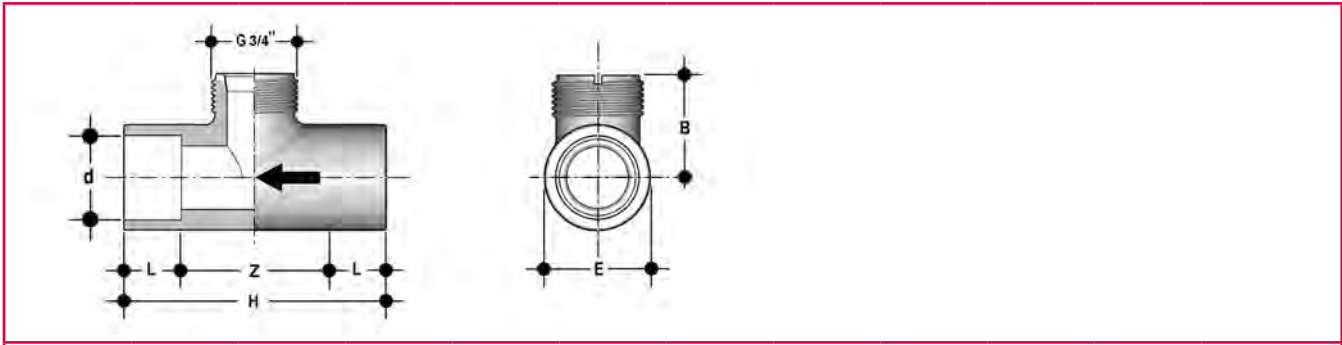


316L SS Weld on Adapters (PN25)

Part No.	DN/Size	d/R	Parallel Thread (GAS)	Body	L	D1	D2	Drilling Hole	Flow Sensor Length	Suitable for (*)
WAIXL0	40	-	1 1/4"	316L SS	68.5	33,9	34	34	L0	F & A
WAIXL0	50	-	1 1/4"	316L SS	68.5	33,9	44	44	L0	F & A
WAIXL0	60	-	1 1/4"	316L SS	68.5	33,9	44	44	L0	F & A
WAIXL0	65	-	1 1/4"	316L SS	68.5	33,9	44	44	L0	F & A
WAIXL0	80	-	1 1/4"	316L SS	68.5	33,9	44	44	L0	F & A
WAIXL0	100	-	1 1/4"	316L SS	68.5	33,9	44	44	L0	F & A
WAIXL0	110	-	1 1/4"	316L SS	68.5	33,9	44	44	L0	F & A
WAIXL0	125	-	1 1/4"	316L SS	68.5	33,9	44	44	L0	F
WAIXL0	150	-	1 1/4"	316L SS	68.5	33,9	44	44	L0	F
WAIXL0	175	-	1 1/4"	316L SS	68.5	33,9	44	44	L0	F
WAIXL0	200	-	1 1/4"	316L SS	68.5	33,9	44	44	L0	F
WAIXL1	225	-	1 1/4"	316L SS	98.5	33,9	44	44	L1	F
WAIXL1	250	-	1 1/4"	316L SS	98.5	33,9	44	44	L1	F
WAIXL1	300	-	1 1/4"	316L SS	98.5	33,9	44	44	L1	F
WAIXL1	350	-	1 1/4"	316L SS	98.5	33,9	44	44	L1	F
WAIXL1	400	-	1 1/4"	316L SS	98.5	33,9	44	44	L1	F
WAIXL1	450	-	1 1/4"	316L SS	98.5	33,9	44	44	L1	F
WAIXL1	500	-	1 1/4"	316L SS	98.5	33,9	44	44	L1	F
WAIXL1	600	-	1 1/4"	316L SS	98.5	33,9	44	44	L1	F

(*) Suitable for: F= Flow sensors; A= Analytical electrodes

INSTALLATION FITTINGS FOR FLS F3.10

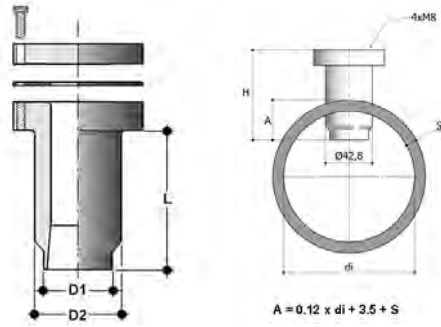


ISO Metric PVC Tee Fittings (female ends for solvent welding - PN10)

Part No.	DN/ Size	d/R	O-ring	Body	H	Z	L	B	E	Flow Sensor Lenght	Suitable for (*)
TMIV20MF	15	20	-	U-PVC	43	11	16	27	27	-	F
TMIV25MF	20	25	-	U-PVC	52	14	19	30	33	-	F
TMIV32MF	25	32	-	U-PVC	61,5	17,5	22	33,5	41	-	F
TMIV40MF	32	40	-	U-PVC	74	22	26	38	50	-	F
TMIV50MF	40	50	-	U-PVC	89	27	31	43	61	-	F

(*) Suitable for: F= Flow sensors; A= Analytical electrodes

INSTALLATION FITTINGS FOR FLS F3.20



316L SS Weld-on Adapters

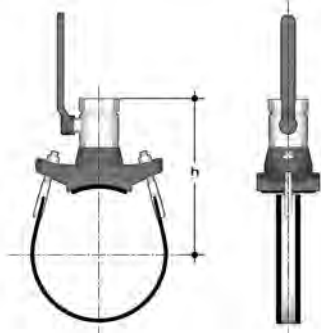
Part No.	DN/Size	d/R	Parallel Thread (GAS)	Body	L	D1	D2	Drilling Hole	Flow Sensor Length	Suitable for (*)
WAIXHP	40	-	1 1/4"	316L SS	68,5	34	42,8	34	-	F
WAIXHP	50	-	1 1/4"	316L SS	68,5	34	42,8	43	-	F
WAIXHP	60	-	1 1/4"	316L SS	68,5	34	42,8	43	-	F
WAIXHP	65	-	1 1/4"	316L SS	68,5	34	42,8	43	-	F
WAIXHP	80	-	1 1/4"	316L SS	68,5	34	42,8	43	-	F
WAIXHP	100	-	1 1/4"	316L SS	68,5	34	42,8	43	-	F
WAIXHP	110	-	1 1/4"	316L SS	68,5	34	42,8	43	-	F
WAIXHP	125	-	1 1/4"	316L SS	68,5	34	42,8	43	-	F
WAIXHP	150	-	1 1/4"	316L SS	68,5	34	42,8	43	-	F
WAIXHP	175	-	1 1/4"	316L SS	68,5	34	42,8	43	-	F
WAIXHP	200	-	1 1/4"	316L SS	68,5	34	42,8	43	-	F

(*) Suitable for: F= Flow sensors; A= Analytical electrodes



HOT TAP INSERTION INSTALLATION

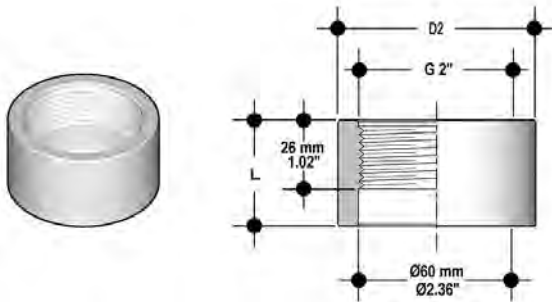
INSTALLATION ON METAL AND PLASTIC PIPES



Strap-on Saddles (PN16) ***

Part No.	DN/Size	O.D. min.	O.D. max	Parallel Thread (GAS)	O-ring	Body	Insert	h	Drilling Hole	Flow Sensor Length	Suitable for (*)
SZIC080IHT	80	88	104	2.00"	EPDM	Cast iron + SS	-	160	min 32	-	F
SZIC100IHT	100	112	126	2.00"	EPDM	Cast iron + SS	-	170	min 32	-	F
SZIC125IHT	125	140	154	2.00"	EPDM	Cast iron + SS	-	172	min 32	-	F
SZIC150IHT	150	168	184	2.00"	EPDM	Cast iron + SS	-	172	min 32	-	F
SZIC200IHT	200	218	234	2.00"	EPDM	Cast iron + SS	-	177	min 32	-	F
SZIC250IHT	250	272	286	2.00"	EPDM	Cast iron + SS	-	175	min 32	-	F
SZIC300IHT	300	322	344	2.00"	EPDM	Cast iron + SS	-	178	min 32	-	F
SZIC350IHT	350	356	384	2.00"	EPDM	Cast iron + SS	-	178	min 32	-	F
SZIC400IHT	400	425	458	2.00"	EPDM	Cast iron + SS	-	171	min 32	-	F
SZIC450IHT	450	475	516	2.00"	EPDM	Cast iron + SS	-	180	min 32	-	F

*** Bigger sizes available on request



316L SS Weld-on Adapters


Part No.	DN/Size	d/R	Parallel Thread (GAS)	Body	L	D1	D2	Drilling Hole	Flow Sensor Length	Suitable for (*)
WAIXHT	350	-	2.00"	316L SS	40	-	75	min 32	-	F
WAIXHT	400	-	2.00"	316L SS	40	-	75	min 32	-	F
WAIXHT	450	-	2.00"	316L SS	40	-	75	min 32	-	F
WAIXHT	500	-	2.00"	316L SS	40	-	75	min 32	-	F
WAIXHT	600	-	2.00"	316L SS	40	-	75	min 32	-	F
WAIXHT	700	-	2.00"	316L SS	40	-	75	min 32	-	F
WAIXHT	800	-	2.00"	316L SS	40	-	75	min 32	-	F
WAIXHT	900	-	2.00"	316L SS	40	-	75	min 32	-	F

(*) Suitable for: F= Flow sensors; A= Analytical electrodes





SPECIFIC ADAPTERS FOR ANALYTICAL ELECTRODES INSTALLATION



ADAPTERS FOR IN-LINE, SUBMERSIBLE AND WET-TAP INSTALLATION

In-line					
	Part No.	Body	Description	Suitable for	Weight (gr.)
	EG12SS	SS	1/2" male Electrode Gland	C300	300
	TCONIV32E	U-PVC	T fitting d32 DN25 (including NBR o-ring)	C150-200	500
	TCONIV40E	U-PVC	T fitting d40 DN32 (including NBR o-ring)	C150-200	550
	TCONIV50E	U-PVC	T fitting d50 DN40 (including NBR o-ring)	C150-200	600
	TCONIC32E	C-PVC	T fitting d32 DN25 (including NBR o-ring)	C150-200	500
	TCONIC40E	C-PVC	T fitting d40 DN32 (including NBR o-ring)	C150-200	550
	TCONIC50E	C-PVC	T fitting d50 DN40 (including NBR o-ring)	C150-200	600
	TPHIV32E	U-PVC	T fitting d32 DN25 (including NBR o-ring)	PH/ORP.200 (excluded PH223CD; ORP223CD)	500
	TPHIV40E	U-PVC	T fitting d40 DN32 (including NBR o-ring)	PH/ORP.200 (excluded PH223CD; ORP223CD)	550
	TPHIV50E	U-PVC	T fitting d50 DN40 (including NBR o-ring)	PH/ORP.200 (excluded PH223CD; ORP223CD)	600
	TPHIC32E	C-PVC	T fitting d32 DN25 (including NBR o-ring)	PH/ORP.200 (excluded PH223CD; ORP223CD)	500
	TPHIC40E	C-PVC	T fitting d40 DN32 (including NBR o-ring)	PH/ORP.200 (excluded PH223CD; ORP223CD)	550
	TPHIC50E	C-PVC	T fitting d50 DN40 (including NBR o-ring)	PH/ORP.200 (excluded PH223CD; ORP223CD)	600
	TPHIC32C	C-PVC	T fitting d32 DN25	PH660-ORP660	500
	TPHIC40C	C-PVC	T fitting d40 DN32	PH660-ORP660	550
	TPHIC50C	C-PVC	T fitting d50 DN40	PH660-ORP660	600
	EG66P	C-PVC	3/4" male Electrode Gland	PH660-ORP660	45
	MK660	C-PVC	Installation KIT (adapter + yellow cap) for FLS fittings up to DN100 (4") (including FPM o-ring)	PH660-ORP660	165
	MK150200	C-PVC	Installation KIT (EG50P, adapter, yellow cap) for FLS fittings up to DN100 (4") (including NBR and FPM o-ring)	C150.1 TC	
	GEG135SE	PP	gland electrode for PG13.5 electrode with electrode head protection 1 1/4" G.M.	PH435CD	500
	F3.SP.2.4	U-PVC	Yellow Electrode Cap for FLS fittings up to DN100 (4")	PH223CD; ORP223CD	60

ADAPTERS FOR IN-LINE, SUBMERSIBLE AND WET-TAP INSTALLATION

In-line / Submersible					
	Part No.	Body	Description	Suitable for	Weight (gr.)
	GEG135	PVCU	gland electrode for PG13.5 electrode or o 12mm body 1/2" G.M. (including FPM o-rings)	PH-ORP.400	70
	EG50P	PP	1/2" male Electrode Gland (including NBR o-ring)	PH-ORP.200 (excluded PH223CD; ORP223CD), C150-200, T970278; T970196	45
	EG75P	PP	3/4" male Electrode Gland (including NBR o-ring)	PH-ORP.200 (excluded PH223CD; ORP223CD), C150-200, T970278; T970196	45
	EG135FS	PVDF/FPM	short gland electrode for PG13.5 electrode 1/2" (including FPM o-ring)	PH435CD	40
	EG135FL	PVDF/FPM	long gland electrode for PG13.5 electrode 1/2" (including FPM o-ring)	PH435CD	65

Submersible					
	Part No.	Body	Description	Suitable for	Weight (gr.)
	MIFV20X05	PVCU	Double socket 20*1/2" (pipe customer supplied)	PH200C-ORP200C, PH222CDTC (with EG50P), PH222CD-ORP222CD (with CN653), (GEG135), PH650-ORP650 (with CN653), C150-200 (with EG50P)	30
	MIMC20X05	C-PVC	Double socket 20*1/2" (pipe customer supplied)	PH200C-ORP200C, PH222CDTC (with EG50P), PH222CD-ORP222CD (with CN653), PH650-ORP650 (with CN653), C150-200 (with EG50P)	30

Hot tap or horizontal					
	Part No.	Body	Description	Suitable for	Weight (gr.)
	WT675	C-PVC	Electrode gland for hot tap installation: max insertion 300mm (12") (including FPM o-ring)	PH655-ORP655	700
	WT675 TC1	C-PVC,SS	Electrode gland for hot tap installation with TC: max insertion 300mm (12") (including FPM o-ring)	PH655-ORP655	880



SPARE PARTS AND ACCESSORIES
**FOR MONITORS, FLOW SENSORS
AND ANALYTICAL ELECTRODES**



SPARE PARTS

MONITOR SPARE PARTS

Spare Parts for monitors			
Part No.	Name	Description	Weight (gr.)
M9.SP4.1	PG 11	PG 11 complete cable gland (2 o-rings and cap)	12
M9.LN1	Locking nut	Plastic locking nut for M9.02, M9.20 and M9.00	24
M9.SN1	Fixing snails	2 plastic fixing snails for panel installation of all FLS Monitors (except for M9.02, M9.20 and M9.00)	16
M9.SP7	Replacement battery	3,6 V Lithium Thionyl Chloride battery (only for M9.20)	60

FLOW SENSORS SPARE PARTS

Spare Parts for F3.00			
Part No.	Name	Description	Weight (gr.)
F3.SP1	4 pole Cable Plug	Cable Plug according to DIN 43650	30
F3.SP2.1	Sensor Cap	Black Sensor Cap, for Hall version	42
F3.SP2.2	Sensor Cap	Red Sensor Cap, for Coil version	42
F3.SP2.4	Sensor Cap	Yellow Sensor Cap, for push-pull version	42
F3.SP2.6	Sensor Cap	SS 316L Sensor Cap, for SS 316L Hall and Coil versions	205
F3.SP3.1	O-Rings	EPDM Sensor body O-rings	4
F3.SP3.2	O-Rings	FPM Sensor body O-rings	4
F3.SP4.2	Rotor KIT	ECTFE (Halar®) rotor with Machined Ceramic Shaft and Bearings	8
F3.SP4.3	Rotor KIT	ECTFE (Halar®) rotor with SS 316L Shaft	8
F3.SP5.1	Sensor Plug	C-PVC Sensor Plug	140
F3.SP5.2	Sensor Plug	PVDF Sensor Plug	150
F3.SP5.3	Sensor Plug	SS 316L Sensor Plug	470
F3.SP6	Electrical cable	Cable (per meter), 22AWG, 3 cond.	28

Spare Parts for F3.20			
Part No.	Name	Description	Weight (gr.)
F3.SP4.3	Rotor KIT	ECTFE (Halar) rotor with SS 316L shaft	8
F3.SP8	Seal and screws kit	SS 316L screws + graphite gasket	70

Spare Parts for F6.30			
Part No.	Name	Description	Weight (gr.)
F6.KC1	Compact mounting kit	Plastic adapter with compact cap and locking nut	137
M9.SP4.1	PG 11	PG 11 complete cable gland (2 o-rings and cap)	12
F3.SP3.1	O-Rings	EPDM Sensor body O-Rings	4
F3.SP3.2	O-Rings	FPM Sensor body O-Rings	4
F6.30.SP1.S	Electronic device	Electronic device with 4-20 mA output and freq./volumetric pulse output for paddlewheel flow sensor	180
M9.KUSB	USB Cable	USB cable dedicated to FLS products, 1,5 meter long	60

Spare Parts for F3.10			
Part No.	Name	Description	Weight (gr.)
F3.SP2.7	Sensor Cap	Gray Sensor Cap	10
F3.SP3.3	O-Rings	EPDM Sensor body O-rings	2
F3.SP3.4	O-Rings	FPM Sensor body O-rings	2
F3.SP11	Rotor KIT	PVC rotor with 316L SS Shaft	2

FLOW SENSORS SPARE PARTS

Spare Parts for F3.05			
Part No.	Name	Description	Weight (gr.)
F3.SP1	4 pole Cable Plug	Cable Plug according to DIN 43650	30
F3.SP2.1	Sensor Cap	Black Sensor Cap for Hall version	42
F3.SP3.1	O-Rings	EPDM Sensor body O-rings	4
F3.SP3.2	O-Rings	FPM Sensor body O-rings	4
F3.SP4.2	Rotor KIT	ECTFE (Halar®) rotor with Machined Ceramic Shaft and Bearings	8
F3.SP5.1	Sensor Plug	C-PVC Sensor Plug	140
F3.SP5.2	Sensor Plug	PVDF Sensor Plug	150
F3.SP5.3	Sensor Plug	SS 316L Sensor Plug	470




Spare Parts for F6.60			
Part No.	Name	Description	Weight (gr.)
F6.KC1	Compact mounting kit	Plastic adapter with compact cap and locking nut	137
M9.SP4.1	PG 11	PG 11 complete cable gland (2 o-rings and cap)	12
F3.SP3.1	O-Rings	EPDM Sensor body O-Rings	4
F3.SP3.2	O-Rings	FPM Sensor body O-Rings	4
M9.KUSB	USB Cable	USB cable dedicated to FLS products, 1,5 meter long	60

Spare Parts for F6.61			
Part No.	Name	Description	Weight (gr.)
F6.KC1	Magmeter Compact mounting kit	Plastic adapter with compact cap and locking nut	137
M9.SP4.1	PG 11	PG 11 complete cable gland (2 o-rings and cap)	12
F1.SP3	Isolation Valve	2" Brass Ball Valve	1800
F1.SP6	2" to 1 1/4" Reduction	Zinc Plated Steel 2" BS male to 1 1/4" BS female	405
F1.SP7	2" to 1 1/4" Reduction	Zinc Plated Steel 2" NPT male to 1 1/4" BS female reduction	405
M9.KUSB	USB Cable	USB cable dedicated to FLS products, 1,5 meter long	60









ACCESSORIES

MONITOR ACCESSORIES

Accessories for monitors				
	Part No.	Name	Description	Weight (gr.)
	F6.KC1	Compact mounting kit	Plastic adapter with compact cap and locking nut (for M9.02, M9.20 and M9.00 only)	137
	M9.KW1	Wall mounting kit	144X144mm plastic box for wall installation of all panel mounting monitors	600
	M9.KW2	Wall mounting kit with power supply	144X144mm plastic box for wall installation of all panel mounting monitors and 110/230VAC to 24 VDC power supply included	900
	M9.KUSB	USB Cable	USB cable dedicated to FLS products, 1,5 meter long	60

ANALYTICAL ELECTRODES ACCESSORIES

Accessories for pH/ORP electrodes				
	Part No.	Name	Description	Weight (gr.)
	CN653	5m Universal cable assembly	Cable for PH222 CD, PH223 CD, ORP222 CD, ORP223 CD, PH-ORP.600	300
	CN65310M	10m Universal cable assembly	Cable for PH222 CD, PH223 CD, ORP222 CD, ORP223 CD, PH-ORP.600	400
	CN65315M	15m Universal cable assembly	Cable for PH222 CD, PH223 CD, ORP222 CD, ORP223 CD, PH-ORP.600	500
	CN653TC1	5m Submersible cable assembly with Temperature compensation (PT 100)	Cable for PH650CD, PH650CD HF, PH650CD DA, PH650CD LC	350
	CE5S7	5m Cable assembly	Cable for PH435 CD	300
	CE10S7	10m Cable assembly	Cable for PH435 CD	400
	CE15S7	15m Cable assembly	Cable for PH435 CD	500
	B104	pH buffer	Buffer pH 4,01	450
	B107	pH buffer	Buffer pH 7,00	450
	B110	pH buffer	Buffer pH 10,00	450
	B3KCL	pH buffer	3KCl solution	500
	B475	ORP buffer	Buffer 475mV	450

Accessories for Conductivity Sensors				
	Part No.	Name	Description	Weight (gr.)
	T970278	5m PT100 Temperature Epoxy body Sensor	2 wire PT100 Temperature Sensor with epoxy body	200
	T970196	5m PT100 Temperature Epoxy body Sensor	2 wire PT100 Temperature Sensor with epoxy body (no metal in contact)	200
	B0018	Conductivity buffer	Calibration solution for low conductivity (18 microsiemens/cm)	450
	B1417	Conductivity buffer	Calibration solution for conductivity (1417 microsiemens/cm)	450