

KF700P Series . . . Plastic (PBT) Electromagnetic Flowmeter

Specifications

Accuracy : With the range $\pm 0.5\%$

Flow Velocity Range : 0.3m/s - 10 m/s

Pipe Size : DN25 to DN100

Body / Liner Material : PBT (Polybutylene terephthalate)

Electrode Material : 316L SS, optional Hastelloy Hc

Medium Conductivity : $>20\mu\text{S/cm}$

Temperature Rating : $-25^{\circ}\text{C} - 100^{\circ}\text{C}$

Pressure Rating : PN10

Enclosure Rating : IP67

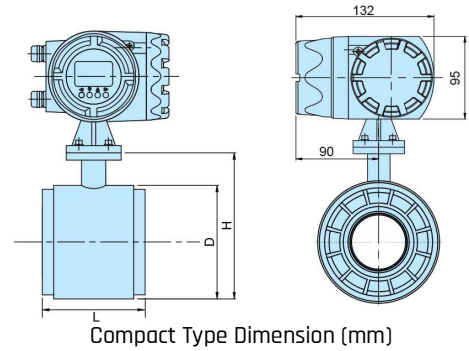
Power Supply : 85-265VAC or 18-36VDC

Output Signal : 4-20 mA, Pulse, RS485

Process Connection : Wafer (DIN Standard)



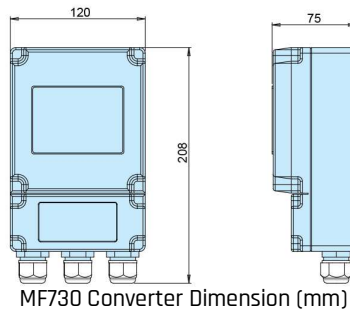
MF710 Converter



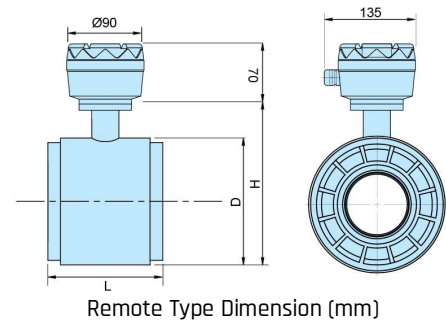
Compact Type Dimension (mm)



MF730 Converter



MF730 Converter Dimension (mm)



Remote Type Dimension (mm)

KF700P SERIES ORDERING INFORMATION

Example	KF700P	-A1	-25	-L	-Wafer	-2	-A1	
Series	KF700P							Plastic (PBT) Electromagnetic Flowmeter
Converter Type		A1						Compact Type with MF710 Converter
		B3						Remote Type with MF730 Converter
Pipe Size			25					DN25, 0.5m ³ /h - 10m ³ /h : L x D x H = 68 x 72 x 113 mm, 4 - M12 x 138
			32					DN32, 0.8m ³ /h - 16m ³ /h : L x D x H = 80 x 82 x 123 mm, 4 - M16 x 150
			40					DN40, 1.2m ³ /h - 25m ³ /h : L x D x H = 90 x 93 x 134 mm, 4 - M16 x 175
			50					DN50, 2m ³ /h - 40m ³ /h : L x D x H = 95 x 108 x 148 mm, 4 - M16 x 184
			65					DN65, 3.5m ³ /h - 60m ³ /h : L x D x H = 102 x 124 x 164 mm, 4 - M16 x 191
			80					DN80, 5m ³ /h - 100m ³ /h : L x D x H = 110 x 138 x 178 mm, 8 - M16 x 200
			100					DN100, 8m ³ /h - 160m ³ /h : L x D x H = 130 x 158 x 198 mm, 8 - M16 x 220
Electrode Material				L				316L Stainless Steel
Process Connection					Wafer			Wafer Type
Output Signal						2		4-20mA + Pulse + RS485
Power Supply							A1	85-265V AC 50Hz
							A2	85-265V AC 60Hz
							B	18-36V DC

