

FLOW SIGHT GLASS GAUGE

FW-1 – SINGLE WINDOW (Bilateral Flow ↔) **FW-2** – DOUBLE WINDOW (Bilateral Flow ↔)

FW-3 – FLANGE TYPE FOR BIG SIZE **FW-4** – DOUBLE WINDOW WITH HIGH PRESSURE

Technical Data

Service: For gases and liquid

Wetted Parts Material: Body- SS304, SS316, SS316L, and [Duplex stainless steel-UNS J92205 on request for FW-2 & 3 & 4]

Window- Tempered glass; Gasket- Teflon or Sigma 533

Impeller- (1) ABS plastic, (2) PVDF, (3) PPS+40% glass fiber

Temperature Limit: For impeller- (1) ABS plastic: 70°C (White), (2) PVDF: 100°C (Red or White), (3) PPS+40% glass fiber: 200°C (Dark Brown)

Pressure Limit: FW-1: 150 psig (10.34 bar)

FW-2: 125 psig (8.62 bar)

FW-3: Available for 15, 25 and 40 kg/cm² @25°C Water

FW-4: 80 kg/cm² @25°C Water

Connection: Threaded and Flange available

Size: (FW-1 & FW-2): ¼", ⅜", ½", ¾", 1", 1¼", 1½", 2"

Thread NPT or PF female; and Flange type available

(FW-3): 2" to 8" Flange type only

(FW-4): ½" & 1¼" Thread NPT female only

Approvals:

CE 2810



FW-1
(Single Window)

FW-2
(Double Window)



FW-3
(Flange, Double Window)

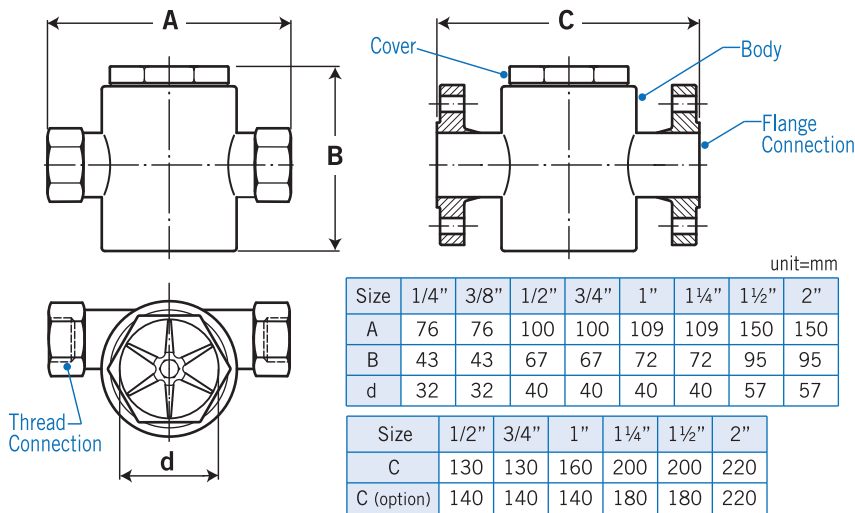


FW-4
(Double Window with High Pressure)

Dimension-mm

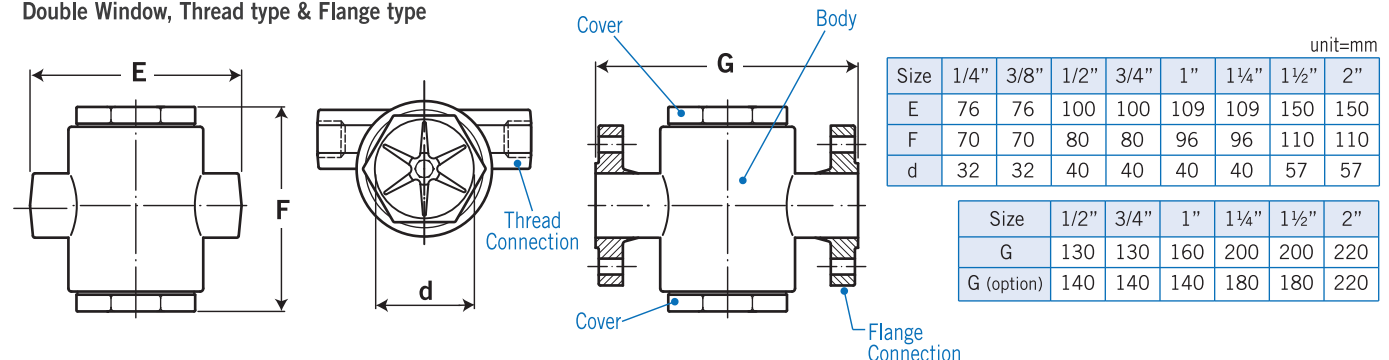
FW-1 Single Window, Thread type & Flange type

Body Material Code		S	S4	SL
Material	Body (Flange)	SS316	SS304	SS316L
	Cover	SS316	SS304	SS316



FW-2

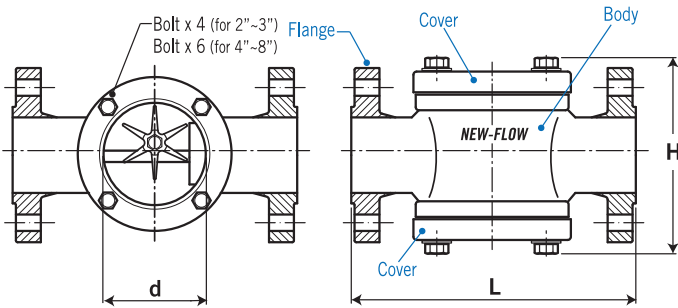
Double Window, Thread type & Flange type



Body Material Code		S	S4	SL	DS
Material	Body (Flange)	SS316	SS304	SS316L	Duplex S.S UNS J92205
	Cover	SS316	SS304	SS316	SS316

FW-3 Double Window, Flange type for big size

Body Material Code		S	S4	SL	DS
Material	Body (Flange)	SS316	SS304	SS316L	Duplex S.S UNS J92205
	Cover	SS316	SS304	SS316	SS316

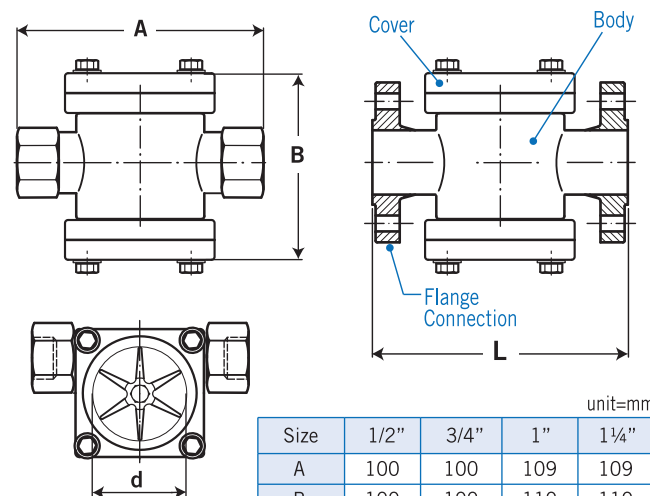


unit=mm

Size	2"	2½"	3"	4"	5"	6"	8"
d	65	84	84	109	148	170	222
H	146	164	183	212	247	276	345
L	220	270	270	320	380	420	500
L (option)	220	260	260	310	---	---	---
L (300LB)	---	---	---	---	---	---	---

FW-4 Double Window, with High Pressure

Body Material Code		S	S4	SL	DS
Material	Body (Flange)	SS316	SS304	SS316L	Duplex S.S UNS J92205
	Cover	SS316	SS304	SS316	SS316



unit=mm

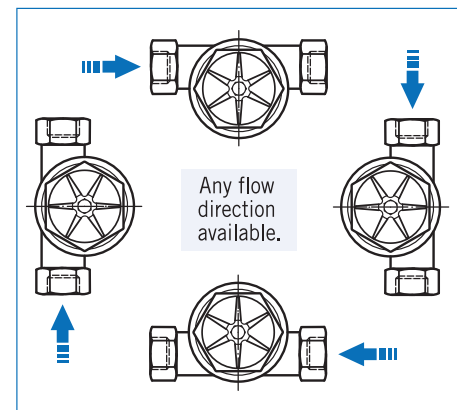
Size	1/2"	3/4"	1"	1¼"
A	100	100	109	109
B	100	100	110	110
d	43	43	43	43
L	130	130	160	200
L (option)	140	140	140	180

Optional for Impeller



NOTE. The temperature limit above-mentioned is only for the reference to the rotors. Please also considering the max. temperature of body in the operating.

Flow Direction



Ordering Information

FW	Code	Model	Code	Connection Size
	1	Single Window		(1) 1/4" (2) 3/8" (3) 1/2" (4) 3/4"
	2	Double Windows		(5) 1" (6) 1¼" (7) 1½" (8) 2"
	3	Double Windows, Flange type for big size		(code 9~15 for FW-3 only)
	4	Double Windows with High Pressure		(9) 2" (10) 2½" (11) 3" (12) 4"
	Code Type			(13) 5" (14) 6" (15) 8"
	T	Thread type	F	Flange type
	Code Body Material			Code Connection Rating
	S	SS316		(1) NPT Female (2) PF Female
	S4	SS304		(3) JIS 10K (4) ANSI 150#
	SL	SS316L		(5) option
	DS	Duplex S.S-UNS J92205 (only for FW-2, 3, 4)		Code CE Mark Request
	Code Gasket Material			3 Stamp
	T	Teflon	S	Sigma 533
	Code Indicator Type - Impeller (Color)			4 Without
	A	ABS, plastic (White)		
	B	PVDF (White)		
	C	PVDF (Red)		
	D	PPS+40% glass fiber (Dark Brown)		
FW			+	Complete Ordering Code