



NEW-FLOW

MANUFACTURE OF PISTON TYPE FLOW SWITCH
FS35R SERIES
AND CONTROL INSTRUMENTS

Instruction Manual



FS35R

TABLE OF CONTENTS

1.0~3.0	Description & Flow Rate	page 1
4.0~7.0	Wire Drawing & Operation	page 2



1.0 DESCRIPTION

Technical Data

Protection Class: IP65

Process Connection: ¼" to 1" female, thread PF and NPT available

Wetted Parts Material: Brass or Stainless Steel

Micro Switch: Rating 3A/250VAC, 5A/125VAC

Conduit Connection: DIN43 650 / EN 175301-803

Accuracy: ±5% of Full Scale

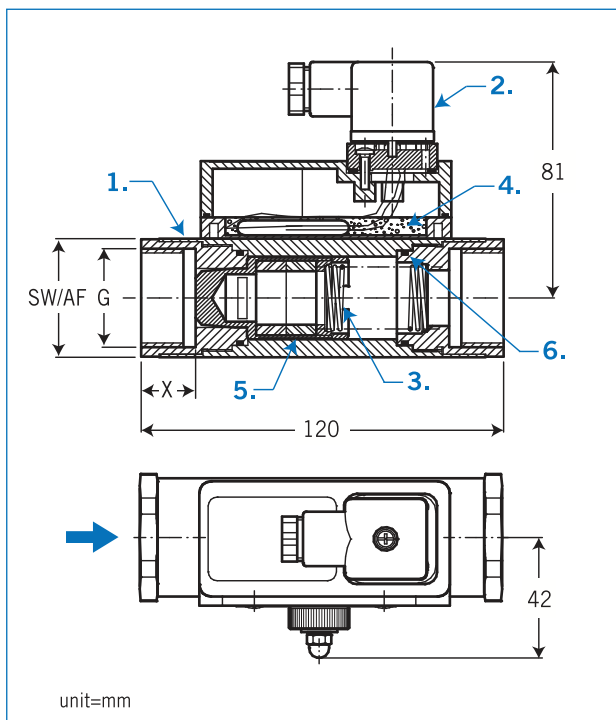
Temperature Limited: Max. 120°C

Pressure Limited: Average pressure loss 0.5 Bar at Qmax

Hysteresis: Depending on switch value from 15~20% F.S.

2.0 DIMENSIONS / PARTS LIST

Dimensions



Parts List

ITEM	PARTS NAME	FS35RB	FS35RS
1.	Body	Stainless Steel 316	Stainless Steel 316
2.	Conduit Connection	Polycarbonate	Polycarbonate
3.	Spring	Stainless Steel 316	Stainless Steel 316
4.	Magnet	Bariumferrite	Bariumferrite
5.	Piston	Brass	Stainless Steel 316L
6.	Seal	Viton	Viton

3.0 FLOW RATE TABLE

(W) Water:

Model	Size	PN	Qmax. Recom. (L/Min H ₂ O)	Adjustable Range (L/Min H ₂ O)			AF (mm)	X (mm)	Weight (KG)
FS35RB & FS35RS	¼"	200 bar	10	0.5~5	1~10		40	15	1.3
	¾"	200 bar	20	0.5~5	1~10	1.8~18	40	15	1.3
	½"	200 bar	40	1.6~16	2~20	3.5~35	40	15	1.2
	¾"	200 bar	60	2~20	4~40	6~60	40	18	1.2
	1"	200 bar	80	2~20	4~40	6~60	40	18	1.1

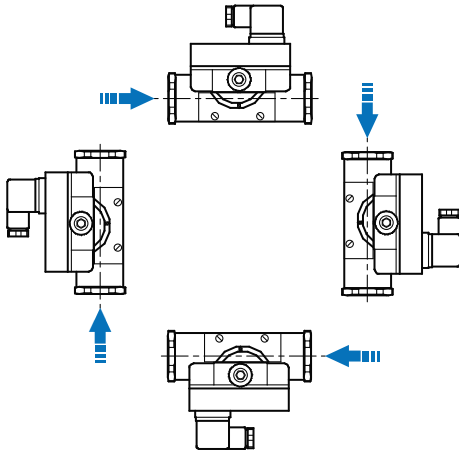
(O) Oil:

Model	Size	PN	Qmax. Recom. (L/Min H ₂ O)	Adjustable Range (L/Min)			AF (mm)	X (mm)	Weight (KG)
FS35RB & FS35RS	¼"	200 bar	10	0.5~5	0.8~8	1~10	40	15	1.3
	¾"	200 bar	20	1~10	1.5~15	2~20	40	15	1.3
	½"	200 bar	40	2~20	2.5~25	4~40	40	15	1.2
	¾"	200 bar	60	2.5~25	5~50	6~60	40	18	1.2
	1"	200 bar	80	2.5~25	5~50	6~60	40	18	1.1

NOTE.
Adjustable range is indicated for horizontally decreasing flow.

4.0 FLOW DIRECTION

Flow Direction



NOTE.

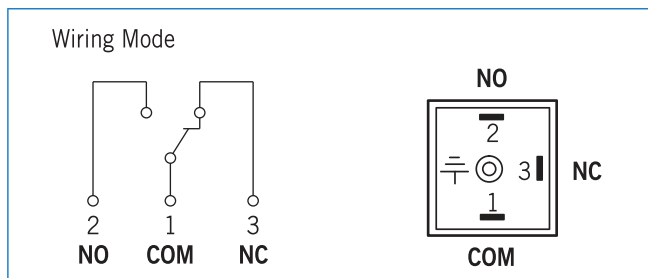
Installation position may influence switch value.

5.0 WIRE DRAWING

Wiring

Micro Switch: Rating 3A/250VAC, 5A/125VAC

Hysteresis: Depending on switch value from 15~20% F.S.



Wiring mode is in the DIN 43 650 / EN 175301-803 plug.

EN 175301-803

6.0 OPERATION NOTICE

Notice

1. Include straight length section of 5 x diameter of pipe line in inlet and outlet.
2. If the media are dirty, install a strainer (use magnetic strainer).
3. It must be ensured that the values given for voltage, current, and power are not exceeded.

7.0 ADJUSTMENT

Adjustment Flow Rate

If it is necessary to set the switching value, the switching head can be adjusted by adjustment with a pinion. When the switching value is reached, the switching unit is fixed in place by a fastening bolt.

