

FLOW SWITCH FS30R

FS30RB—BRASS
FS30RS—STAINLESS STEEL

Easy Installation
Wide Range Pipe Size Selections

Technical Data

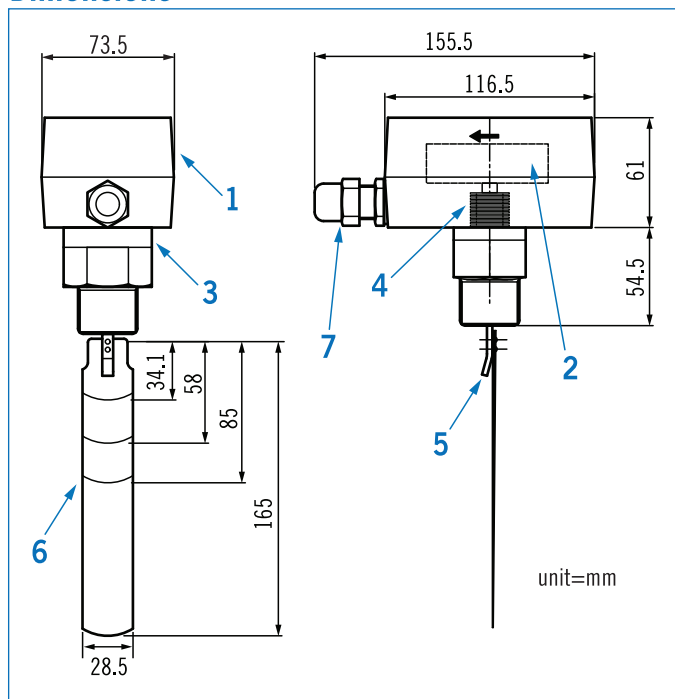
Protection class: IP65
Process Connection: 1" NPT male
Material: Housing: Plastic (Other wetted part: brass or stainless steel)
Application: Liquid
Installation: Easily mounted directly in a pipe
Pipe size range: 25~200 (1"~8"), large size is available
Microswitch: SPDT, 15A 125, 250V 480 VAC, ½A 125 VDC, ¼A 250 VDC
Conduit Connection: PG11, other thread available with adaptor
Temperature Limit: -30~+120°C
Pressure Limit: 15 kg/cm² — stainless steel; 10 kg/cm² — brass



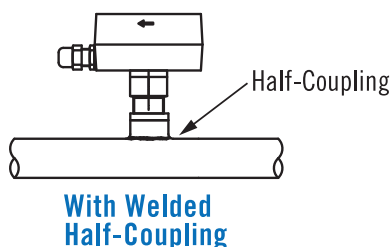
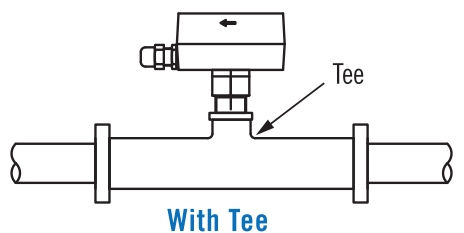
Flow Rate Table (For Acuate & Deactuate)

| Flow Rates Required to Actuate, Deactuate Litter per Hour (L/H) Water at 25°C | | | | |
|--|--------------|----------|-----------------|----------|
| Pipe Size | Actuate (on) | | Deactuate (OFF) | |
| | FS-30RB | FS-30RS | FS-30RB | FS-30RS |
| 1" | 23~40 | 26~45 | 14~35 | 16~39 |
| 1¼" | 38~64 | 42~70 | 22~64 | 24~71 |
| 1½" | 49~88 | 54~97 | 27~74 | 30~82 |
| 2" | 72~125 | 80~137 | 36~91 | 40~100 |
| 2½" | 92~160 | 100~176 | 44~140 | 48~154 |
| 3" | 114~198 | 125~218 | 46~173 | 51~190 |
| 4" | 151~279 | 166~307 | 75~243 | 82~267 |
| 5" | 223~436 | 245~480 | 111~349 | 122~384 |
| 6" | 300~629 | 330~690 | 150~466 | 165~512 |
| 8" | 770~1560 | 847~1715 | 643~1480 | 707~1620 |

Dimensions



Installation Instruction



Material List

| Item | | FS-30RB | FS-30RS |
|------|------------------|------------------|------------------|
| 1 | Housing | plastic | plastic |
| 2 | Switch mechanism | Microswitch unit | Microswitch unit |
| 3 | Connection | brass | SS316 |
| 4 | Bellows | brass | SS316 |
| 5 | Paddle guide | brass | SS316 |
| 6 | Paddle | SS301 | SS301 |
| 7 | Conduit | plastic | plastic |