

MF Series Converters

A



MF710 Series Intelligent Electromagnetic Flow Converters

Output:4-20mA,pulse/frequency output (active)
 Accuracy:±0.5%RS,±1%RS
 Power supply: 85~265VAC (50HZ or 60HZ) / 18~36VDC
 Measure direction: forward/reverse
 Environment condition:temp.-25°C-60°C,relative humidity 90%
 Display: 6 numbers of instantaneous delivery, 10 numbers of totalizer
 Computed mode: 4 keys
 Dimensions:132*132*95mm
 Installation:compact
 Protection class: IP65/IP67



MF720 Series Intelligent Electromagnetic Flow Converters

Output:4-20mA,pulse/frequency output (active)
 Accuracy:±0.2%RS,±0.5%RS,±1%RS
 Power supply:85~265VAC (50HZ or 60HZ) 18~36VDC
 Measure direction: forward/reverse
 Environment condition:temp.-25°C-60°C,relative humidity 90%
 Display: 6 numbers of instantaneous delivery, 10 numbers of totalizer
 Optional communication:RS485 or HART protocol
 Computed mode: 3 keys
 Dimensions:181.5*171*141mm
 Installation:compact
 Protection class: IP65/IP67/Explosion proof version



MF730 Series Intelligent Electromagnetic Flow Converters

Output:4-20mA,pulse/frequency output (active)
 Accuracy: ±0.5%RS,±1%RS
 Power supply:85~265VAC (50HZ or 60HZ) 18~36VDC
 Measure direction: forward/reverse
 Environment condition:temp.-25°C-60°C,relative humidity 90%
 Display: 6 numbers of instantaneous delivery, 10 numbers of totalizer
 Optional communication:RS485 or HART protocol
 Computed mode: 4 keys
 Dimensions:200*120*75mm
 Stand of 8M cables
 Protection class: IP65/IP67/Explosion proof version



MF760 Series Intelligent Electromagnetic Flow Converters

Output:pulse/frequency output (passive)
 Accuracy: ±1%RS
 Power supply: 85~265VAC (50HZ or 60HZ)
 Measure direction: forward/reverse
 Environment condition: temp.-25°C-60°C,relative humidity 90%
 Dimensions:140*220*140mm
 Installation:compact
 Protection class: IP65/IP67



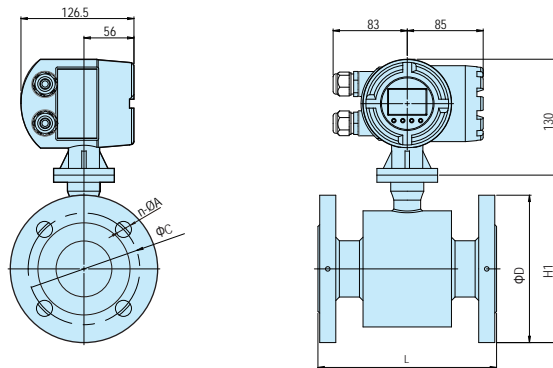
Performance Feature

Diameter: DN10-DN2000
Electrode: 316L,Hc,Ti,Ta,Pt
Liner:Rubber, polyurethane,PTFE,PFA,F46
Medium: conductivity liquids
Medium conductivity : $\geq 20\mu$ s/cm
Accuracy: $\pm 0.5\%$ RS- $\pm 1.0\%$ RS
Velocity of flow: 0.1m/s -10m/s
Working temperature:compact $\leq 100^{\circ}$ C,remote $\leq 150^{\circ}$ C(rubber $\leq 65^{\circ}$ C)
Working pressure:0.6MPa-4.0MPa(base on diameter)
Protection class:IP65,IP67
Related converter type:MF710/MF720/MF730/MF740/MF760
Output:4-20mA/ frequency/pulse
Power supply: 85-265VAC (50HZ or 60HZ) 24VDC
Installation type: compact,remote

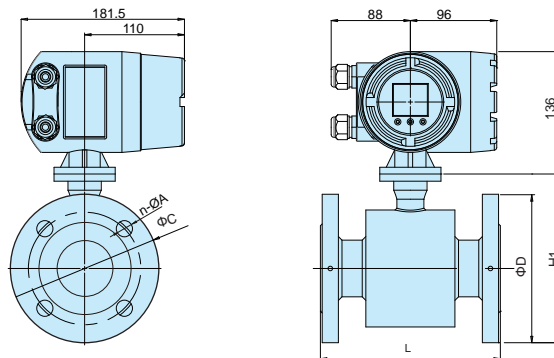
FA external dimensions

Unit (mm)

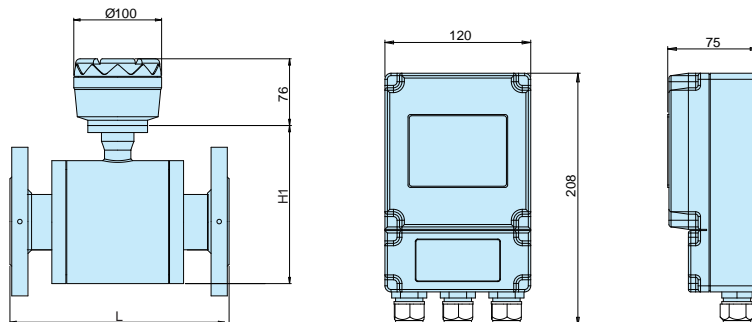
MF710



MF720



MF730



External dimensions for compact and remote type (Base on DN standard)

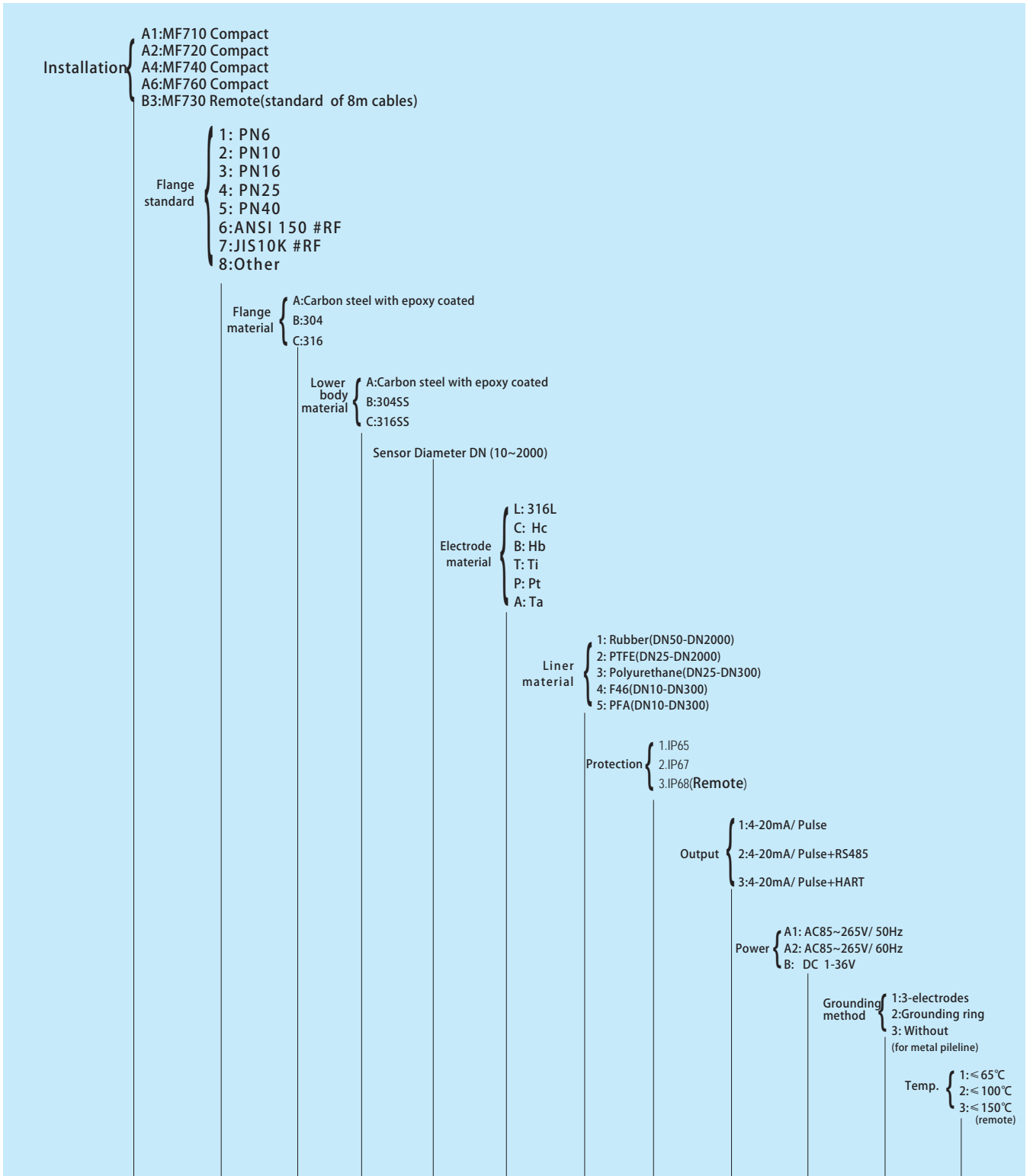
Unit (mm)

DN mm	Working pressure MPa	L	D	C	n-øA	H1	Compact Weights (KG)	Remote Weights (KG)
10	4.0	150	90	60	4-ø14	130	6	4
15		150	95	65	4-ø14	132.5	6	4
20		150	105	75	4-ø14	137.5	8	6
25		150	115	85	4-ø14	145	9	7
32		150	140	100	4-ø18	162.5	11	12
40		150	150	110	4-ø18	172.5	13	14
50		200	165	125	4-ø18	187.5	15	15
65		200	185	145	8-ø18	202.5	16	18
80		200	200	160	8-ø18	220	19	20
100	1.6	250	220	180	8-ø18	230	23	25
125		250	250	210	8-ø18	270	27	29
150		300	285	240	8-ø22	302.5	33	36
200	1.0	350	340	295	8-ø22	352.5	51	49
250		400	395	350	12-ø22	407.5	70	70
300		500	445	400	12-ø22	460	102	100
350		500	505	460	16-ø22	517.5	123	121
400		600	565	515	16-ø26	572.5	147	145
450		600	615	565	20-ø26	622.5	212	207
500		600	670	620	20-ø26	675	229	210
600		600	780	725	20-ø30	745	252	250
700		700	895	840	24-ø30	892	352	350
800		800	1015	950	24-ø33	1002.5	462	460
900		900	1115	1050	28-ø33	1102.5	558	550
1000	0.6	1000	1175	1120	28-ø30	1182.5	690	680
1200		1200	1405	1340	32-ø33	1397.5	785	780
1400		1400	1630	1560	36-ø36	1610	1258	1250
1600		1600	1830	1760	40xø36	1810	1565	1550
1800		1800	2045	1970	44xø39	2017.5	2085	2080
2000		2000	2265	2180	48xø42	2227.5	2605	2600

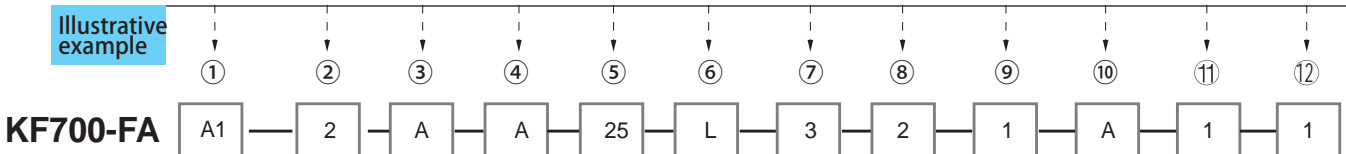
* Note: Please advise standard if need special requirements.

A

KF700-FA How to order



Illustrative example



* Note: MF720, M730 is optional of RS485 or HART protocol

MF730 protection class is optional of IP68, normal standard is IP65 or IP67

* Remark: For remote type, please specify the cable length. standard with 8M

KF700 Series

Intelligent Electromagnetic Flowmeter

Flow Range Chart by Pipe Size

DN (mm)	MIN m ³ /h	Flow Range Selection (m ³ /h)
10	0.08	0.16, 0.2, 0.25, 0.3, 0.4, 0.5, 0.6, 0.8, 1.0, 1.2, 1.6, 2.0, 2.5
15	0.2	0.4, 0.5, 0.6, 0.8, 1.0, 1.2, 1.6, 2.0, 2.5, 3.0, 4.0, 5.0, 6.0
20	0.3	0.6, 0.8, 1.0, 1.2, 1.6, 2.0, 2.5, 3.0, 4.0, 5.0, 6.0, 8.0, 10.0
25	0.5	1.0, 1.2, 1.6, 2.0, 2.5, 3.0, 4.0, 5.0, 6.0, 8.0, 10.0, 12.0, 14.0, 16.0
32	0.8	1.6, 2.0, 2.5, 3.0, 4.0, 5.0, 6.0, 8.0, 10.0, 12, 16, 20, 25
40	1.2	2.5, 3.0, 4.0, 5.0, 6.0, 8.0, 10.0, 12, 16, 20, 25, 30, 40
50	2	4.0, 5.0, 6.0, 8.0, 10, 12, 16, 20, 25, 30, 40, 50, 60, 70
65	3.5	6.0, 8.0, 10, 12, 16, 20, 25, 30, 40, 50, 60, 80, 100, 120
80	5	10, 12, 16, 20, 25, 30, 40, 50, 60, 80, 100, 120, 160
100	8	16, 20, 25, 30, 40, 50, 60, 80, 100, 120, 160, 200, 250
125	12	25, 30, 40, 50, 60, 80, 100, 120, 160, 200, 250, 300, 400
150	18	40, 50, 60, 80, 100, 120, 160, 200, 250, 300, 400, 500, 600
200	30	60, 80, 100, 120, 160, 200, 250, 300, 400, 500, 600, 800, 1000
250	50	100, 120, 160, 200, 250, 300, 400, 500, 600, 800, 1000, 1200, 1600
300	70	160, 200, 250, 300, 400, 500, 600, 800, 1000, 1200, 1600, 2000, 2500
350	100	200, 250, 300, 400, 500, 600, 800, 1000, 1200, 1600, 2000, 2500, 3000
400	120	250, 300, 400, 500, 600, 800, 1000, 1200, 1600, 2000, 2500, 3000, 4000
450	160	300, 400, 500, 600, 800, 1000, 1200, 1600, 2000, 2500, 3000, 4000, 5000
500	200	400, 500, 600, 800, 1000, 1200, 1600, 2000, 2500, 3000, 4000, 5000, 6000
600	300	600, 800, 1000, 1200, 1600, 2000, 2500, 3000, 4000, 5000, 6000, 10000
700	400	800, 1000, 1200, 1600, 2000, 2500, 3000, 4000, 5000, 6000, 10000, 12000
800	500	1000, 1200, 1600, 2000, 2500, 3000, 4000, 5000, 6000, 10000, 12000, 16000
900	650	1200, 1600, 2000, 2500, 3000, 4000, 5000, 6000, 8000, 10000, 12000, 16000, 18000
1000	800	1600, 2000, 2500, 3000, 4000, 5000, 6000, 10000, 12000, 16000, 20000
1200	1200	2500, 3000, 4000, 5000, 6000, 8000, 10000, 12000, 16000, 20000, 25000, 30000
1400	1500	3000, 4000, 5000, 6000, 8000, 10000, 12000, 16000, 20000, 25000, 30000, 40000
1600	2000	4000, 5000, 6000, 8000, 10000, 12000, 16000, 20000, 25000, 30000, 40000, 50000, 60000
1800	2500	5000, 6000, 8000, 10000, 12000, 16000, 20000, 25000, 30000, 40000, 50000, 60000
2000	3000	6000, 8000, 10000, 12000, 16000, 20000, 25000, 30000, 40000, 50000, 60000, 80000, 100000

Note: The flow in blue colour with more high accuracy for each diameters.

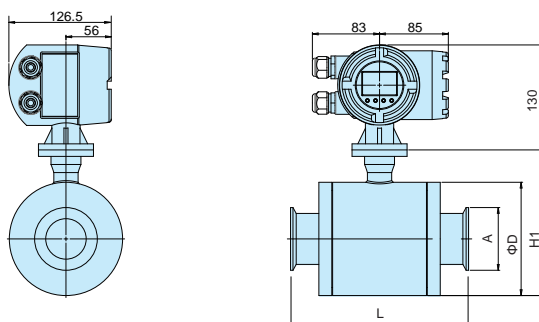
A



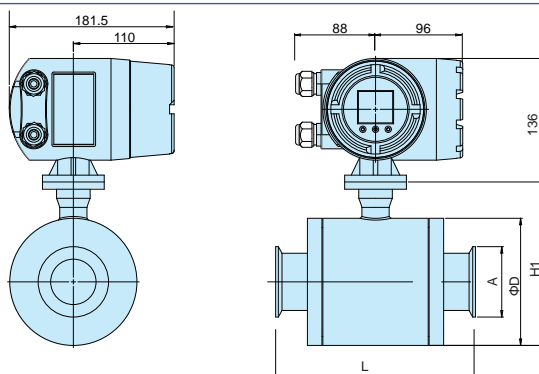
Performance Feature

Diameter: DN25mm-DN100
 Electrode: 316L, Hc, Ti, Ta, Pt
 Liner: PTFE, PFA
 Medium: conductivity liquids
 Medium conductivity: $\geq 20 \mu \text{ s/cm}$
 Accuracy: $\pm 0.5\% \text{ RS}$ - $\pm 1.0\% \text{ RS}$
 Velocity of flow: 0.1m/s- 10m/s
 Working temperature: compact $\leq 100^\circ \text{C}$, remote $\leq 150^\circ \text{C}$
 Power supply: 85~265VAC (50HZ or 60HZ) / 24VDC
 Related converter type: MF710/MF720/MF730/MF750/MF760
 Installation type: compact, remote
 Connection standard: DIN

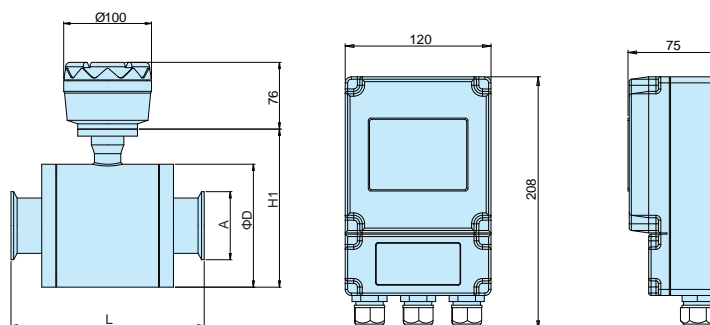
MF710
External dimensions(mm)



MF720
External dimensions(mm)



MF730
External dimensions(mm)



KA Series

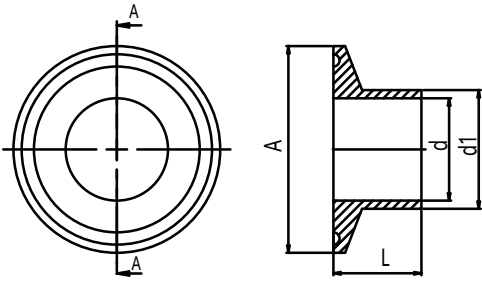
Electromagnetic Flowmeter Sensors (Tri-clamp)

KA External Dimensions

Unit: mm

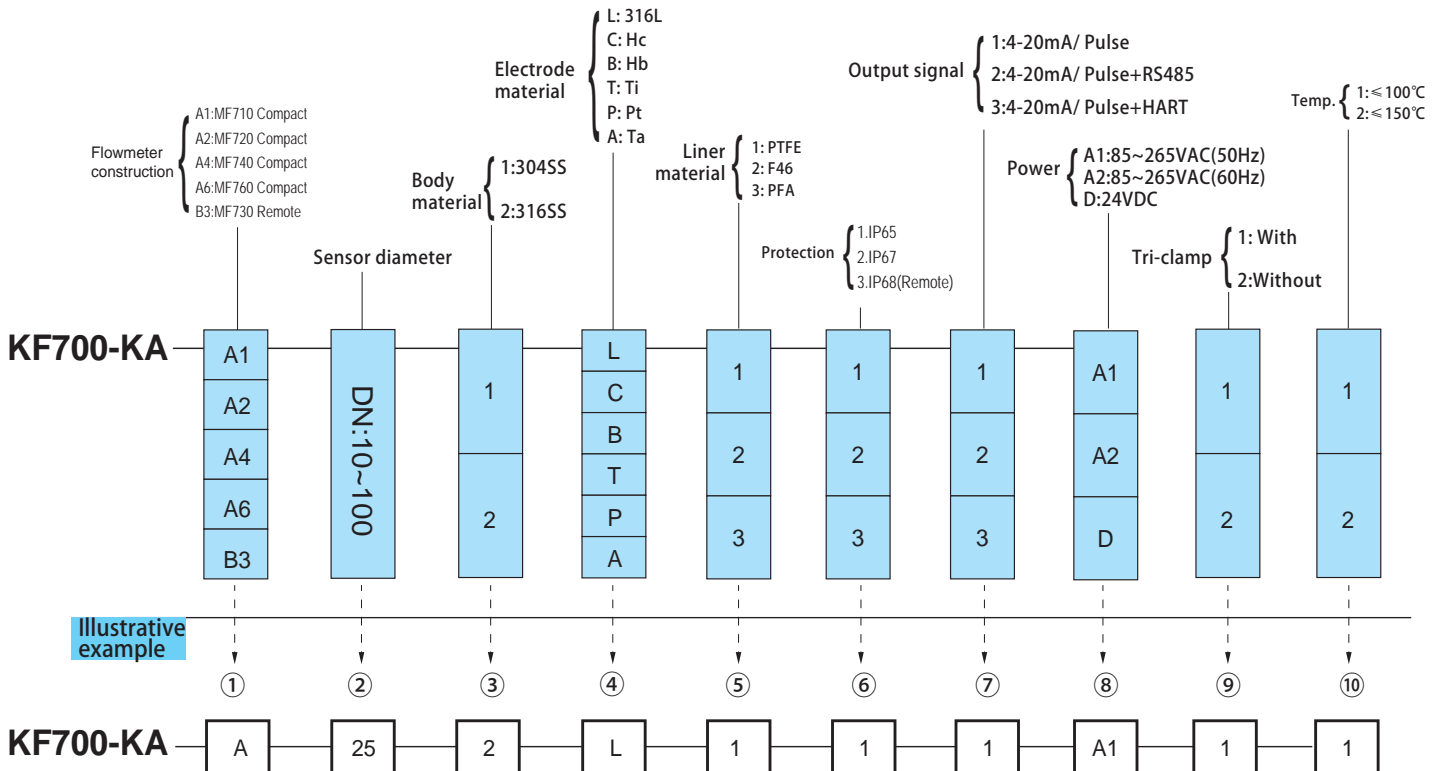
DN	L	D	H1	A
10	180	91	130	50.5
15	180	91	130	50.5
20	180	91	130	50.5
25	180	91	130	50.5
32	190	105	145	50.5
40	200	120	165	64
50	220	140	180	77.5
65	230	150	190	91
80	250	160	200	106
100	270	190	230	119

DN	A	d1	d	L
10	34	13	10	21.5
15	34	19.5	15	21.5
20	50.5	23	1.5	21.5
25	50.5	29	1.5	21.5
32	50.5	35	1.5	21.5
40	64	41	1.5	21.5
50	77.5	53	1.5	21.5
65	91	70	2	21.5
80	106	85	2	21.5
100	119	104	2	28



Note: Special requirements need advise size of A and d1

KF700-KA How to order



* Note: MF720, M730 is optional of RS485 or HART protocol

MF730 protection class is optional of IP68, normal standard is IP65 or IP67

* Remark: For remote type, please specify the special cable length(Standard is 8M).

A

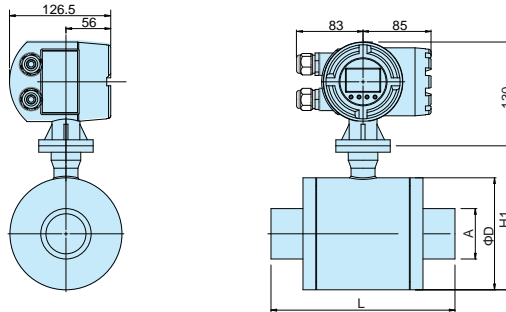


Performance Feature

Diameter: DN10mm-DN100
 Electrode: 316L,Hc,Ti,Ta,Pt
 Liner: PTFE,PFA
 Medium: conductivity liquids
 Medium conductivity : $\geq 5\mu$ s/cm
 Accuracy: $\pm 0.5\%$ RS- $\pm 1.0\%$ RS
 Velocity of flow: 0.1m/s- 10m/s
 Working temperature:compact $\leq 100^{\circ}\text{C}$,remote $\leq 150^{\circ}\text{C}$
 Working pressure:1.0MPa
 Related converter type:MF710/MF720/MF730/MF750/MF760
 Connection standard:BSP
 Power supply: 85~265VAC (50HZ or 60HZ) /24VDC
 Installation type: compact, remote

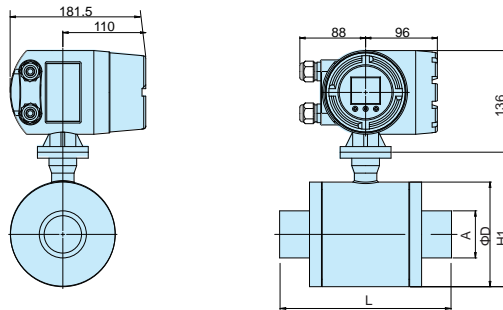
MF710

External dimensions(mm)



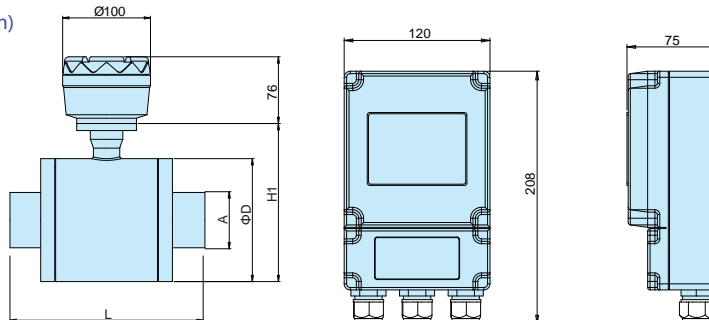
MF720

External dimensions(mm)



MF730

External dimensions(mm)

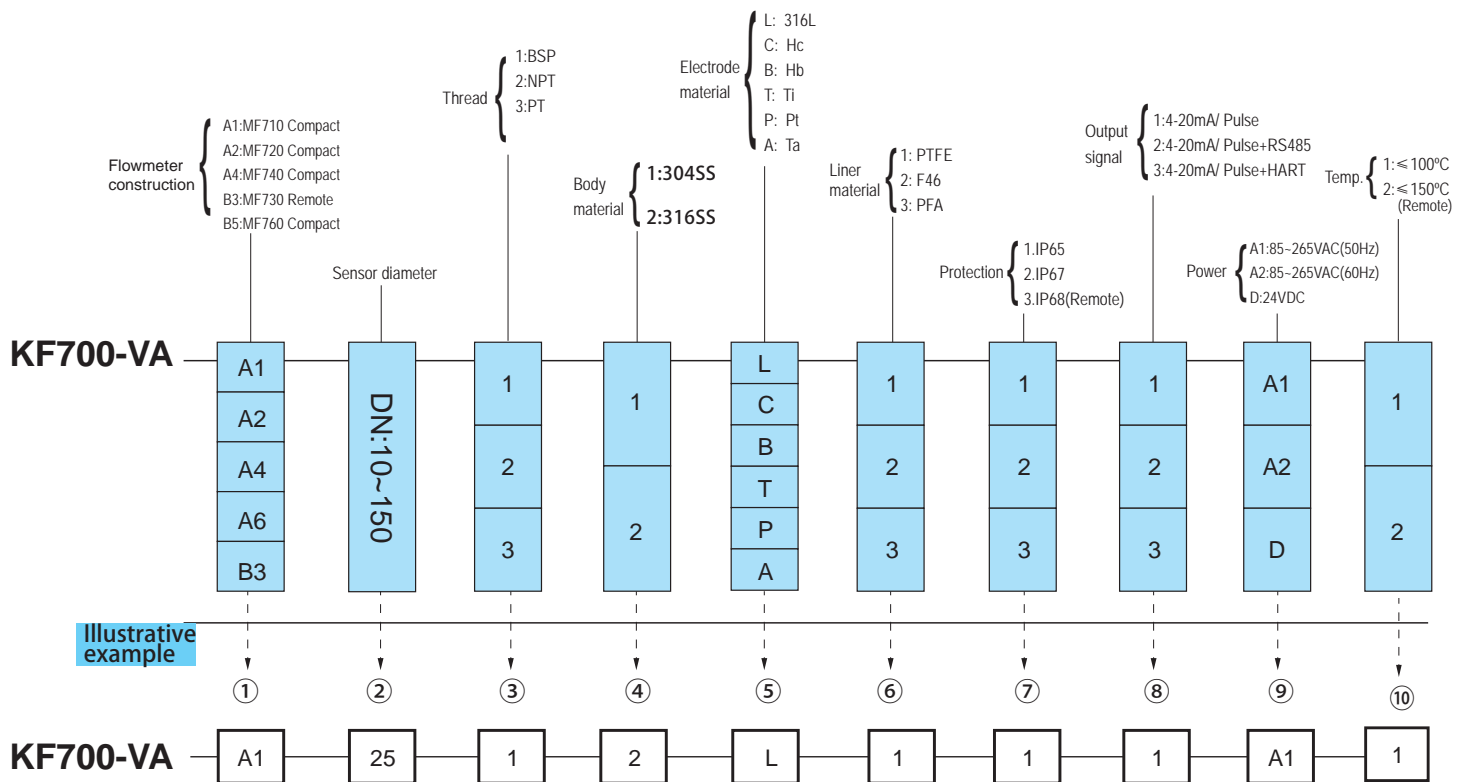


VA Series

Electromagnetic Flowmeter Sensors (Thread Type)

VA External Dimensions				Unit: mm
DN	L	D	H1	A(BSP)
10	190	91	130	3/8"
15	190	91	130	1/2"
20	190	91	130	3/4"
25	190	91	130	1"
32	200	105	145	1 1/4"
40	220	120	160	1 1/2"
50	230	140	180	2"
65	240	150	190	2 1/2"
80	250	160	200	3"
100	270	190	230	4"

KF700-VA How to order



* Note: MF720, M730 is optional of RS485 or HART protocol

MF730, MF750 protection class is optional of IP68, normal standard is IP65 or IP67

* Remark: For remote type, please specify the cable length(Standard is 8M).



Performance Feature

Diameter: DN25mm-DN150

Electrode: 316L,Hc,Ti,Ta,Pt

Liner: PTFE,PFA

Medium: conductivity liquids

Medium conductivity : $\geq 5\mu$ s/cm

Accuracy: $\pm 0.25\%RS, \pm 0.5\%RS, \pm 1.0\%RS$

Velocity of flow: 0.1m/s-10m/s

Working temperature: $-25^{\circ}C \sim 150^{\circ}C$

Working pressure: 1.0MPa

Related converter type: MF710/MF720/MF730/MF750/MF760

Connection standard: DIN

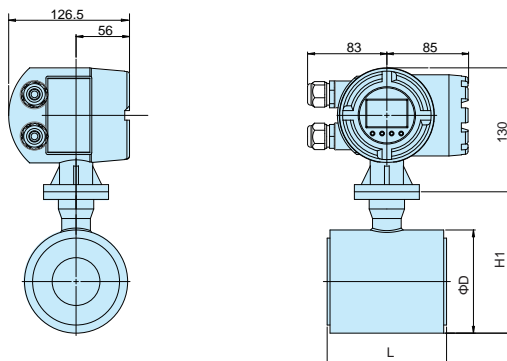
Output: 4-20mA/ frequency/pulse

Power supply: 85~265VAC (50HZ or 60HZ) /24VDC

Installation type: compact, remote

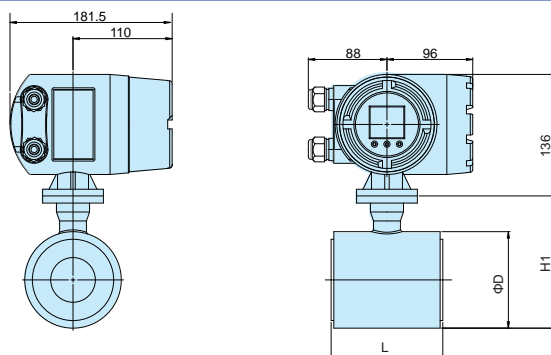
MF710

External dimensions(mm)



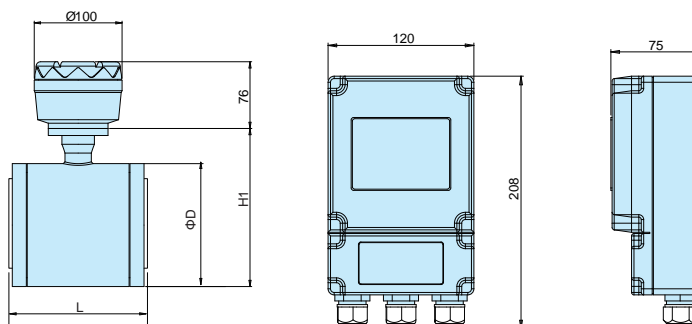
MF720

External dimensions(mm)



MF730

External dimensions(mm)

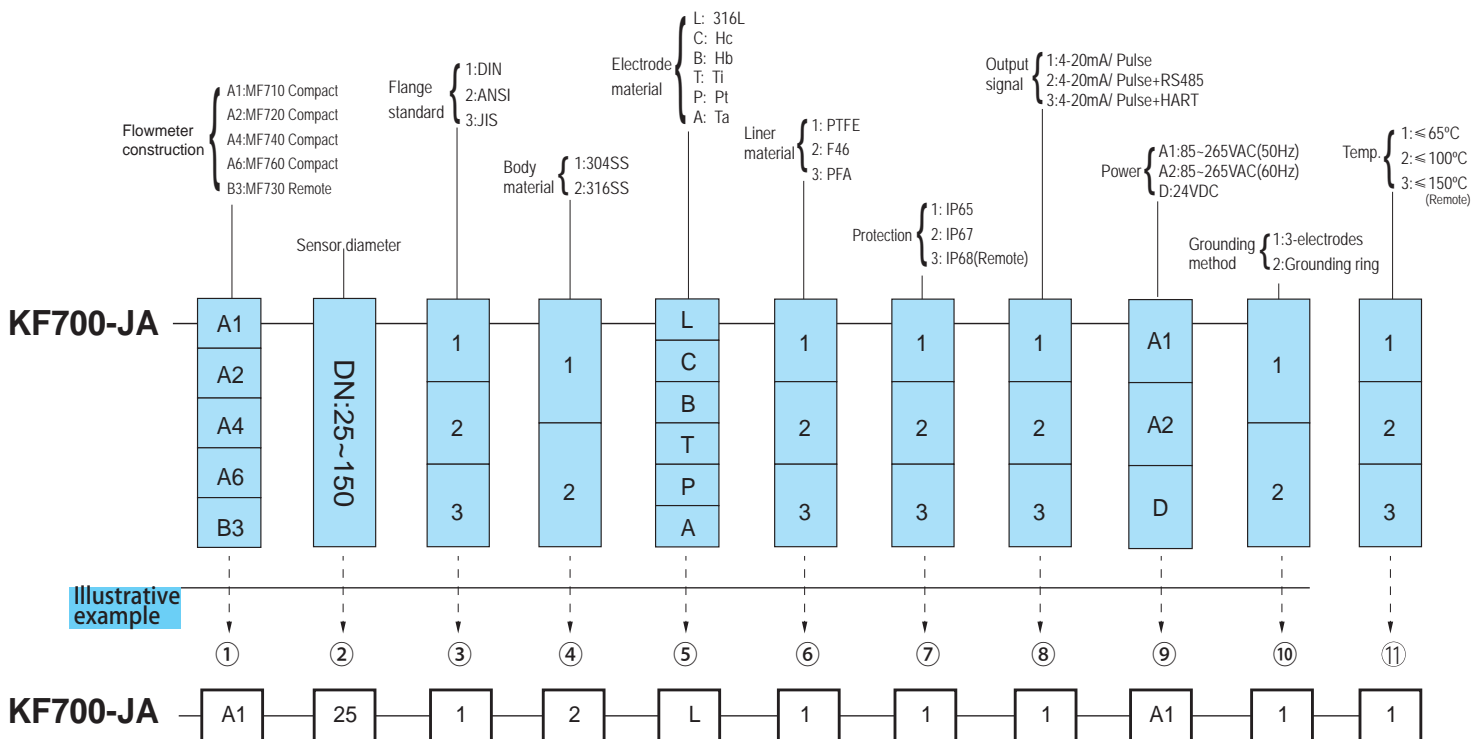


JA Series

Electromagnetic Flowmeter Sensors

JA External Dimensions			Unit: mm
DN	L	D	H1
25	90	72	112
32	90	82	122
40	90	92	132
50	125	108	148
65	125	128	168
80	130	142	182
100	160	162	202
125	170	192	232
150	185	219	259

KF700-JA How to order



* Remark: For remote type, please specify the cable length(Standard is 8M).