

ACRYLIC FLOW METERS

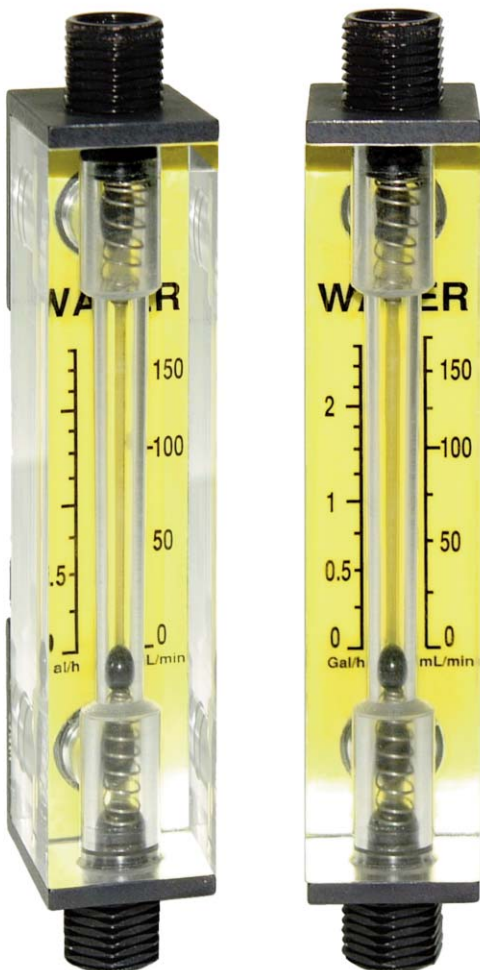
6A01 FEATURES

- ✓ Easy to read English or metric scales.
- ✓ Interchangeable scales, for routine gases.
- ✓ Customer convertible panel to partial or full in-line mounted configurations.
- ✓ Panel mounting by means of hex nuts.
- ✓ Meters are offered with or without built-in low hysteresis needle valves.
- ✓ Easy disassembly and assembly for cleaning.

Superior Quality . . .



**Panel Mounting Meter with
Built In Needle Valve**



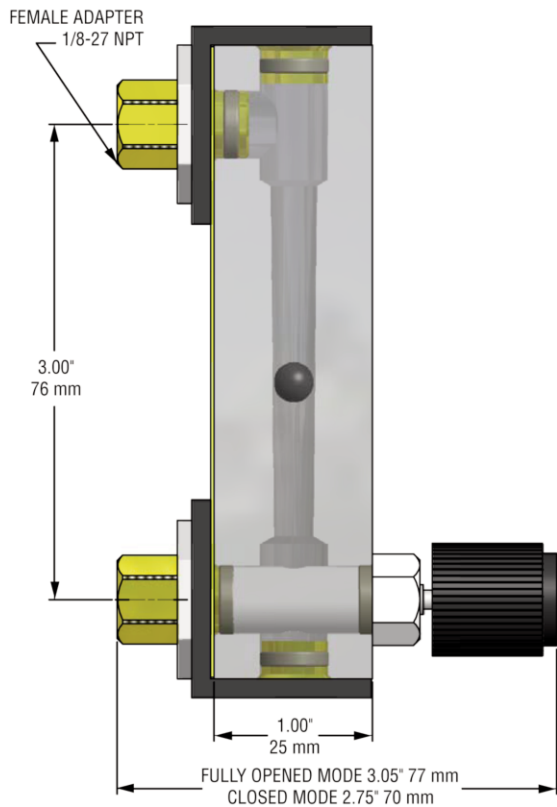
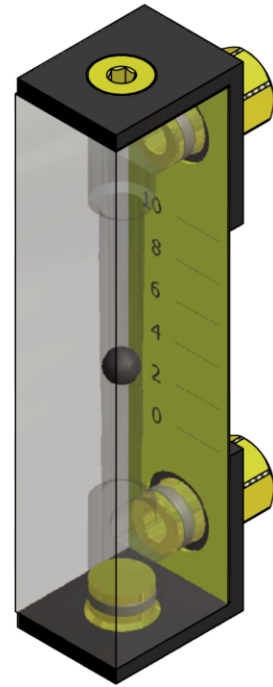
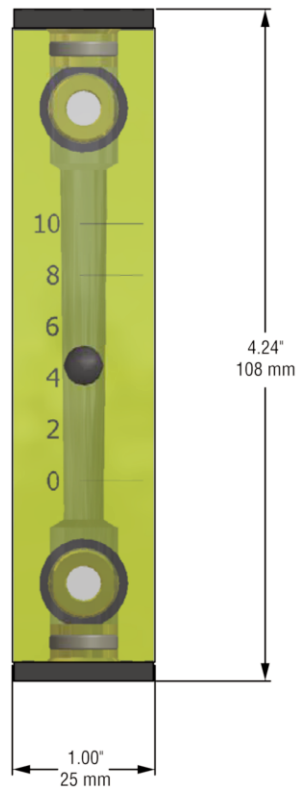
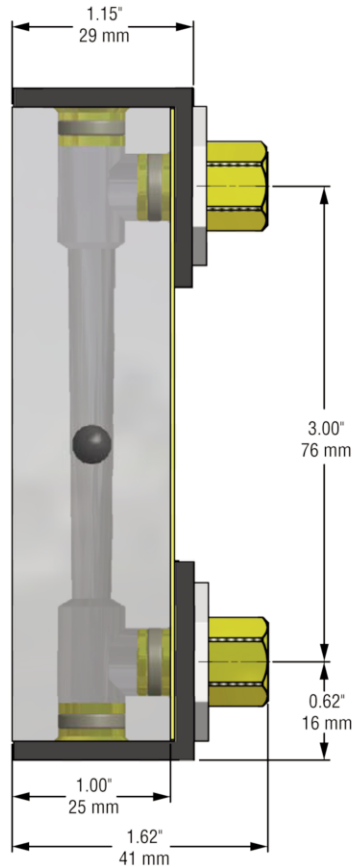
. . . Stable, Easy to Read Float

OPTIONAL PRODUCTS

FLOW METER KITS ARE AVAILABLE WITH DIRECT READING SCALES DISPLAYING:

AIR, WATER, ARGON, NITROGEN, HELIUM, CARBON DIOXIDE, AND OXYGEN IN BOTH ENGLISH AND METRIC UNITS.

ACRYLIC FLOW METERS



*SPECIFICATIONS 6A01

ACCURACY:

± 5% of full scale reading.

MAXIMUM TEMPERATURE:

65°C (150°F).

MAXIMUM PRESSURE:

6.9 bars (100 psig).

METER BLOCK:

Clear machined acrylic.

FLOAT MATERIALS:

Black Glass, Stainless Steel, Tungsten Carbide.

O-RING SEALS:

Viton® with Stainless fittings, Buna-N® with brass fittings.

FITTINGS:

Brass or Stainless 1/8" NPT female connections, built-in needle valves and seal plugs.

* The selection of materials of construction, is the responsibility of the customer. The company accepts no liability.

ACRYLIC FLOW METERS

MODEL 6A01 AIR FLOW METERS WITH DIRECT READING SCALES						
MODEL NO.	FITTING MATERIAL	VALVE OPTION	DUAL SCALE		FLOAT MATERIAL	
			SL/MIN	SCFH		
6A0101BN-AB	BRASS	NO	1.4	2.8	GLASS	
6A0101BV-AB		YES				
6A0101SN-AB	STAINLESS	NO				
6A0101SV-AB		YES				
6A0103BN-AB	BRASS	NO	2.5	5.5	STAINLESS	
6A0103BV-AB		YES				
6A0103SN-AB	STAINLESS	NO				
6A0103SV-AB		YES				
6A0105BN-AB	BRASS	NO	3.5	7.0	CARBOLOY	
6A0105BV-AB		YES				
6A0105SN-AB	STAINLESS	NO				
6A0105SV-AB		YES				
6A0107BN-AB	BRASS	NO	8.5	18.0	GLASS	
6A0107BV-AB		YES				
6A0107SN-AB	STAINLESS	NO				
6A0107SV-AB		YES				
6A0109BN-AB	BRASS	NO	16.0	32.5	STAINLESS	
6A0109BV-AB		YES				
6A0109SN-AB	STAINLESS	NO				
6A0109SV-AB		YES				
6A0111BN-AB	BRASS	NO	22.0	45.0	CARBOLOY	
6A0111BV-AB		YES				
6A0111SN-AB	STAINLESS	NO				
6A0111SV-AB		YES				\$63.00
6A0113BN-AB	BRASS	NO	50.0	100.0	STAINLESS	\$42.00
6A0113BV-AB		YES				
6A0113SN-AB	STAINLESS	NO				\$47.00
6A0113SV-AB		YES				\$63.00

MODEL 6A01 NITROGEN FLOW METERS WITH DIRECT READING SCALES						
MODEL NO.	FITTING MATERIAL	VALVE OPTION	DUAL SCALE		FLOAT MATERIAL	
			SL/MIN	SCFH		
6A0101BN-NC	BRASS	NO	1.3	2.75	GLASS	
6A0101BV-NC		YES				
6A0101SN-NC	STAINLESS	NO				
6A0101SV-NC		YES				
6A0103BN-NC	BRASS	NO	2.5	5.5	STAINLESS	
6A0103BV-NC		YES				
6A0103SN-NC	STAINLESS	NO				
6A0103SV-NC		YES				
6A0105BN-NC	BRASS	NO	3.5	7.5	CARBOLOY	
6A0105BV-NC		YES				
6A0105SN-NC	STAINLESS	NO				
6A0105SV-NC		YES				
6A0107BN-NC	BRASS	NO	8.0	16.0	GLASS	
6A0107BV-NC		YES				
6A0107SN-NC	STAINLESS	NO				
6A0107SV-NC		YES				
6A0109BN-NC	BRASS	NO	16.0	32.5	STAINLESS	
6A0109BV-NC		YES				
6A0109SN-NC	STAINLESS	NO				
6A0109SV-NC		YES				
6A0111BN-NC	BRASS	NO	22.0	45.0	CARBOLOY	
6A0111BV-NC		YES				
6A0111SN-NC	STAINLESS	NO				
6A0111SV-NC		YES				\$63.00
6A0113BN-NC	BRASS	NO	45.0	100.0	STAINLESS	\$42.00
6A0113BV-NC		YES				
6A0113SN-NC	STAINLESS	NO				\$47.00
6A0113SV-NC		YES				\$63.00

MODEL 6A01 OXYGEN FLOW METERS WITH DIRECT READING SCALES						
MODEL NO.	FITTING MATERIAL	VALVE OPTION	DUAL SCALE		FLOAT MATERIAL	
			SL/MIN	SCFH		
6A0101BN-OB	BRASS	NO	1.1	2.5	GLASS	
6A0101BV-OB		YES				
6A0101SN-OB	STAINLESS	NO				
6A0101SV-OB		YES				
6A0103BN-OB	BRASS	NO	2.5	5.0	STAINLESS	
6A0103BV-OB		YES				
6A0103SN-OB	STAINLESS	NO				
6A0103SV-OB		YES				
6A0105BN-OB	BRASS	NO	3.5	7.0	CARBOLOY	
6A0105BV-OB		YES				
6A0105SN-OB	STAINLESS	NO				
6A0105SV-OB		YES				
6A0107BN-OB	BRASS	NO	8.0	16.0	GLASS	
6A0107BV-OB		YES				
6A0107SN-OB	STAINLESS	NO				
6A0107SV-OB		YES				
6A0109BN-OB	BRASS	NO	15.0	30.0	STAINLESS	
6A0109BV-OB		YES				
6A0109SN-OB	STAINLESS	NO				
6A0109SV-OB		YES				
6A0111BN-OB	BRASS	NO	20.0	42.5	CARBOLOY	
6A0111BV-OB		YES				
6A0111SN-OB	STAINLESS	NO				
6A0111SV-OB		YES				\$63.00
6A0113BN-OB	BRASS	NO	45.0	90.0	STAINLESS	\$42.00
6A0113BV-OB		YES				
6A0113SN-OB	STAINLESS	NO				\$47.00
6A0113SV-OB		YES				\$63.00

MODEL 6A01 CARBON DIOXIDE FLOW METERS WITH DIRECT READING SCALES						
MODEL NO.	FITTING MATERIAL	VALVE OPTION	DUAL SCALE		FLOAT MATERIAL	
			SL/MIN	SCFH		
6A0101BN-CA	BRASS	NO	1.1	2.5	GLASS	
6A0101BV-CA		YES				
6A0101SN-CA	STAINLESS	NO				
6A0101SV-CA		YES				
6A0103BN-CA	BRASS	NO	2.0	5.0	STAINLESS	
6A0103BV-CA		YES				
6A0103SN-CA	STAINLESS	NO				
6A0103SV-CA		YES				
6A0105BN-CA	BRASS	NO	3.0	6.5	CARBOLOY	
6A0105BV-CA		YES				
6A0105SN-CA	STAINLESS	NO				
6A0105SV-CA		YES				
6A0107BN-CA	BRASS	NO	7.0	15.0	GLASS	
6A0107BV-CA		YES				
6A0107SN-CA	STAINLESS	NO				
6A0107SV-CA		YES				
6A0109BN-CA	BRASS	NO	12.0	25.0	STAINLESS	
6A0109BV-CA		YES				
6A0109SN-CA	STAINLESS	NO				
6A0109SV-CA		YES				
6A0111BN-CA	BRASS	NO	18.0	37.5	CARBOLOY	
6A0111BV-CA		YES				
6A0111SN-CA	STAINLESS	NO				
6A0111SV-CA		YES				\$63.00
6A0113BN-CA	BRASS	NO	35.0	80.0	STAINLESS	\$42.00
6A0113BV-CA		YES				
6A0113SN-CA	STAINLESS	NO				\$47.00
6A0113SV-CA		YES				\$63.00

ACRYLIC FLOW METERS

MODEL 6A01 ARGON FLOW METERS WITH DIRECT READING SCALES						
MODEL NO.	FITTING MATERIAL	VALVE OPTION	DUAL SCALE		FLOAT MATERIAL	
			SL/MIN	SCFH		
6A0101BN-AE	BRASS	NO	1.0	2.0	GLASS	
6A0101BV-AE		YES				
6A0101SN-AE	STAINLESS	NO				
6A0101SV-AE		YES				
6A0103BN-AE	BRASS	NO	2.0	5.0	STAINLESS	
6A0103BV-AE		YES				
6A0103SN-AE	STAINLESS	NO				
6A0103SV-AE		YES				
6A0105BN-AE	BRASS	NO	3.0	6.5	CARBOLOY	
6A0105BV-AE		YES				
6A0105SN-AE	STAINLESS	NO				
6A0105SV-AE		YES				
6A0107BN-AE	BRASS	NO	7.0	15.0	GLASS	
6A0107BV-AE		YES				
6A0107SN-AE	STAINLESS	NO				
6A0107SV-AE		YES				
6A0109BN-AE	BRASS	NO	13.0	26.0	STAINLESS	
6A0109BV-AE		YES				
6A0109SN-AE	STAINLESS	NO				
6A0109SV-AE		YES				
6A0111BN-AE	BRASS	NO	18.0	37.5	CARBOLOY	
6A0111BV-AE		YES				
6A0111SN-AE	STAINLESS	NO				
6A0111SV-AE		YES				\$63.00
6A0113BN-AE	BRASS	NO	40.0	80.0	STAINLESS	\$42.00
6A0113BV-AE		YES				
6A0113SN-AE	STAINLESS	NO				\$47.00
6A0113SV-AE		YES				\$63.00

MODEL 6A01 WATER FLOW METERS WITH DIRECT READING SCALES						
MODEL NO.	FITTING MATERIAL	VALVE OPTION	DUAL SCALE		FLOAT MATERIAL	
			mL/MIN	GAL/H		
6A0101BN-WA	BRASS	NO	20.0	0.3	GLASS	
6A0101BV-WA		YES				
6A0101SN-WA	STAINLESS	NO				
6A0101SV-WA		YES				
6A0103BN-WA	BRASS	NO	70.0	1.1	STAINLESS	
6A0103BV-WA		YES				
6A0103SN-WA	STAINLESS	NO				
6A0103SV-WA		YES				
6A0105BN-WA	BRASS	NO	100.0	1.5	CARBOLOY	
6A0105BV-WA		YES				
6A0105SN-WA	STAINLESS	NO				
6A0105SV-WA		YES				
6A0107BN-WA	BRASS	NO	175.0	2.75	GLASS	
6A0107BV-WA		YES				
6A0107SN-WA	STAINLESS	NO				
6A0107SV-WA		YES				
6A0109BN-WA	BRASS	NO	450.0	6.5	STAINLESS	
6A0109BV-WA		YES				
6A0109SN-WA	STAINLESS	NO				
6A0109SV-WA		YES				
6A0111BN-WA	BRASS	NO	700.0	11.0	CARBOLOY	\$42.00
6A0111BV-WA		YES				
6A0111SN-WA	STAINLESS	NO				\$47.00
6A0111SV-WA		YES				\$63.00
6A0113BN-WA	BRASS	NO	1400	22.0	STAINLESS	\$42.00
6A0113BV-WA		YES				
6A0113SN-WA	STAINLESS	NO				\$47.00
6A0113SV-WA		YES				\$63.00

MODEL 6A01 HELIUM FLOW METERS WITH DIRECT READING SCALES						
MODEL NO.	FITTING MATERIAL	VALVE OPTION	DUAL SCALE		FLOAT MATERIAL	
			SL/MIN	SCFH		
6A0101BN-HA	BRASS	NO	2.0	4.0	GLASS	
6A0101BV-HA		YES				
6A0101SN-HA	STAINLESS	NO				
6A0101SV-HA		YES				
6A0103BN-HA	BRASS	NO	5.0	10.0	STAINLESS	
6A0103BV-HA		YES				
6A0103SN-HA	STAINLESS	NO				
6A0103SV-HA		YES				
6A0105BN-HA	BRASS	NO	8.0	17.0	CARBOLOY	
6A0105BV-HA		YES				
6A0105SN-HA	STAINLESS	NO				
6A0105SV-HA		YES				
6A0107BN-HA	BRASS	NO	18.0	40.0	GLASS	
6A0107BV-HA		YES				
6A0107SN-HA	STAINLESS	NO				
6A0107SV-HA		YES				
6A0109BN-HA	BRASS	NO	35.0	70.0	STAINLESS	
6A0109BV-HA		YES				
6A0109SN-HA	STAINLESS	NO				
6A0109SV-HA		YES				
6A0111BN-HA	BRASS	NO	55.0	110.0	CARBOLOY	
6A0111BV-HA		YES				
6A0111SN-HA	STAINLESS	NO				
6A0111SV-HA		YES				\$63.00
6A0113BN-HA	BRASS	NO	110.0	250	STAINLESS	\$42.00
6A0113BV-HA		YES				
6A0113SN-HA	STAINLESS	NO				\$47.00
6A0113SV-HA		YES				\$63.00