

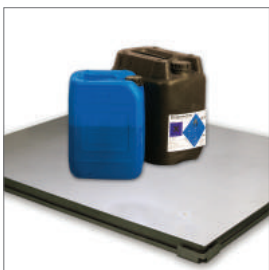
# BP Floor Scales

Easy and fine cleaning, high accuracy



## Designed for wet and hygienic areas

- Lifting top plate supported by hydraulic piston for easy cleaning
- Full stainless steel, IP68 protected
- Compatible with GMP & HACCP production standards, OIML 2 x 3000e multi range approved
- In pit or over surface usage



## Applications

- Weighing in wet and hygienic environments in pharma, food, chemical and cosmetic industries
- Weighing applications need easy and frequent cleaning against hygiene and contamination risks
- SS 316 available on request



## Functionality

- Can be used with various BAYKON indicators or terminals for different applications; basic weighing, formulation, filling, manual check weighing, dynamic weighing, etc.
- Integration to ERP and PLC/ Scada systems via suitable indicators

BAYKON BP scale is low profile, full stainless construction having IP68 protected stainless steel load cells. BP scale is compatible with GMP and HACCP production standards and perfectly fits to wet, hygienic and corrosive industrial areas in pharma, food, chemical and cosmetic industries. Depending on your demands, it can be used in pit or over surface.

Lifting top cover supported hydraulic cylinder enables easy and fine cleaning for weighing applications need frequently cleaning to eliminate hygiene and contamination risks.

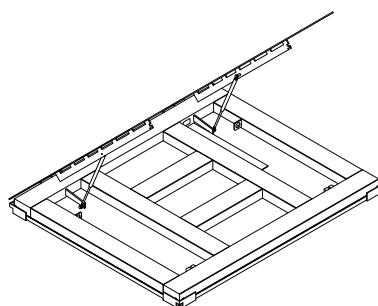
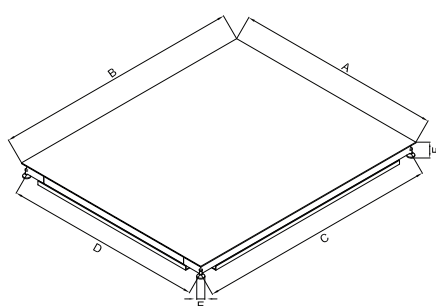
BP scale is compatible with OIML standards and it is produced according to European 2014/31/EU directives up to 2 x 3000e multi range accuracy classes.

## Technical Specifications

Model	Platform Size A x B (mm)	Weighing Capacities			
		300 kg	600 kg	1500 kg	3000 kg
BP 1010	1000 x 1000	●	●	●	
BP 1215	1200 x 1500		●	●	●
BP 1515	1500 x 1500		●	●	●
BPF xxxx (Free size)	Maximum 1500 x 1500	○	○	○	○
<b>Readability</b>					
OIML Approved	Single range	100 g	200 g	500 g	1 kg
	2 x 3000e Multi range	50 / 100 g	100 / 200 g	200 / 500 g	500 g / 1 kg
Non-approved industrial usage (○)		20 g	50 g	100 g	200 g
<b>Measuring Ranges</b>					
Minimum weighing range		2 kg	4 kg	10 kg	20 kg
Repeatability		0,04 kg	0,06 kg	0,15 kg	0,30 kg
Zeroing range		+ / - 6 kg	+ / - 12 kg	+ / - 30 kg	+ / - 60 kg
Taring range		From 0 kg to maximum capacity			
Overload limit (Static)		400 kg	800 kg	1800 kg	3200 kg
<b>Construction</b>					
Platform height		85 mm			
Number of load cells		4			
Material		Standard 304 quality stainless steel, 316 quality is option			
IP protection		IP68			
Number of ramp		Optional			
<b>Indicator</b>					
Specifications		All BAYKON indicators or terminals can be connected. Please refer to the brochure of the weighing instrument for detailed information.			

○ : May change depending on the model selection

## Size(mm)



Platform Model	A	B	C	D	E	F
BP 1010	1000	1000	899	899	∅ 35	85
BP 1215	1250	1500	1149	1399	∅ 35	85
BP 1515	1500	1500	1399	1399	∅ 35	85

## Options



Various type of indicators



Ramps suitable for over surface usage



Wireless connection with peripherals



Data collecting software



Ex-Proof

(Specifications are subject to change without notice. 01- 12 / 2016)

**BAYKON**  
Industrial Weighing Systems

Distributed by

LAMAX COMPANY LIMITED  
Head Office No.49/3 Soi Tiwanon 37, Tiwanon Road,  
Tha sai, Muang Nonthaburi, Nonthaburi 11000 THAILAND  
Tel. +66 2591 1383 Fax. +66 2591 1385 email: info@lamax.co.th

Kimya Sanayicileri O.S.B Organik Cad. No:31  
Tepeoren 34956 Tuzla / Istanbul / TURKEY  
☎ +90 216 593 26 30 📠 +90 216 593 26 38  
✉ info@baykon.com 🌐 baykon.com