

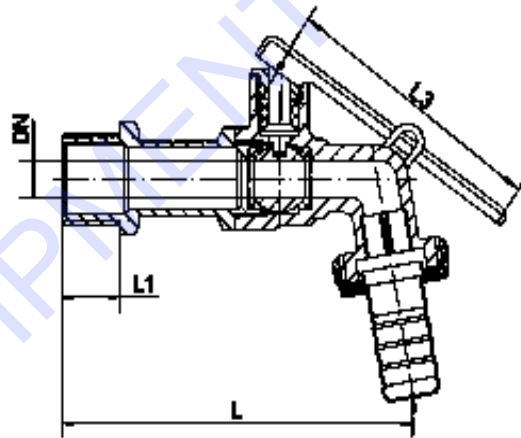
LOCKABLE HOSE BIBCOCK



BRASS LOCKABLE HOSE BIBCOCK SCREWED ENDS

FEATURE AND APPLICATION

- Pipe Thread To ISO228
- Pressure Rating: 232 PSI (16 Bar)
- Applicable Medium : Water, Oil
- Working Temperature: -10 °C To 110 °C
- Screwed end BSPT Connection.
- Stainless steel Hose union
- Lever Lock Handle
- Size Range : 1/2" - 3/4"



Bill of Materials

Seqebsce	Description	Material	Sizes
1	Body	Brass	All
2	Ball	Brass	All
3	Stem	Brass	All
4	Handle	Steel with coating	All
5	Bonnet	Brass	All
6	Nut	Steel	All
7	Hose union	stainless steel	All
8	Ball seat	PTFE	All

Dimensions

mm

DN	INCH	L	H
15	1/2"	87	90.5
20	3/4"	102	90.5

