

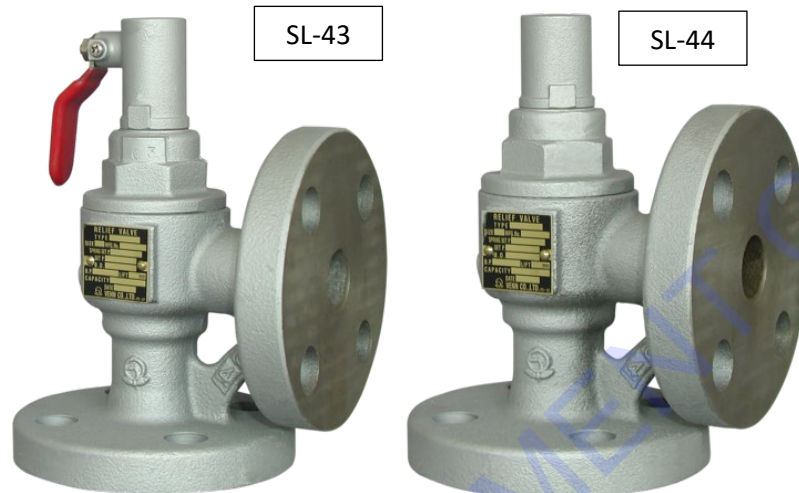
Safety Relief Valve

Model SL-43, SL-44 Type (Lift Type)

(for Pressure Vessels, Secondary Side of Pressure Reducing Valves, etc.)

These safety relief valves are designed as intermediary products with advantages of safety valves mainly used for steam and gases and those for liquids.

Compared with conventional safety valves made of cast iron, these products are shorter in height and therefore lighter in weight (based on in-house data).



Features

- Most parts (excluding main body and spring case) are made of corrosion-resistant stainless steel.
- 22-36% lighter than old models.
- Can be used in the same way as SL-37, 38 Type series. (Parts other than main body, spring case, and valves seat are the same as those of SL-37, 38 Type and have the same performance.)

Specifications

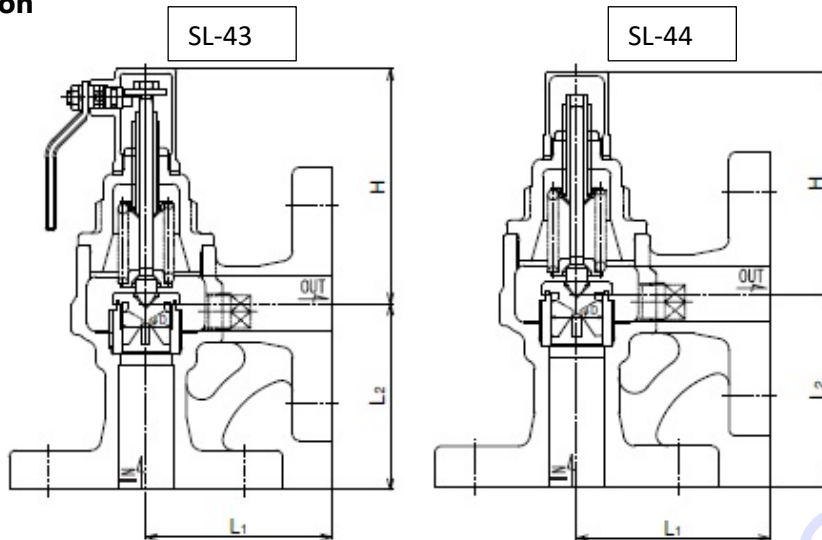
Type	Standard item (Metal seated type)		Soft seat type	
	Model name	SL-43	SL-44	SL-43V
Code name	SL43-G □	SL44-G □	SL43V-G □	SL44V-G □
	Code No. of pressure division is required in □			
Cap type (Closed type)	With lever* ¹	Without lever	With lever	Without lever
Applicable fluid	Steam, gases & liquids* ²		Air, gases & liquids* ²	
Set pressure range	0.05 – 1.0 MPa			
Fluid temperature	Max.150°C (Max.220°C* ¹)	-5 - 184°C	Max. 120 °C	
End connection	Flanged JIS 10KFF			
Materials	Body	Cast iron		
	Disc	Stainless steel		Stainless steel (Disc tip: Synthetic rubber)
Valve body pressure test	Hydraulic 1.5MPa			

*1. Product for steam has open lever and the applicable temperature is up to 220°C.

*2. For applicable in a system that deals with kerosene or solvent, please contact our agents.

*3. Products for fluid temperature up to 220°C are also available.

Dimension



Size	Seat opening dia. D	Effective area (mm ²) $\pi D \ell$	Lift ℓ	Face to Face		Height H		Mass (Kg)	
				L ₁	L ₂	SL-43,43V Type	SL-44,44V Type	SL-43,43V Type	SL-44,44V Type
15 (1/2")	14 (13)	17.5	0.4 (0.43)	70	70	99	89	2.5	2.4
20 (3/4")	19 (18.6)	29.8	0.5 (0.51)	75	75	103	94	3	2.9
25 (1")	23 (21.9)	43.3	0.6 (0.63)	85	85	108	98	4.6	4.5
32 (1 1/4")	32 (29.4)	80.3	0.8 (0.87)	95	90	131	122	6.2	6.1
40 (1 1/2")	40 (36.7)	125.6	1.0 (1.09)	100	95	137	128	7.8	7.7
50 (2")	50 (47.1)	204.1	1.3 (1.38)	110	105	171	158	11.7	11.5

Pressure Division

(MPa)

Code No.	Pressure division
1	0.05 - 0.1
2	Over 0.1 - 0.2
3	Over 0.2 - 0.5
4	Over 0.5 - 1.0