

Safety Relief Valve

Model SL-37, SL-38 (Lift Type)

(for Pressure Vessels, Hot Boilers, Heat Exchangers, Secondary Side of Pressure Reducing Valves, etc.)

Safety relief Valve is a category of valves with functions between those of safety valves, which are mainly for steam and gases, and those of relief valves, which are mainly for liquids.

Safety relief valve can be used for fluid, steam, gas and liquid. The metal-sheet type safety relief valve has simple structure, high corrosion resistance and is made of high-grade materials. It is widely used as safety device for pressure vessels machines / equipment, Hot water boilers, water / hot water supply systems, air conditioning systems and pressure reducing valves.

The soft-sheet type safety relief valve is featured of high airtightness. It is suitable for gases and applications where leakage of valve is not allowed.



Features

- Bronze soring case, Stainless steel seat and disc, Stainless steel spring. A Sealed type safety relief valve with high corrosion resistance.
- Suitable for three fluids, including steam, gas and liquid (mental-sheet type).
- 1-2 sizes smaller and lighter than prior products of the same type.

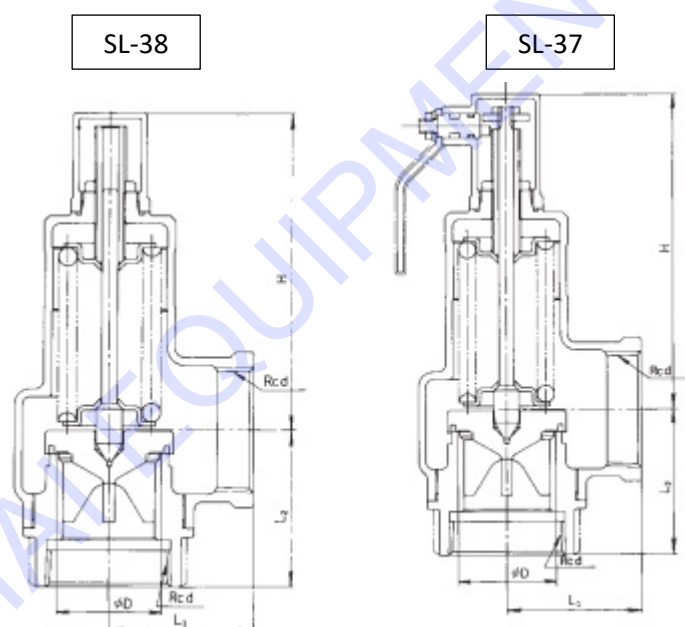
Specifications

Type	Standard item (Metal seated type)		Soft seat type	
	Model name	SL-37	SL-38	SL-37V
Code name	SL37-D □	SL-38D □	SL37V-D □	SL38V-D □
	Code No. of pressure division is required in □			
Cap type (Closed type)	With lever* ¹	Without lever	With lever	Without lever
Applicable fluid	Steam, air, gases & liquids* ²		Air, gases & liquids* ²	
Set pressure range	0.05 – 1.0 MPa			
Applicable temperature	Max.150°C (Max.225°C* ¹)	Max. 225°C	Max. 120 °C	
End connection	Screwed JIS Rc			
Materials	Body	Stainless steel (Spring case: Cast bronze)		
	Disc	Stainless steel	Stainless steel (Disc tip: Synthetic rubber)	
Valve body pressure test	Hydraulic 2.0 MPa			

*1. For steam, the valve is provided with a release lever and can be used at steam temperature up to 225°C.

*2. Contact our local agent for gasoline, kerosene and solvent medium use.

Dimension



Size	Seat opening dia. D	Effective area (mm ²) π D/2	Lift l	Face to Face		Height H		End Connection	Mass (Kg)	
				L ₁	L ₂	SL-37,37V Type	SL-38,38V Type		SL-37,37V Type	SL-38,38V Type
15 (1/2")	14 (13)	17.5	0.4 (0.43)	30	36	94	84	1/2"	0.6	0.5
20 (3/4")	19 (18.6)	29.8	0.5 (0.51)	35	40	99	89	3/4"	0.7	0.6
25 (1")	23 (21.9)	43.3	0.6 (0.63)	40	46	102	92	1"	0.9	0.8
32 (1 1/4")	32 (29.4)	80.3	0.8 (0.87)	50	54	124	114	1 1/4"	1.4	1.3
40 (1 1/2")	40 (36.7)	125.6	1.0 (1.09)	55	60	130	120	1 1/2"	1.9	1.8
50 (2")	50 (47.1)	204.1	1.3 (1.38)	65	73	165	151	2"	3.6	3.4

Pressure Division

(MPa)

Code No.	Pressure division
1	0.05 - 0.1
2	Over 0.1 – 0.2
3	Over 0.2 – 0.5
4	Over 0.5 – 1.0