

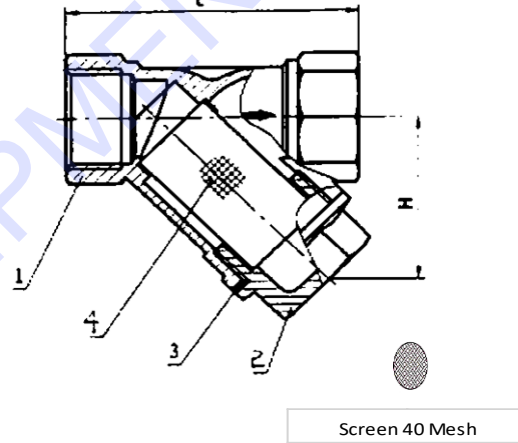
# STRAINER



## BRASS SWING CHECK VALVE SCREWED ENDS

### FEATURE AND APPLICATION

- Pipe Thread To ISO228
- Cleaning of screen without disassembling
- Y-Pattern body design
- Screen stainless steel
- Screwed cap
- Applicable Medium : Water, Oil, Gas , Air
- Screwed end BSPT Connection
- Max.Working Pressure : 232 PSI (16 Bar)
- Max.Working Temperature : -10 °C To 120 °C
- Size Range : 1/2" - 4"



### Bill of Materials

Seqebsce	Description	Material	Sizes
1	Body	Brass CW617N	All
2	Cap	Brass CW617N	All
3	Gasket	P.T.F.E	All
4	Screen	Stainless Steel Type304	All

### Dimensions

		mm	
DN	INCH	L	H
15	1/2"	54	33
20	3/4"	63	36
25	1"	73	42
32	1-1/4"	88.5	51
40	1-1/2"	95	52
50	2"	113	68
65	2-1/2"	128	87
80	3"	145	102
100	4"	175	128



Strainer

